



Dual Polarized Horn Antenna
15 dBi Gain, 75GHz-110GHz Frequency Range

Dual Polarized Horn Antenna Data

MT-DPHA75110-15

Features

- Full Band Performance
- Dual Polarization
- High Isolation
- Precisely Machined and Gold Plated

Description

The **MT-DPHA75110-15** from Microtech is a full-band, dual-polarized, WR-10 horn antenna assembly that operates in the frequency range of 75 GHz to 110 GHz. The antenna features an integrated orthogonal mode converter that provides high port isolation. The MT-DPHA75110-15 supports vertical and horizontal waveguide orientations and has a typical 40 dB cross-polarization suppression, a nominal gain of 15 dBi at the center frequency, a typical 3db beamwidth of 28 degrees in the E-plane, a typical 3db beamwidth of 33 degrees in the H-plane. The input to the antenna is a WR-10 waveguide with a UG-387/U-M threaded flange.

Specifications

MT-DPHA75110-15		
Item	Specification	Units
Frequency Range	75-110	GHz
Gain	15	dBi
VSWR	1.4:1	
Polarization	Dual	
Horizontal 3dB Beam Width	33	Degrees
Vertical 3dB Beam Width	22	Degrees
Port Isolation	45	dB
Waveguide Size	WR-10	
Flange Designation	UG-387/U-Mod	g
Size	27.90*52.20	mm
Weight	77	g
Body Material and Finish	Cu, Gold	

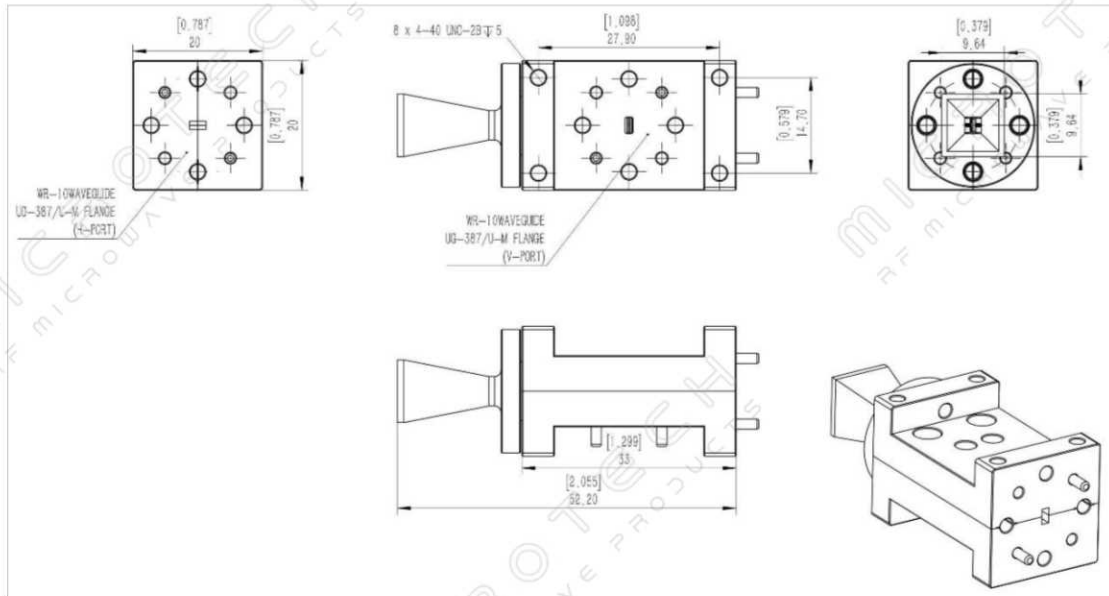


Dual Polarized Horn Antenna
15 dBi Gain, 75GHz-110GHz Frequency Range

Dual Polarized Horn Antenna Data

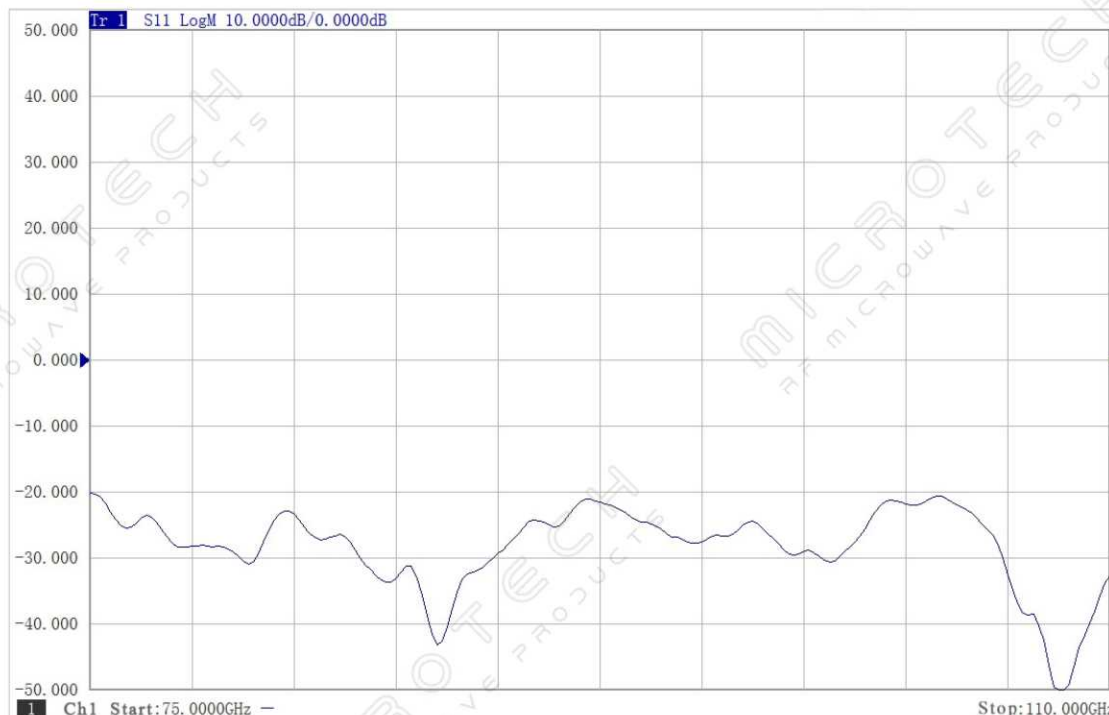
MT-DPHA75110-15

Outline Drawing



Testing Result

VSWR



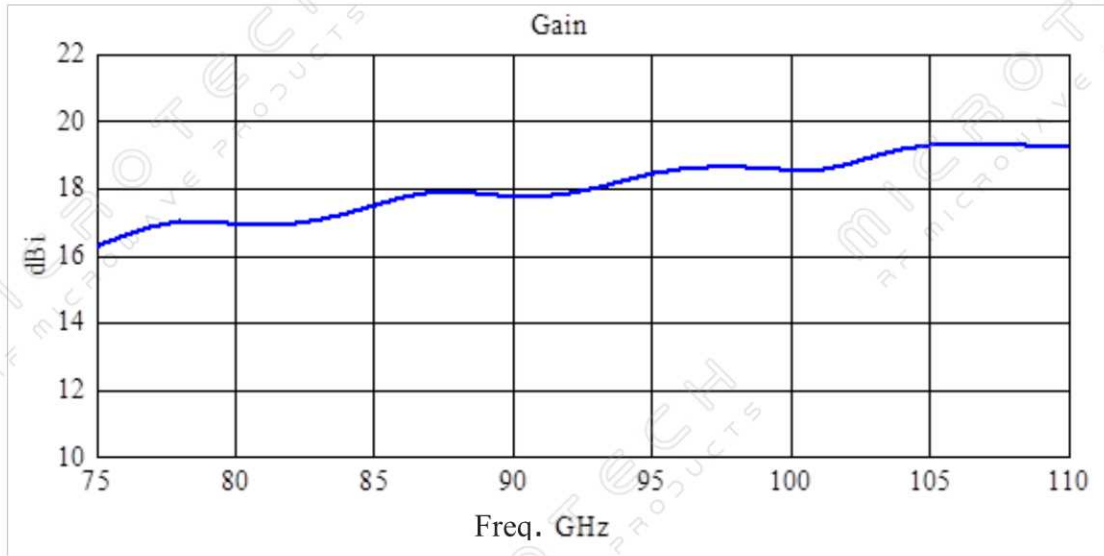


Dual Polarized Horn Antenna
15 dBi Gain, 75GHz-110GHz Frequency Range

Dual Polarized Horn Antenna Data

MT-DPHA75110-15

Simulated Data

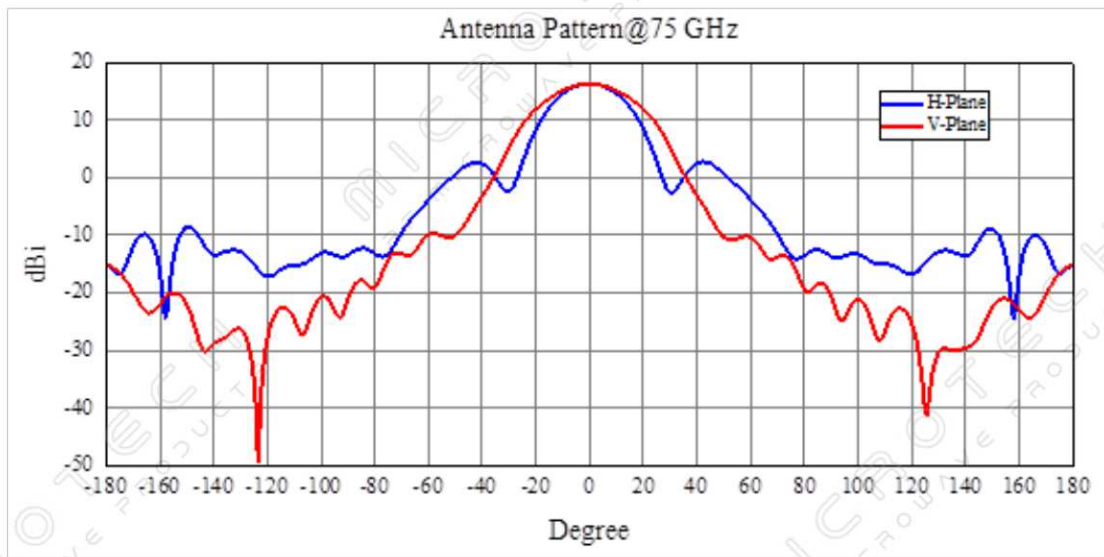
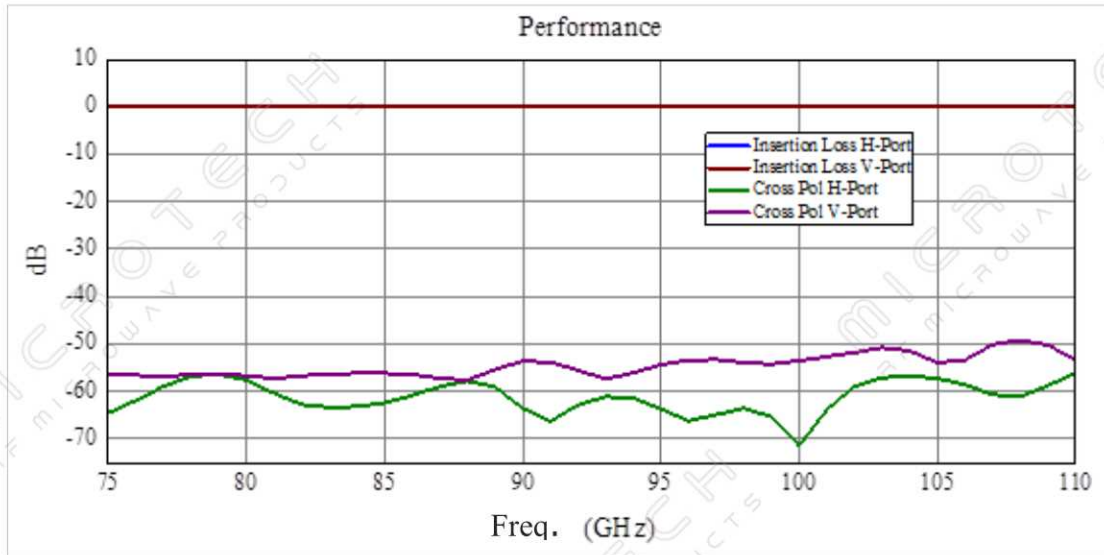




Dual Polarized Horn Antenna
15 dBi Gain, 75GHz-110GHz Frequency Range

Dual Polarized Horn Antenna Data

MT-DPHA75110-15





Dual Polarized Horn Antenna
15 dBi Gain, 75GHz-110GHz Frequency Range

Dual Polarized Horn Antenna Data

MT-DPHA75110-15

