



**Waveguide Probe Antenna Data Sheet**

**MT-WPA10-8**

**Features**

- WR-10 Rectangular Waveguide Interface
- Linear Polarization
- High Return Loss
- Precisely Machined and Gold Plated

**Description**

The **MT-WPA10-8** from Microtech is W-Band probe antenna that operates from 75GHz to 110GHz. The antenna offers 8 dBi nominal gain and 115 degrees typical 3dB beam width on the E-Plane and 60 degrees typical 3dB width on the H-Plane. The antenna supports linear polarized waveforms. The input of this antenna is a WR-10 waveguide with a UG-387/U-M flange.

**Specifications**

<b>MT-WPA10-8</b>		
Item	Specification	Units
Frequency Range	75-110	GHz
Gain	8	dBi
VSWR	1.5:1	
Polarization	Linear	
Horizontal 3dB Beam Width	60	Degrees
Vertical 3dB Beam Width	115	Degrees
Waveguide Size	WR-10	
Flange Designation	UG-387/U-Mod	
Size	Φ19.05*25.40	mm
Weight	10	g
Body Material	Cu	
Surface Treatment	Gold	

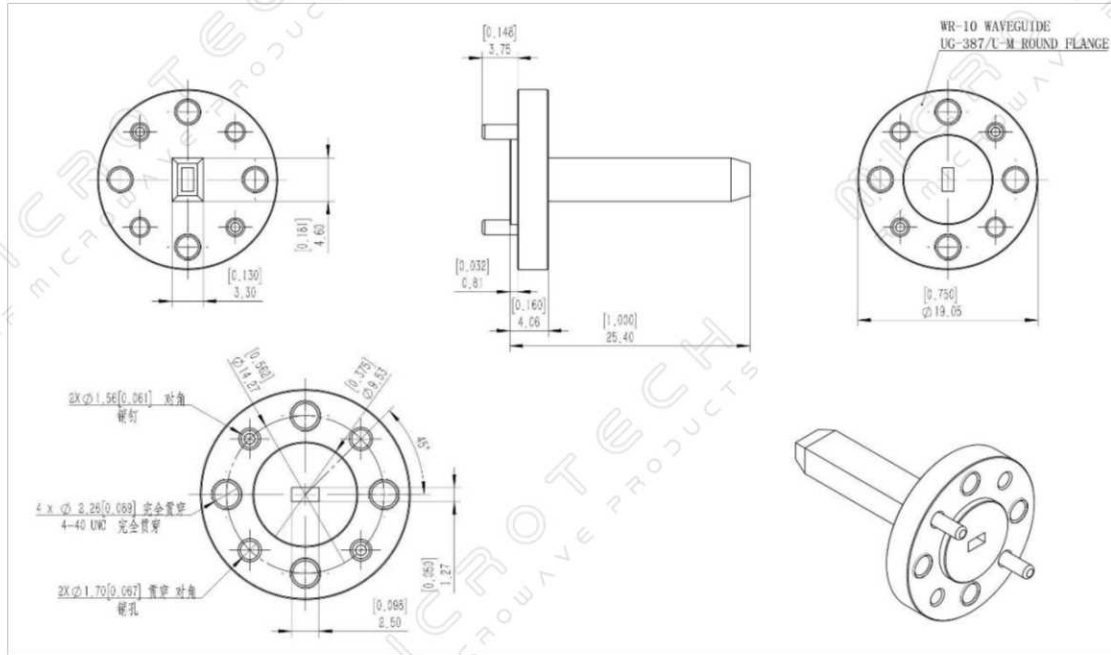
Waveguide Probe Antenna  
8 dBi Gain, 75GHz-110GHz Frequency Range



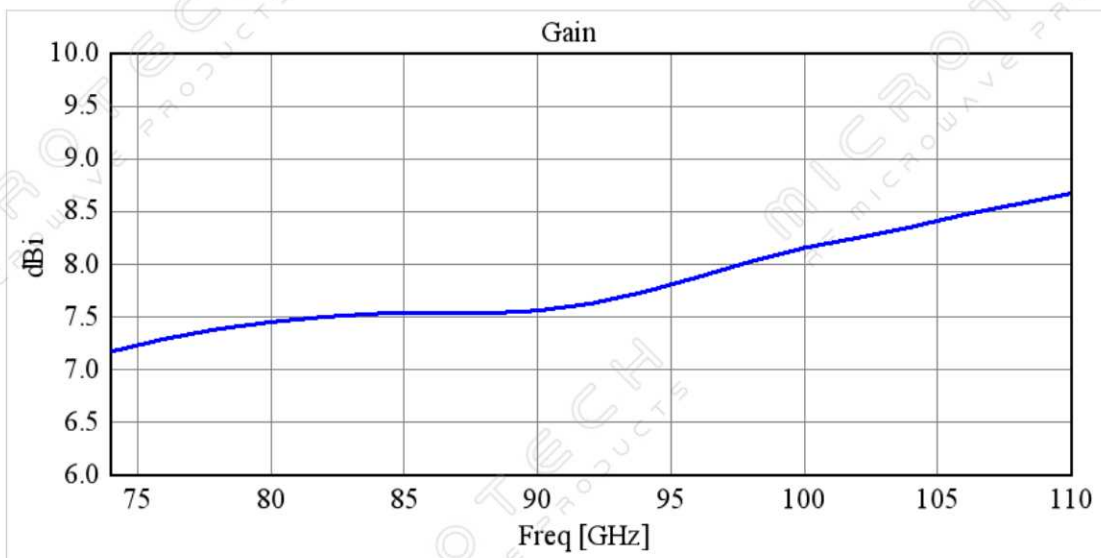
**Waveguide Probe Antenna Data Sheet**

**MT-WPA10-8**

**Outline Drawing**



**Simulated Data**





Waveguide Probe Antenna  
8 dBi Gain, 75GHz-110GHz Frequency Range

**Waveguide Probe Antenna Data Sheet**

**MT-WPA10-8**

