



Waveguide Probe Antenna
8 dBi Gain, 26.5GHz-40GHz Frequency Range

Waveguide Probe Antenna Data Sheet

MT-WPA28-8

Features

- WR-28 Rectangular Waveguide Interface
- Linear Polarization
- High Return Loss
- Precisely Machined and Gold Plated

Description

The **MT-WPA28-8** from Microtech is Ka-Band probe antenna that operates from 26.5GHz to 40GHz. The antenna offers 8 dBi nominal gain and 115 degrees typical 3dB beam width on the E-Plane and 60 degrees typical 3dB width on the H-Plane. The antenna supports linear polarized waveforms. The input of this antenna is a WR-28 waveguide with a UG-599/U flange.

Specifications

MT-WPA28-8		
Item	Specification	Units
Frequency Range	26.5-40	GHz
Gain	8	dBi
VSWR	1.5:1	
Polarization	Linear	
Horizontal 3dB Beam Width	60	Degrees
Vertical 3dB Beam Width	115	Degrees
Waveguide Size	WR-28	
Flange Designation	UG-599/U	
Size	Φ19.10*71.10	mm
Weight	27	g
Body Material	Cu	
Surface Treatment	Gold	

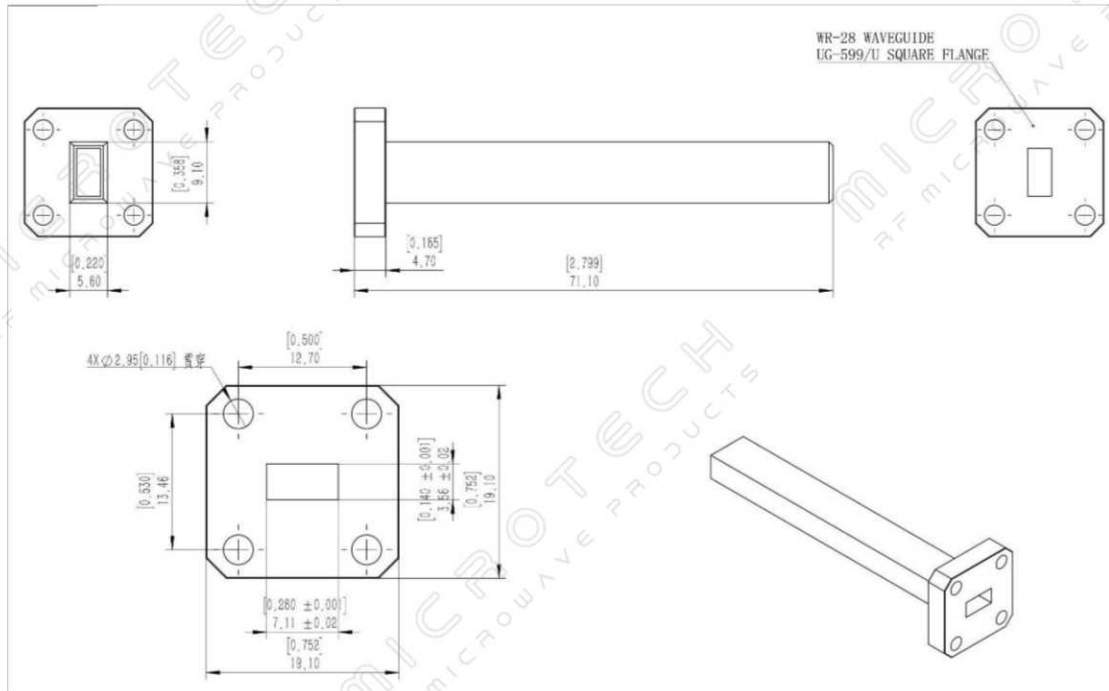


Waveguide Probe Antenna
8 dBi Gain, 26.5GHz-40GHz Frequency Range

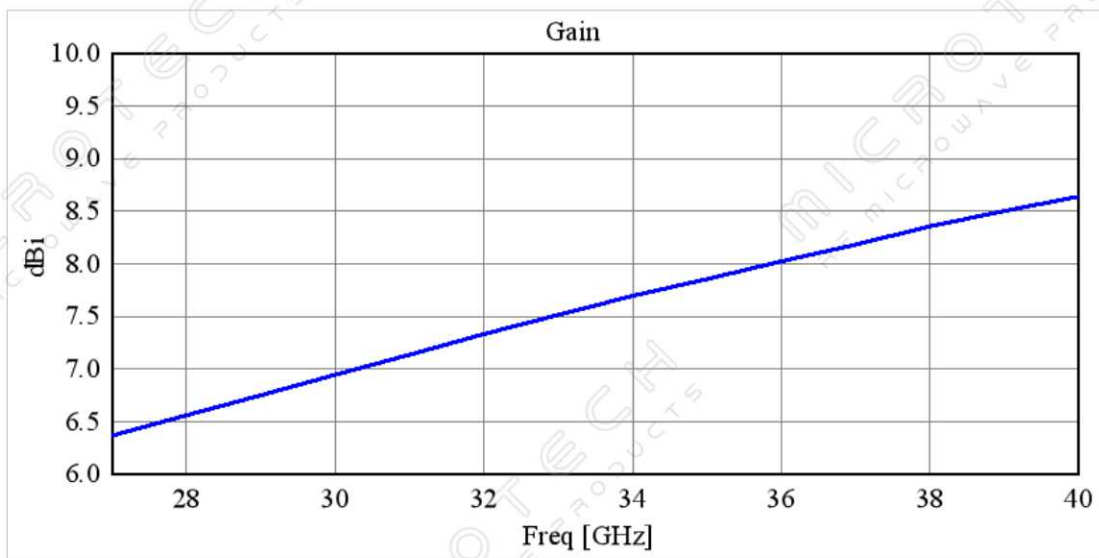
Waveguide Probe Antenna Data Sheet

MT-WPA28-8

Outline Drawing



Simulated Data





Waveguide Probe Antenna
8 dBi Gain, 26.5GHz-40GHz Frequency Range

Waveguide Probe Antenna Data Sheet

MT-WPA28-8

