



## Waveguide Probe Antenna Data Sheet

**MT-WPA6-8**

### Features

- WR-6 Rectangular Waveguide Interface
- Linear Polarization
- High Return Loss
- Precisely Machined and Gold Plated

### Description

The **MT-WPA6-8** from Microtech is D-Band probe antenna that operates from 110GHz to 170GHz. The antenna offers 8 dBi nominal gain and 115 degrees typical 3dB beam width on the E-Plane and 55 degrees typical 3dB width on the H-Plane. The antenna supports linear polarized waveforms. The input of this antenna is a WR-6 waveguide with a UG-387/U-M flange.

### Specifications

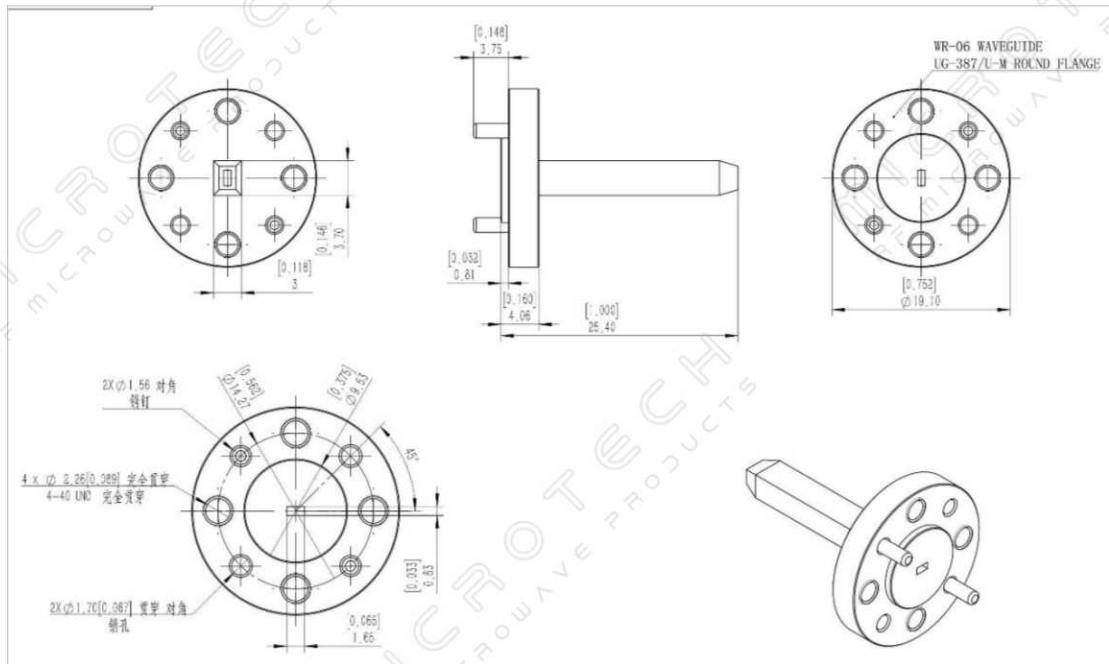
MT-WPA6-8		
Item	Specification	Units
Frequency Range	110-170	GHz
Gain	8	dBi
VSWR	1.5:1	
Polarization	Linear	
Horizontal 3dB Beam Width	60	Degrees
Vertical 3dB Beam Width	115	Degrees
Waveguide Size	WR-6	
Flange Designation	UG-387/U-Mod	
Size	Φ19.1*25.4	mm
Weight	9	g
Body Material	Cu	
Surface Treatment	Gold	



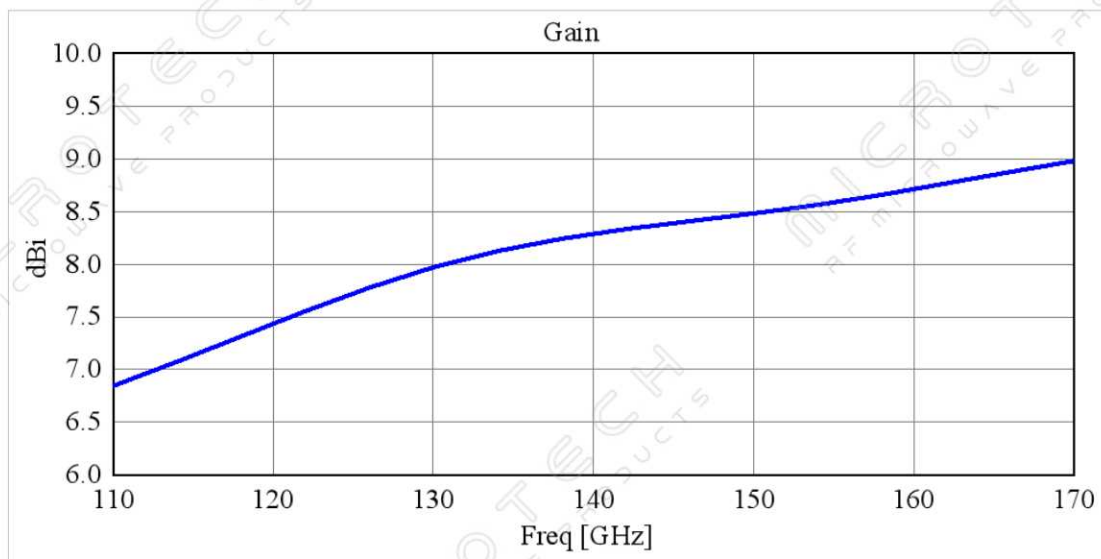
**Waveguide Probe Antenna Data Sheet**

**MT-WPA6-8**

**Outline Drawing**



**Simulated Data**





Waveguide Probe Antenna  
8 dBi Gain, 110GHz-170GHz Frequency Range

**Waveguide Probe Antenna Data Sheet**

**MT-WPA6-8**

