



Waveguide Probe Antenna Data Sheet

MT-WPA8-8

Features

- WR-8 Rectangular Waveguide Interface
- Linear Polarization
- High Return Loss
- Precisely Machined and Gold Plated

Description

The **MT-WPA8-8** from Microtech is F-Band probe antenna that operates from 90GHz to 140GHz. The antenna offers 8 dBi nominal gain and 115 degrees typical 3dB beam width on the E-Plane and 60 degrees typical 3dB width on the H-Plane. The antenna supports linear polarized waveforms. The input of this antenna is a WR-8 waveguide with a UG-387/U-M flange.

Specifications

MT-WPA8-8		
Item	Specification	Units
Frequency Range	90-140	GHz
Gain	8	dBi
VSWR	1.5:1	
Polarization	Linear	
Horizontal 3dB Beam Width	60	Degrees
Vertical 3dB Beam Width	115	Degrees
Waveguide Size	WR-8	
Flange Designation	UG-387/U-Mod	
Size	Φ19.1*25.4	mm
Weight	9	g
Body Material	Cu	
Surface Treatment	Gold	

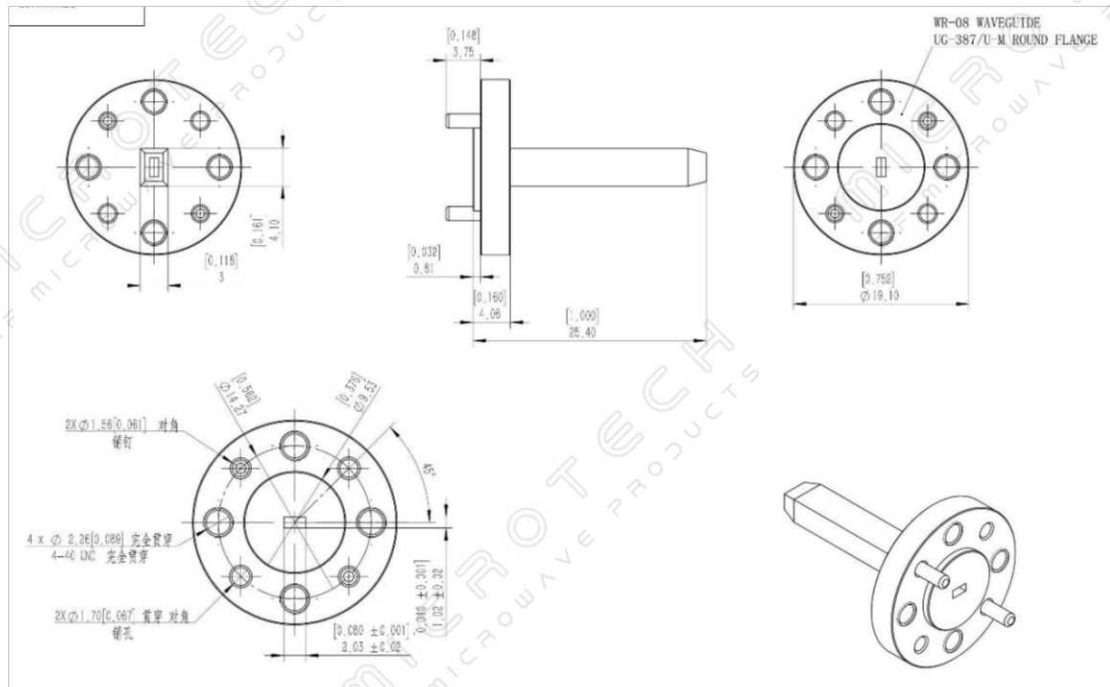
Waveguide Probe Antenna
8 dBi Gain, 90GHz-140GHz Frequency Range



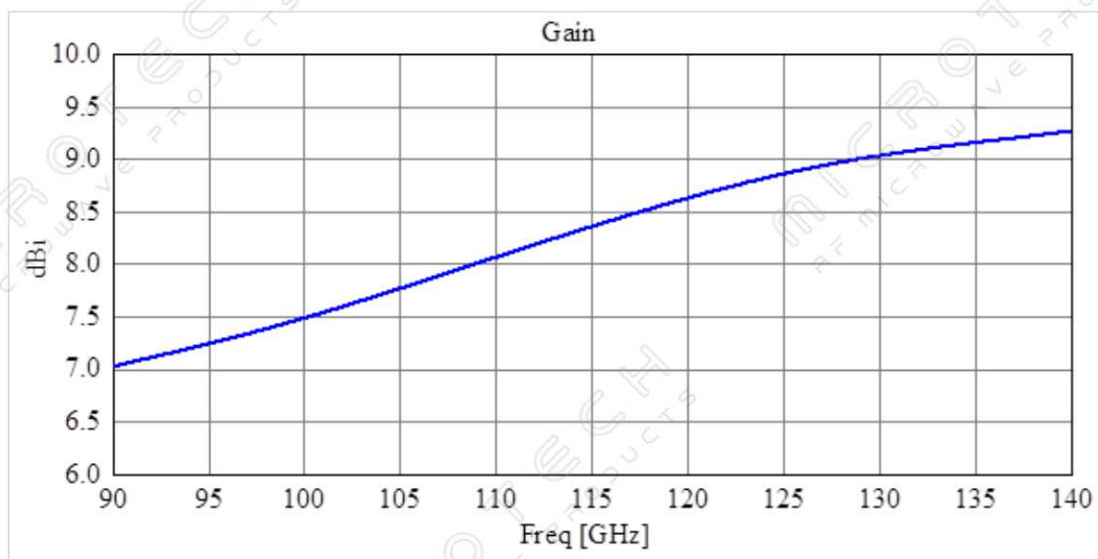
Waveguide Probe Antenna Data Sheet

MT-WPA8-8

Outline Drawing



Simulated Data



Waveguide Probe Antenna
8 dBi Gain, 90GHz-140GHz Frequency Range



Waveguide Probe Antenna Data Sheet

MT-WPA8-8

