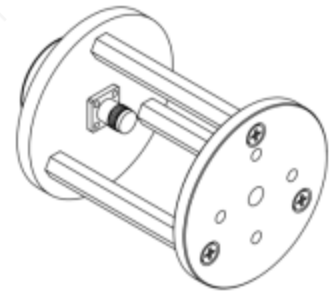


Bi-Conical Antenna 3 dBi Typ. Gain, 35-37 GHz Frequency Range



Bi-Conical Antenna Data Sheet

RM-BCA3537-3

Features

- Low VSWR
- Right-hand Circular Polarization
- Widely Used
- Small Size

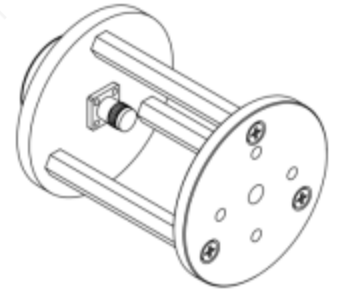
Descriptions

- RF MISO's **Model RM-BCA3537-31** is a right-hand circular polarization that operates from 35 to 37 GHz, The antenna offers horizontal Gain 3dBi Typ. The antenna RF ports are 2.92mm-F connector. The antenna can be widely used in EMI detection, orientation, reconnaissance, antenna gain and pattern measurement and other application fields.

Specifications

RM-BCA3537-3		
Parameters	Typical	Units
Frequency Range	35-37	GHz
Gain	3 Typ.	dBi
VSWR	1.2 Typ.	
Polarization	Right-hand Circular Polarization	
Downward 3dB Beam Width	30°	
Connector	2.92mm-F	
Material	Al	
Finishing	Paint	
Size	50*50*69.92(L*W*H)	mm
Weight	0.066	kg

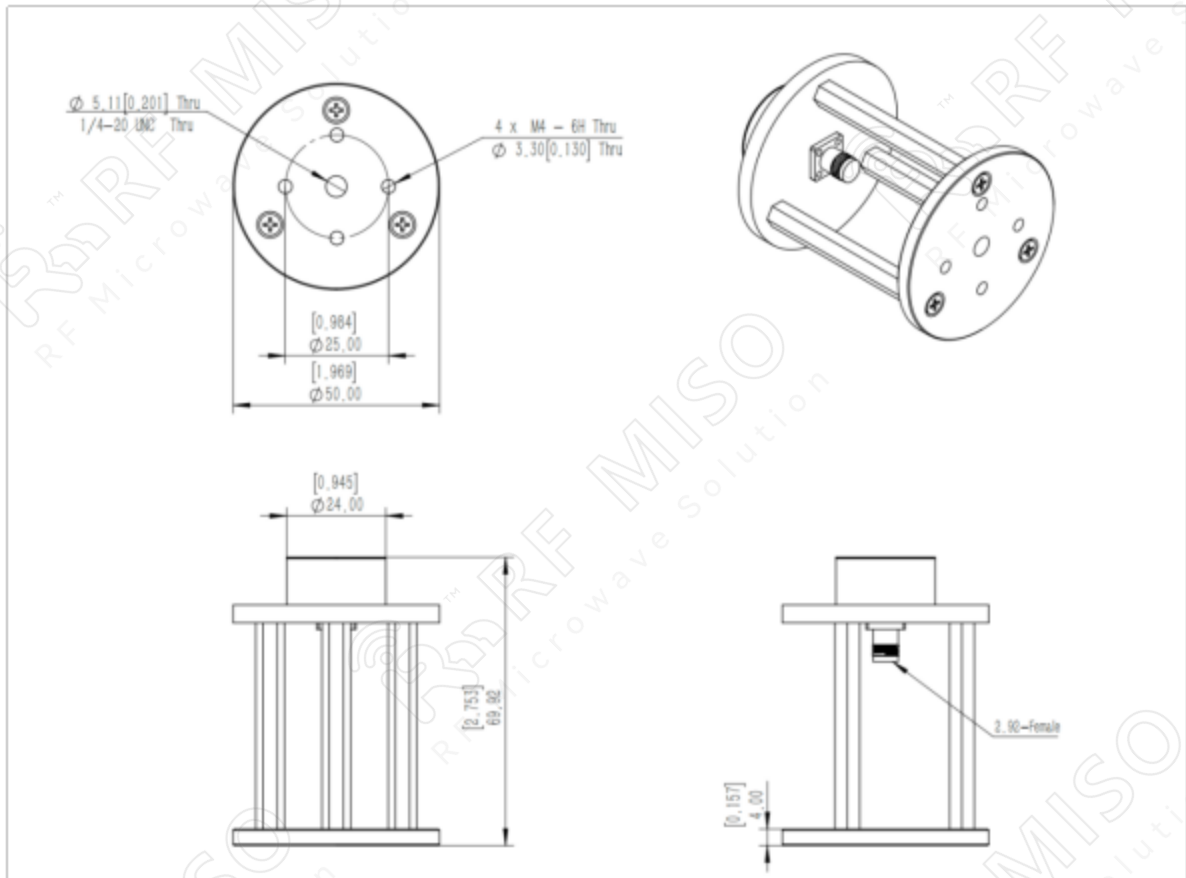
*Bi-Conical Antenna 3 dBi Typ. Gain, 35-37 GHz
Frequency Range*



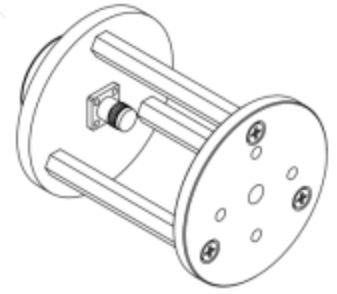
Bi-Conical Antenna Data Sheet

RM-BCA3537-3

Outline Drawing



*Bi-Conical Antenna 3 dBi Typ. Gain, 35-37 GHz
Frequency Range*



Bi-Conical Antenna Data Sheet

RM-BCA3537-3

Simulation Data

