



*Broadband Horn Antenna
11 dBi Typ. Gain, 0.6 GHz-6 GHz Frequency Range*

Broadband Horn Antenna Data Sheet

RM-BDHA066-11

Features

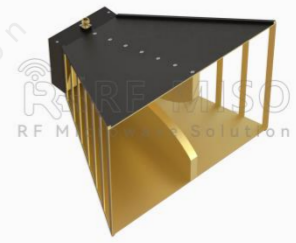
- Double-Ridge Waveguide
- Linear Polarization
- N Female Connector
- Mounting Bracket Included

Description

The **RM-BDHA066-11** from RF MISO is a broadband gain horn antenna that operates from 0.6 to 6 GHz. The antenna offers a typical gain of 11 dBi and VSWR1.5:1 with an N Female coaxial connector. Featuring high-power handling capability, low loss, high directivity and near constant electrical performance, the antenna is used in a variety of applications such as microwave testing, satellite antenna testing, direction finding, surveillance, plus EMC and antenna measurements.

Specifications

RM-BDHA066-11		
Item	Specification	Units
Frequency Range	0.6-6	GHz
Gain	11 Typ.	dBi
VSWR	1.5:1 Typ.	
Polarization	Linear	
Connector	N-F	
Material	Al	
Surface Treatment	Paint	
Size	343.67*442.21*289.59	mm
Weight	11.302	kg

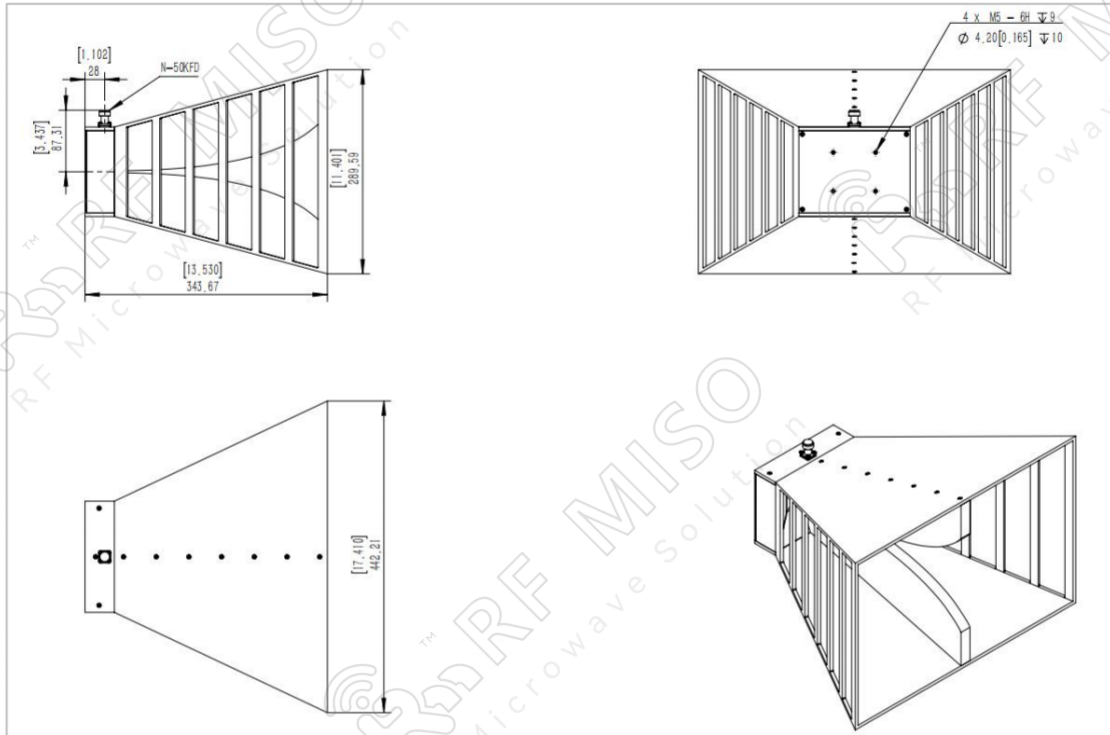


Broadband Horn Antenna
11 dBi Typ. Gain, 0.6 GHz-6 GHz Frequency Range

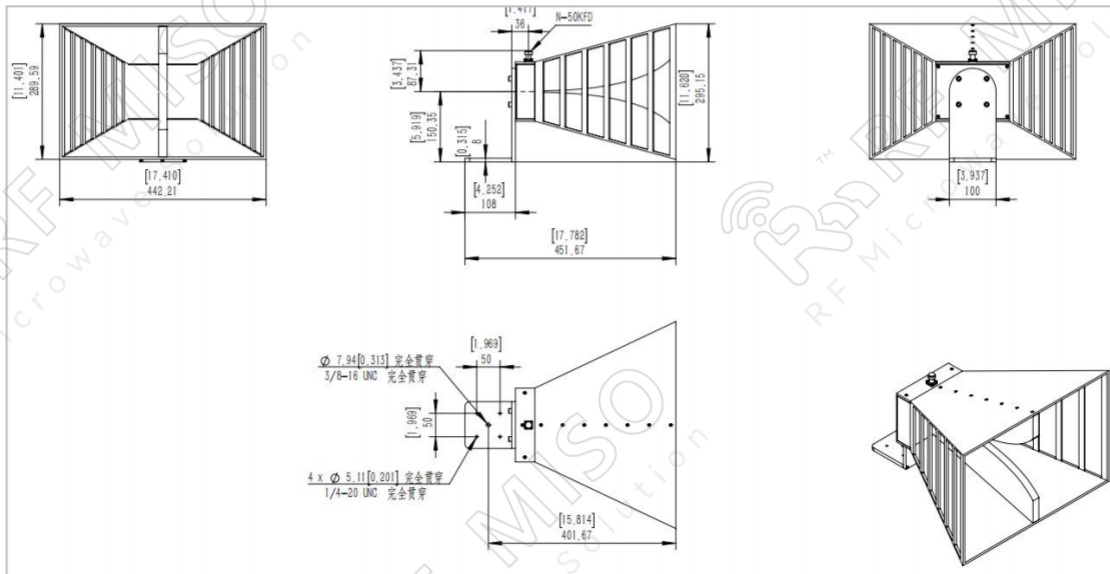
Broadband Horn Antenna Data Sheet

RM-BDHA066-11

Outline Drawing (Size: mm)



Outline Drawing with Mounting Bracket:



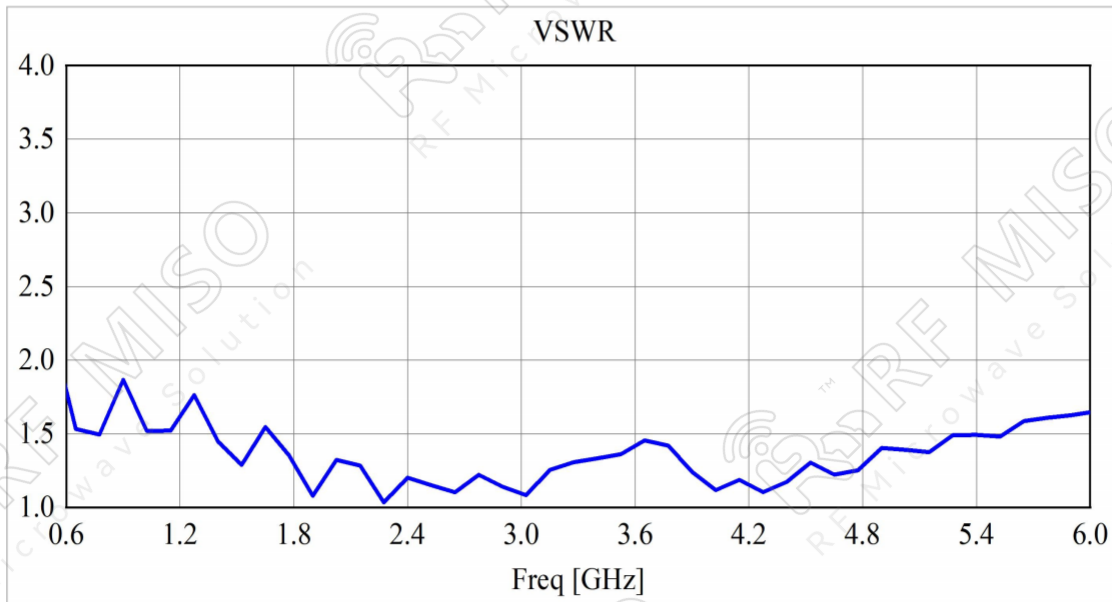
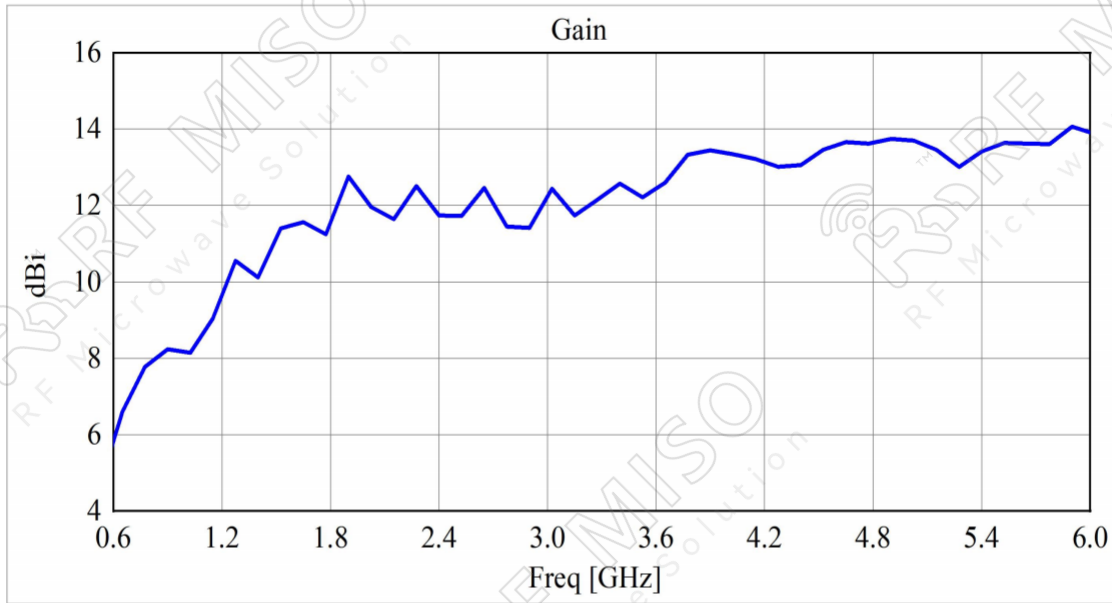


Broadband Horn Antenna
11 dBi Typ. Gain, 0.6 GHz-6 GHz Frequency Range

Broadband Horn Antenna Data Sheet

RM-BDHA066-11

Simulated Data

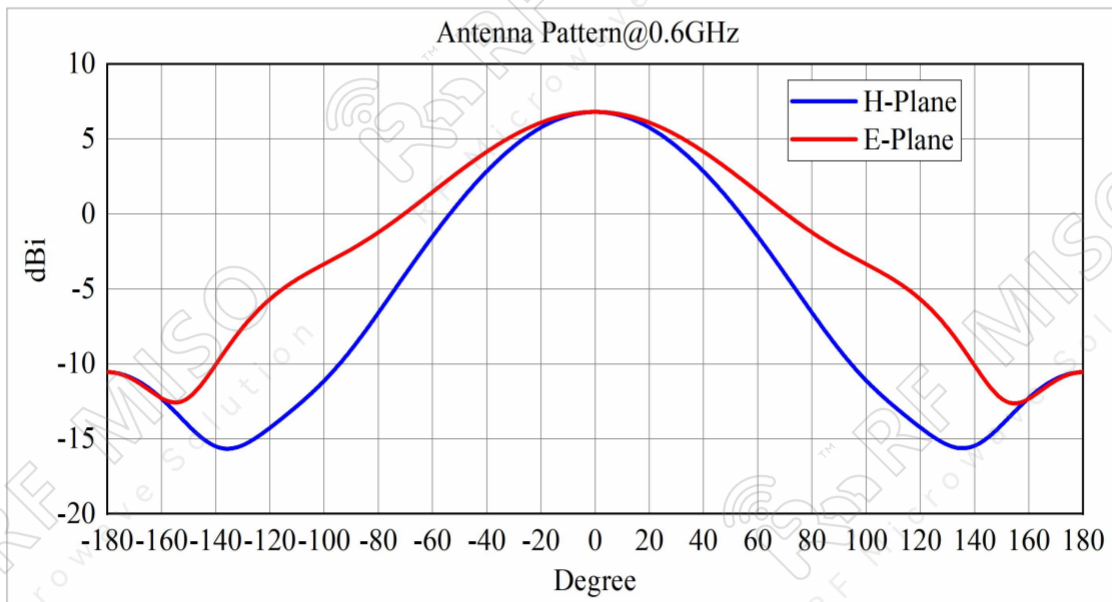
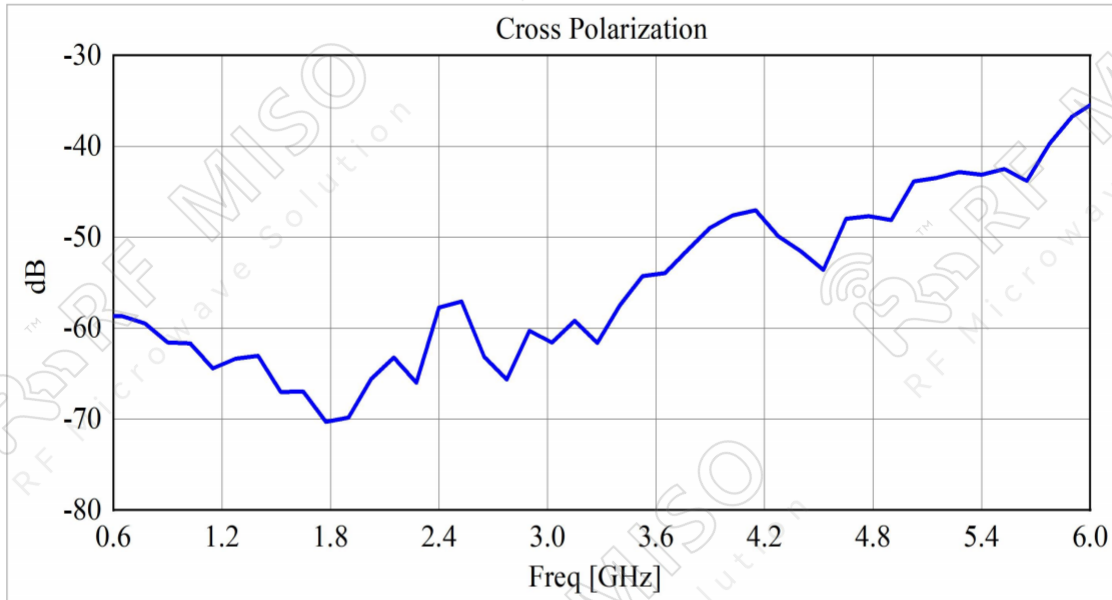




Broadband Horn Antenna
11 dBi Typ. Gain, 0.6 GHz-6 GHz Frequency Range

Broadband Horn Antenna Data Sheet

RM-BDHA066-11

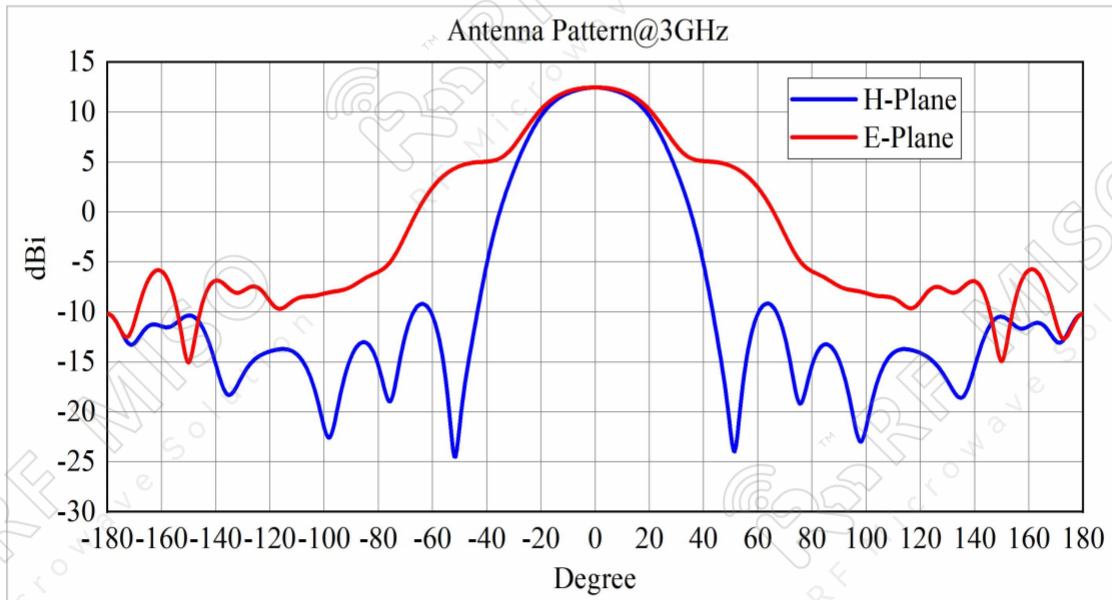
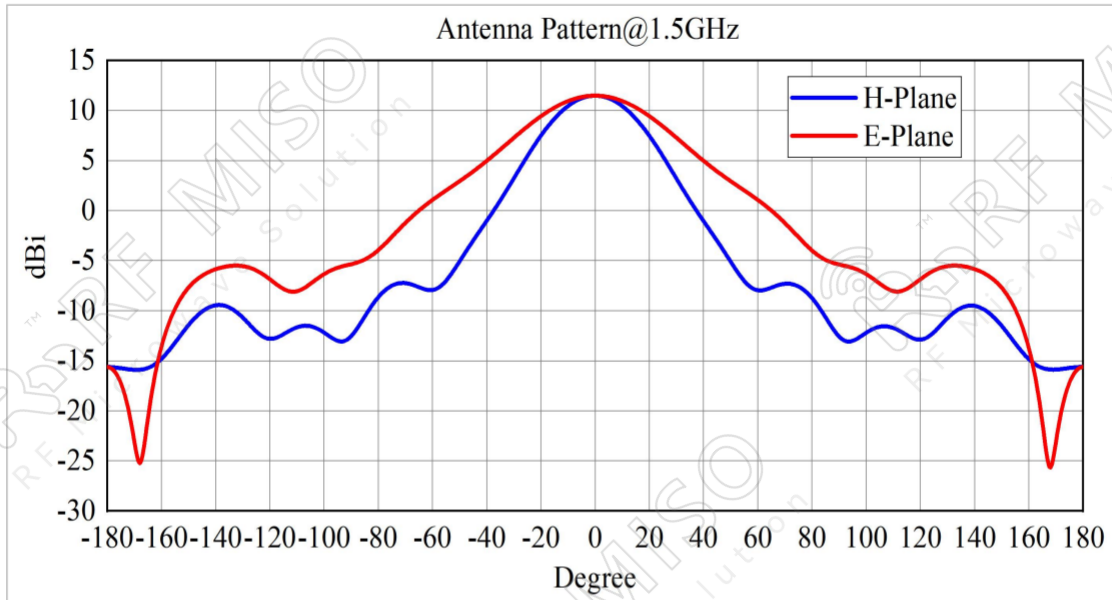




Broadband Horn Antenna
11 dBi Typ. Gain, 0.6 GHz-6 GHz Frequency Range

Broadband Horn Antenna Data Sheet

RM-BDHA066-11





Broadband Horn Antenna
11 dBi Typ. Gain, 0.6 GHz-6 GHz Frequency Range

Broadband Horn Antenna Data Sheet

RM-BDHA066-11

