



Broadband Horn Antenna
20 dBi Typ. Gain, 4 GHz-8 GHz Frequency Range

Broadband Horn Antenna Data Sheet

RM-BDHA48-20

Features

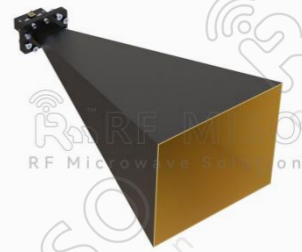
- Double-Ridge Waveguide
- Linear Polarization
- SMA -F Connector
- Mounting Bracket Included

Description

The **RM-BDHA48-20** from RF MISO is a broadband gain horn antenna that operates from 4 to 8GHz. The antenna offers a typical gain of 20 dBi and VSWR1.5:1 with an SMA Female coaxial connector. Featuring high-power handling capability, low loss, high directivity and near constant electrical performance, the antenna is used in a variety of applications such as microwave testing, satellite antenna testing, direction finding, surveillance, plus EMC and antenna measurements.

Specifications

RM-BDHA48-20		
Item	Specification	Units
Frequency Range	4-8	GHz
Gain	20 Typ.	dBi
VSWR	1.5:1 Typ.	
Polarization	Linear	
Connector	SMA-F	
Material	Al	
Surface Treatment	Paint	
Size	585.40*284.10*234.09	mm
Weight	3.779	kg

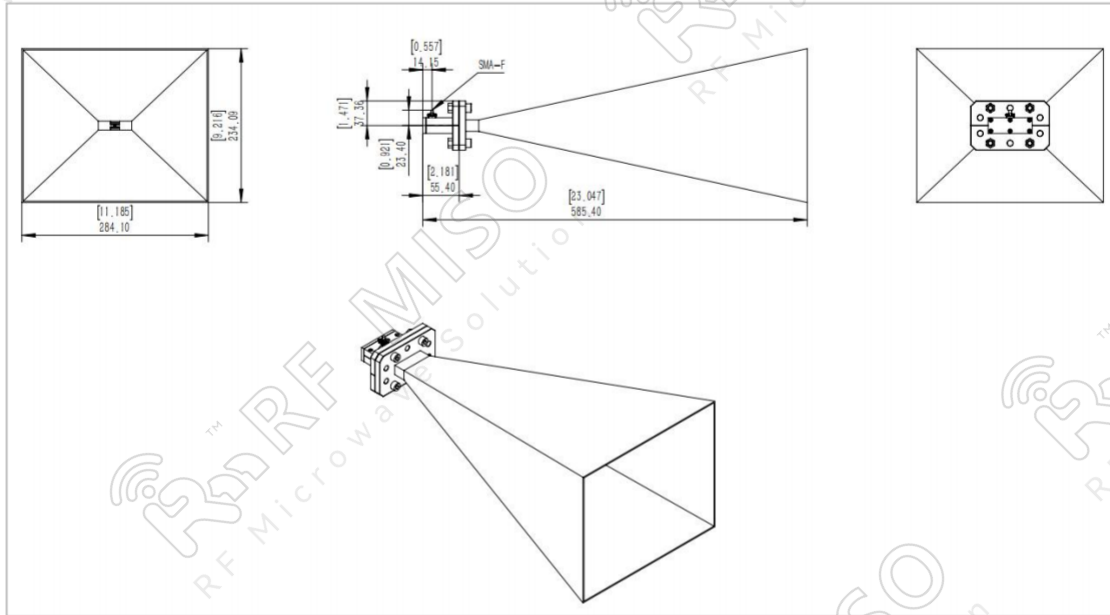


Broadband Horn Antenna
20 dBi Typ. Gain, 4 GHz-8 GHz Frequency Range

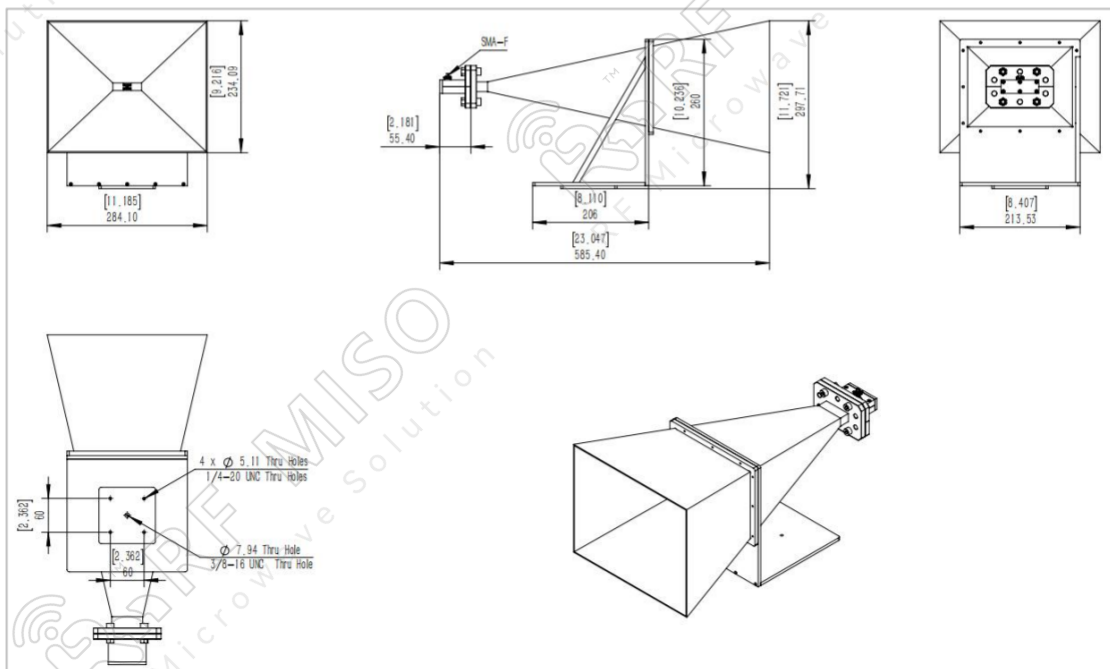
Broadband Horn Antenna Data Sheet

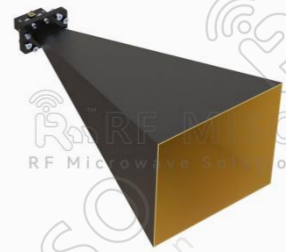
RM-BDHA48-20

Outline Drawing (Size: mm)



Outline Drawing with Mounting Bracket:



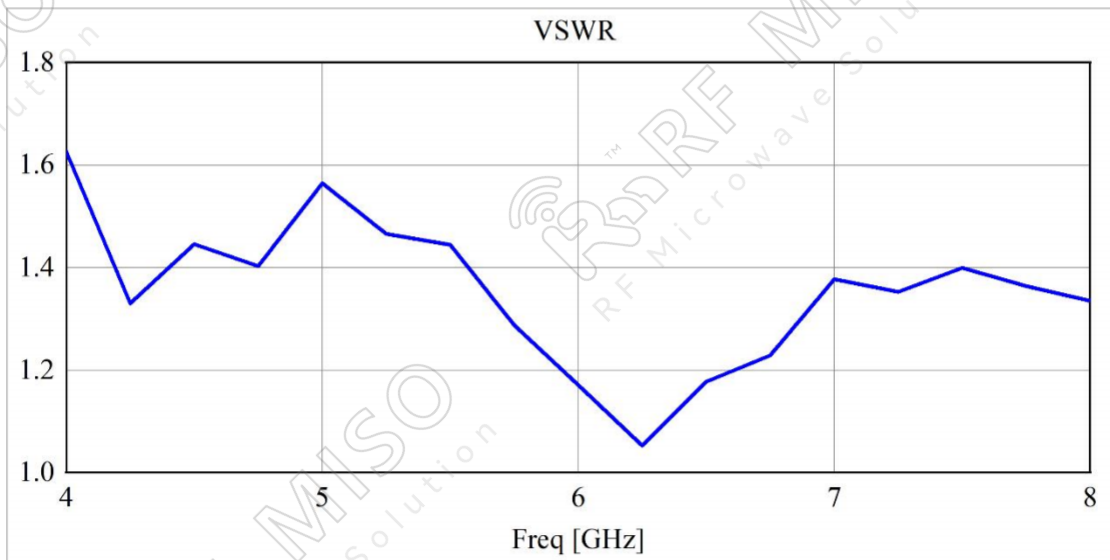
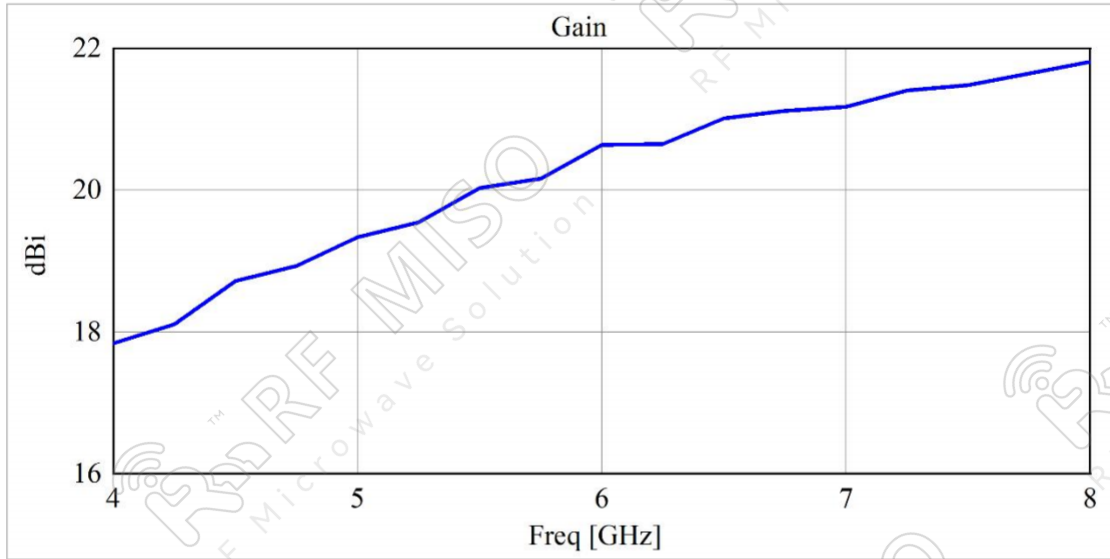


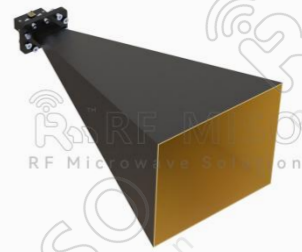
Broadband Horn Antenna
20 dBi Typ. Gain, 4 GHz-8 GHz Frequency Range

Broadband Horn Antenna Data Sheet

RM-BDHA48-20

Simulated Data

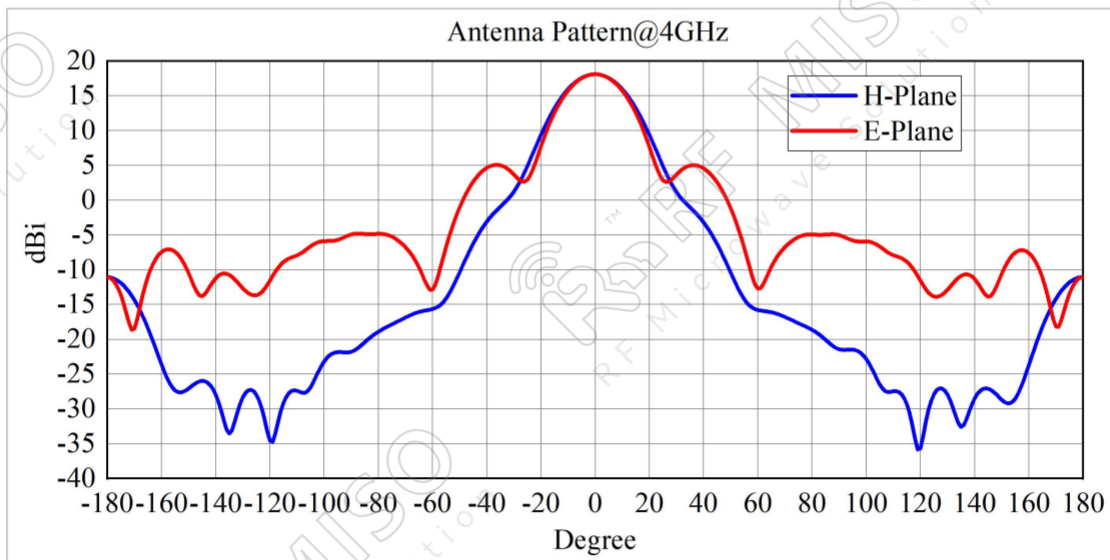
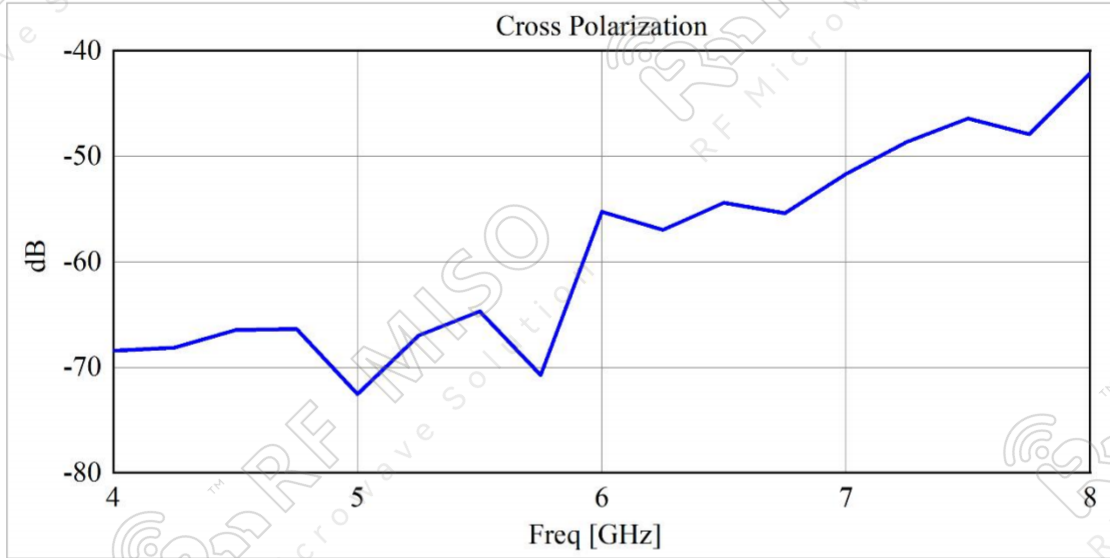


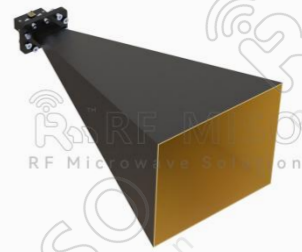


Broadband Horn Antenna
20 dBi Typ. Gain, 4 GHz-8 GHz Frequency Range

Broadband Horn Antenna Data Sheet

RM-BDHA48-20

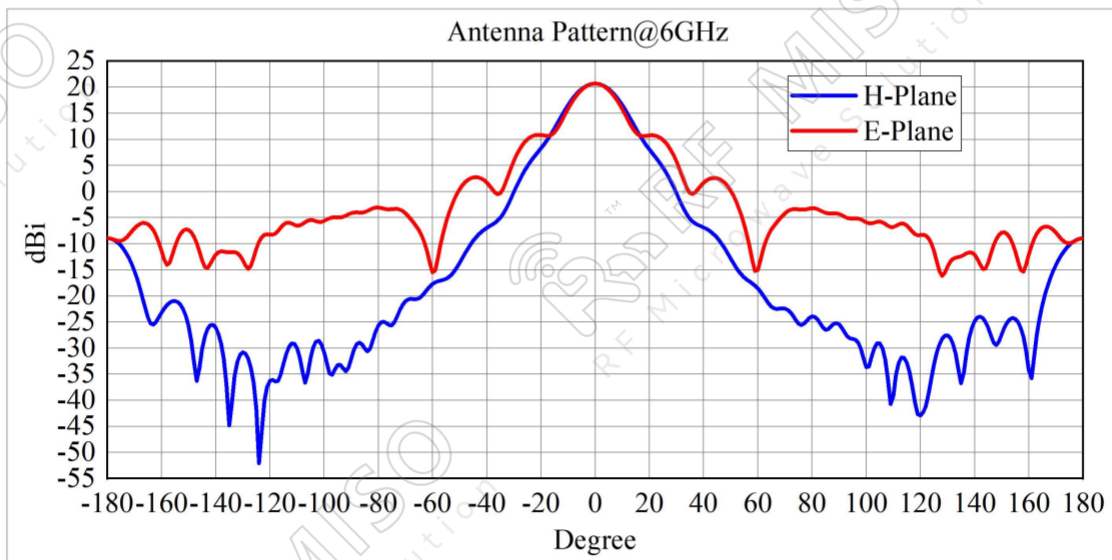
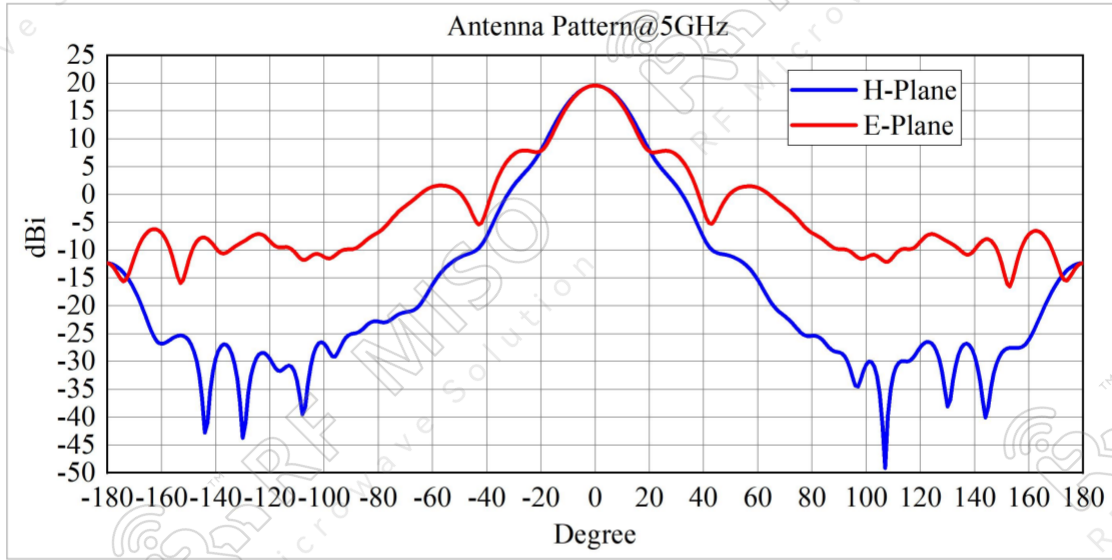


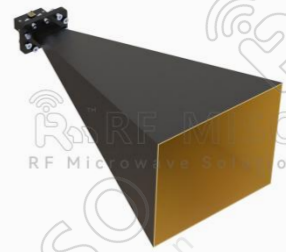


Broadband Horn Antenna
20 dBi Typ. Gain, 4 GHz-8 GHz Frequency Range

Broadband Horn Antenna Data Sheet

RM-BDHA48-20





Broadband Horn Antenna
20 dBi Typ. Gain, 4 GHz-8 GHz Frequency Range

Broadband Horn Antenna Data Sheet

RM-BDHA48-20

