



Broadband Horn Antenna
10 dBi Typ. Gain, 6 GHz-18 GHz Frequency Range

Broadband Horn Antenna Data Sheet

RM-BDHA618-10B

Features

- Double-Ridge Waveguide
- Linear Polarization
- N Female Connector
- Mounting Bracket Included

Description

The **RM-BDHA618-10B** from RF MISO is a broadband gain horn antenna that operates from 6 to 18GHz. The antenna offers a typical gain of 10 dBi and VSWR1.5:1 with an N Female coaxial connector. Featuring high-power handling capability, low loss, high directivity and near constant electrical performance, the antenna is used in a variety of applications such as microwave testing, satellite antenna testing, direction finding, surveillance, plus EMC and antenna measurements.

Specifications

RM-BDHA618-10B		
Item	Specification	Units
Frequency Range	6-18	GHz
Gain	10 Typ.	dBi
VSWR	1.5:1 Typ.	
Polarization	Linear	
Connector	N-F	
Material	Al	
Surface Treatment	Paint	
Size	58.07*52.79*116	mm
Weight	0.121	kg

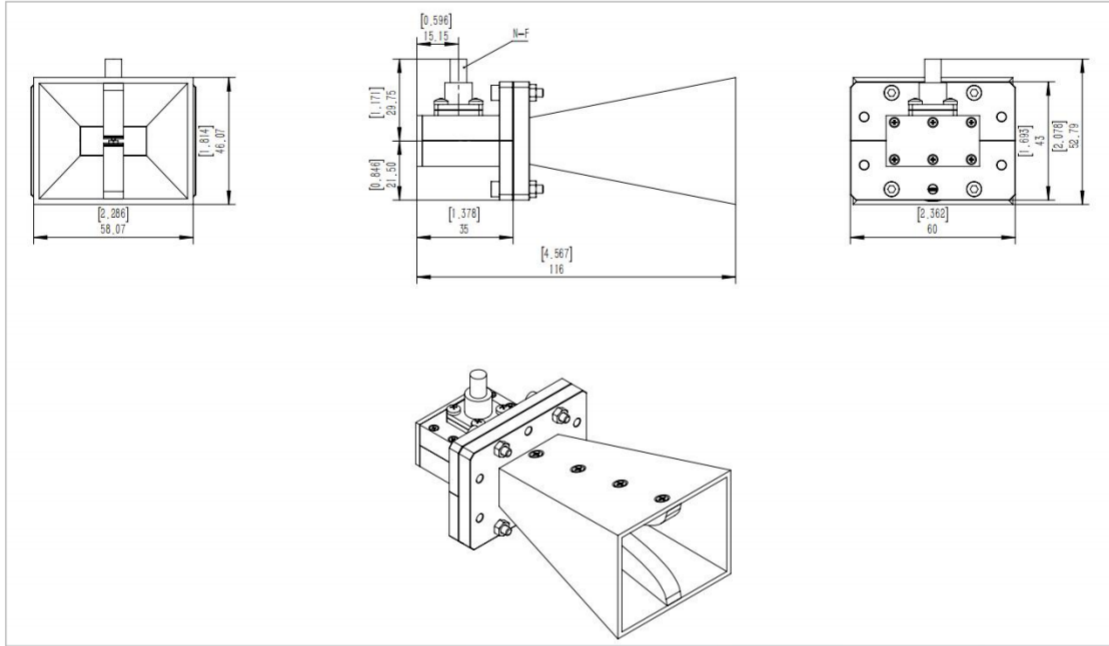


Broadband Horn Antenna
10 dBi Typ. Gain, 6 GHz-18 GHz Frequency Range

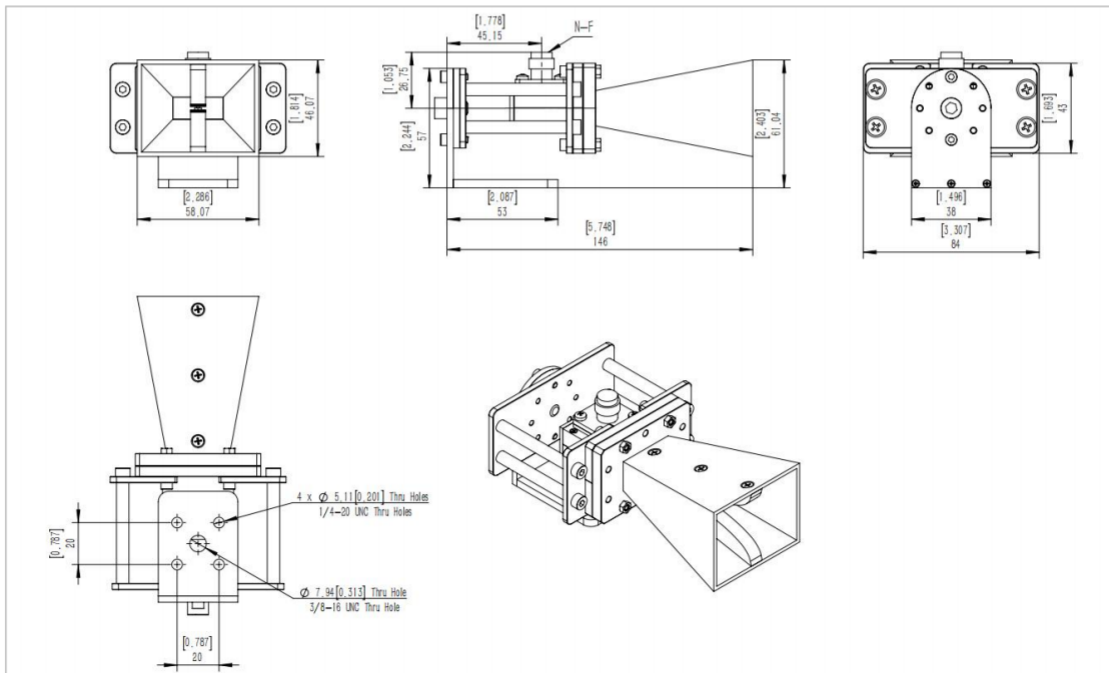
Broadband Horn Antenna Data Sheet

RM-BDHA618-10B

Outline Drawing (Size: mm)



Outline Drawing with Mounting Bracket:



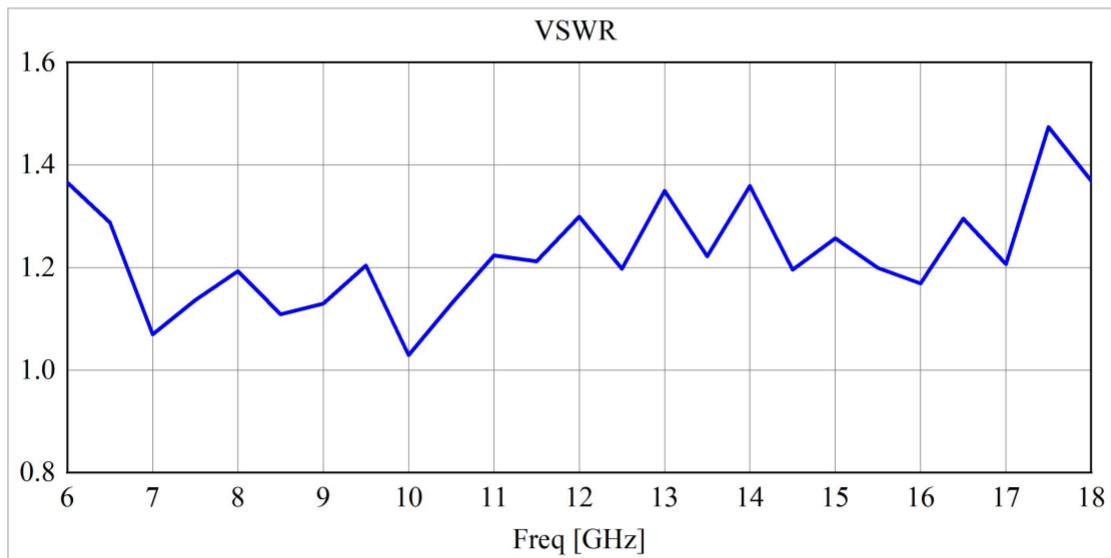
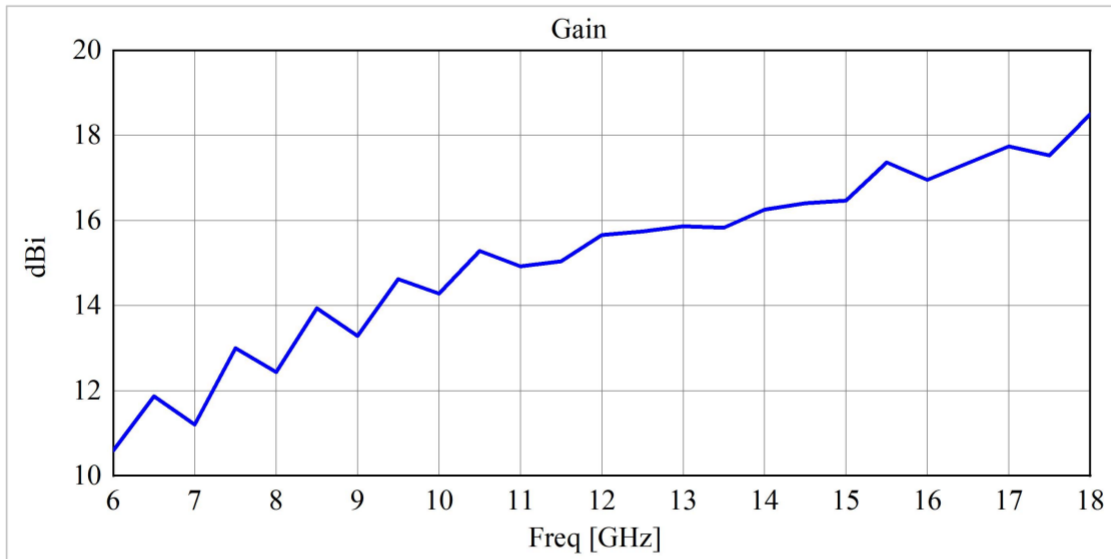


Broadband Horn Antenna
10 dBi Typ. Gain, 6 GHz-18 GHz Frequency Range

Broadband Horn Antenna Data Sheet

RM-BDHA618-10B

Simulated Data

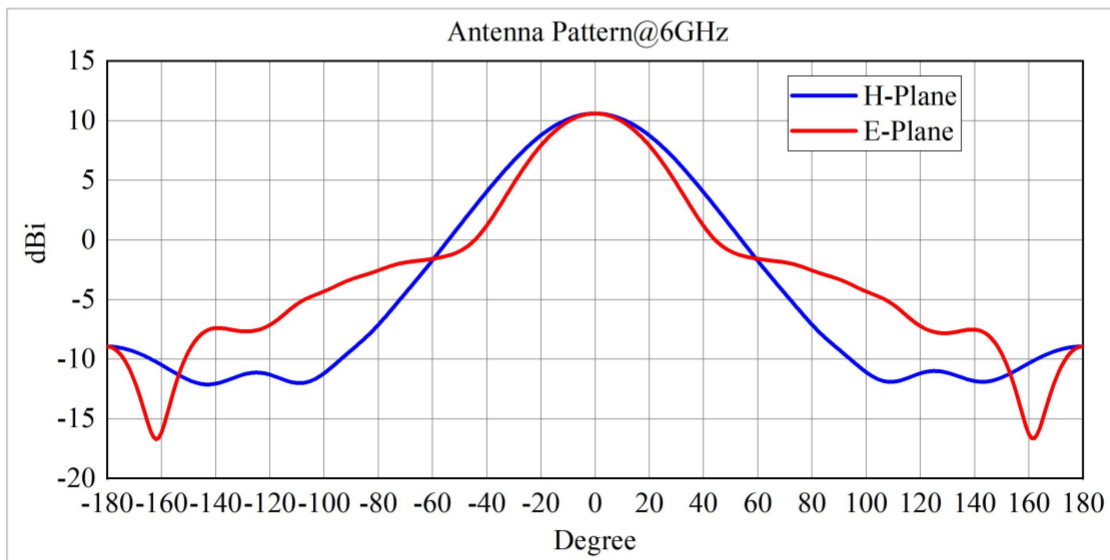
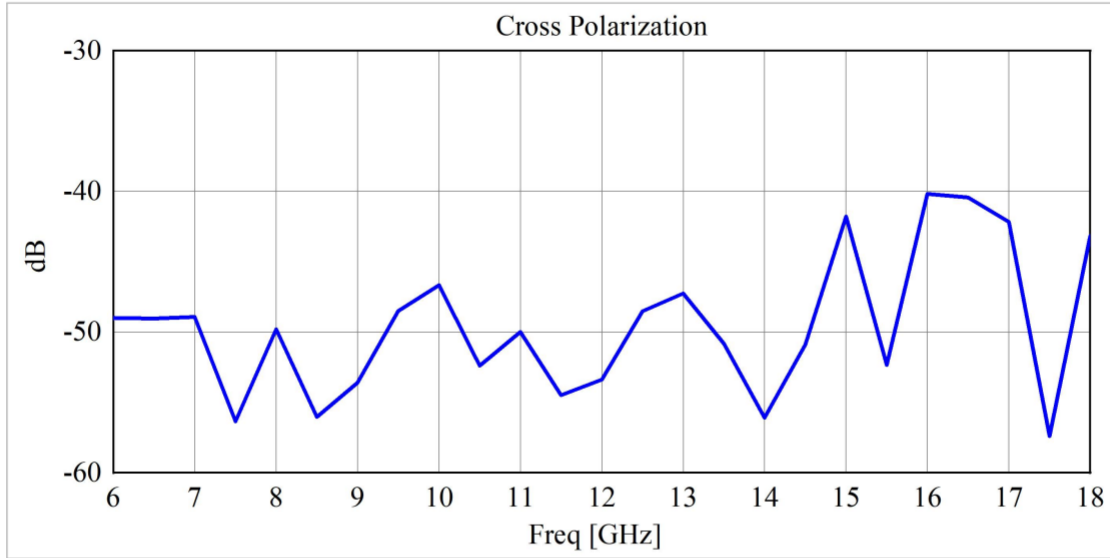




Broadband Horn Antenna
10 dBi Typ. Gain, 6 GHz-18 GHz Frequency Range

Broadband Horn Antenna Data Sheet

RM-BDHA618-10B

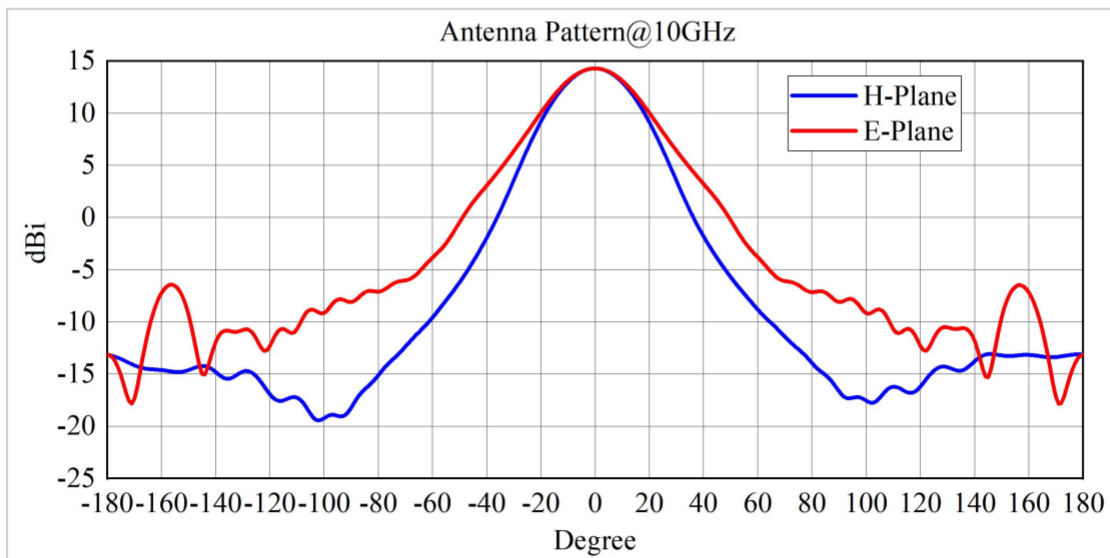
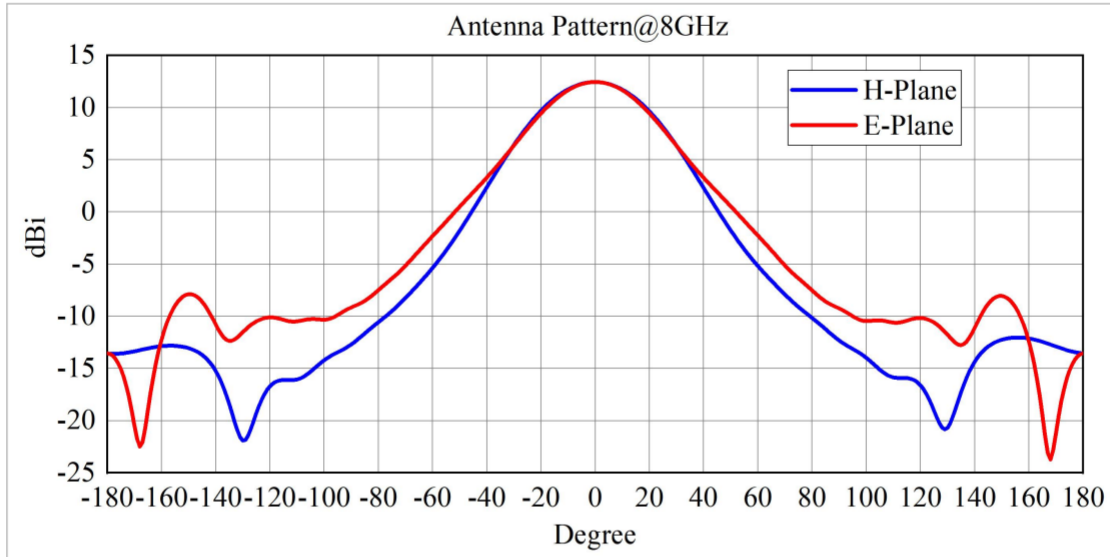




Broadband Horn Antenna
10 dBi Typ. Gain, 6 GHz-18 GHz Frequency Range

Broadband Horn Antenna Data Sheet

RM-BDHA618-10B





Broadband Horn Antenna
10 dBi Typ. Gain, 6 GHz-18 GHz Frequency Range

Broadband Horn Antenna Data Sheet

RM-BDHA618-10B

