



*Broadband Horn Antenna*  
*15 dBi Typ. Gain, 6 GHz-18 GHz Frequency Range*

## Broadband Horn Antenna Data Sheet

**RM-BDHA618-15B**

### Features

- Double-Ridge Waveguide
- Linear Polarization
- N Female Connector
- Mounting Bracket Included

### Description

The **RM-BDHA618-15B** from RF MISO is a broadband gain horn antenna that operates from 6 to 18GHz. The antenna offers a typical gain of 15 dBi and VSWR1.5:1 with an SMA Female coaxial connector. Featuring high-power handling capability, low loss, high directivity and near constant electrical performance, the antenna is used in a variety of applications such as microwave testing, satellite antenna testing, direction finding, surveillance, plus EMC and antenna measurements.

### Specifications

RM-BDHA618-15B		
Item	Specification	Units
Frequency Range	6-18	GHz
Gain	15 Typ.	dBi
VSWR	1.5:1 Typ.	
Polarization	Linear	
Connector	SMA-F	
Material	Al	
Surface Treatment	Paint	
Size	76.07*64.07*161	mm
Weight	1.484	kg

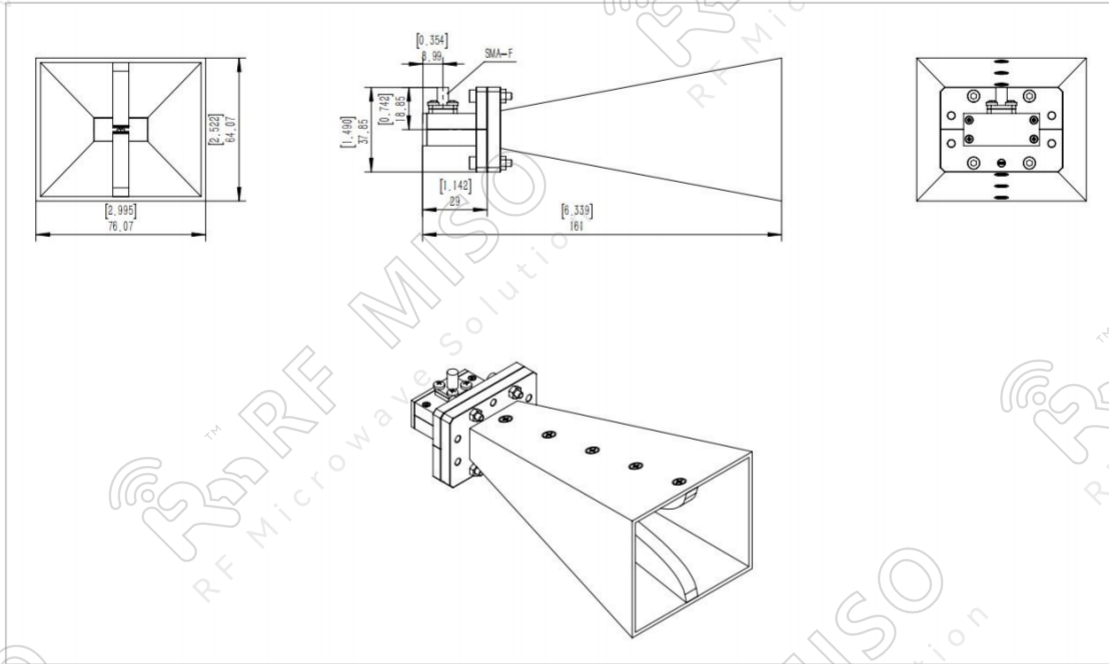


*Broadband Horn Antenna*  
*15 dBi Typ. Gain, 6 GHz-18 GHz Frequency Range*

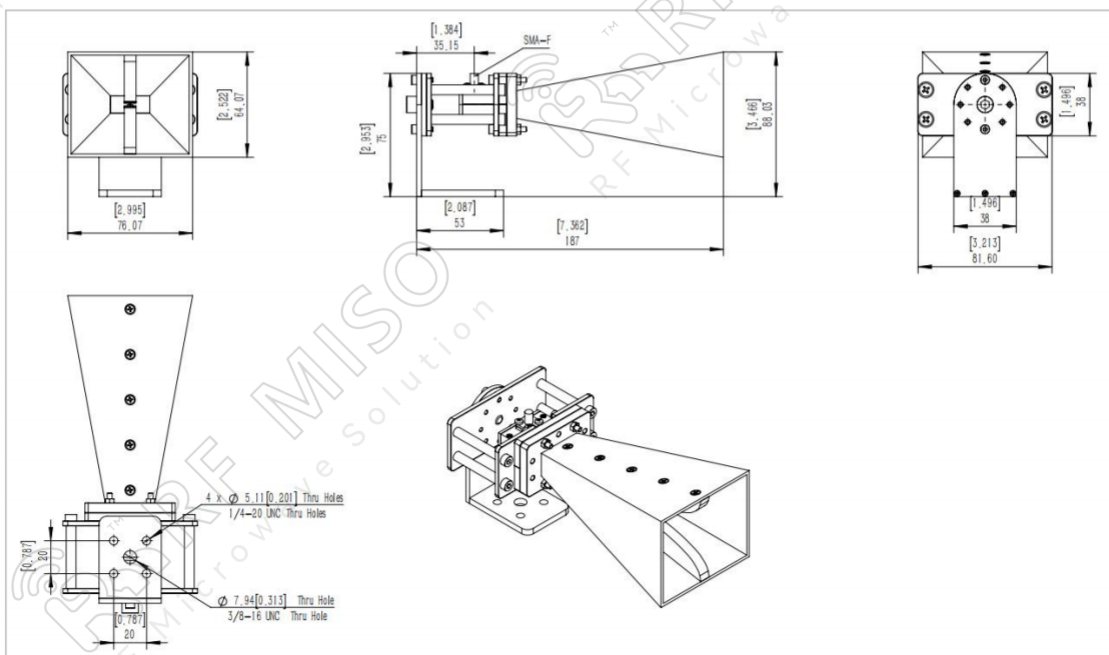
**Broadband Horn Antenna Data Sheet**

**RM-BDHA618-15B**

**Outline Drawing (Size: mm)**



Outline Drawing with Mounting Bracket:



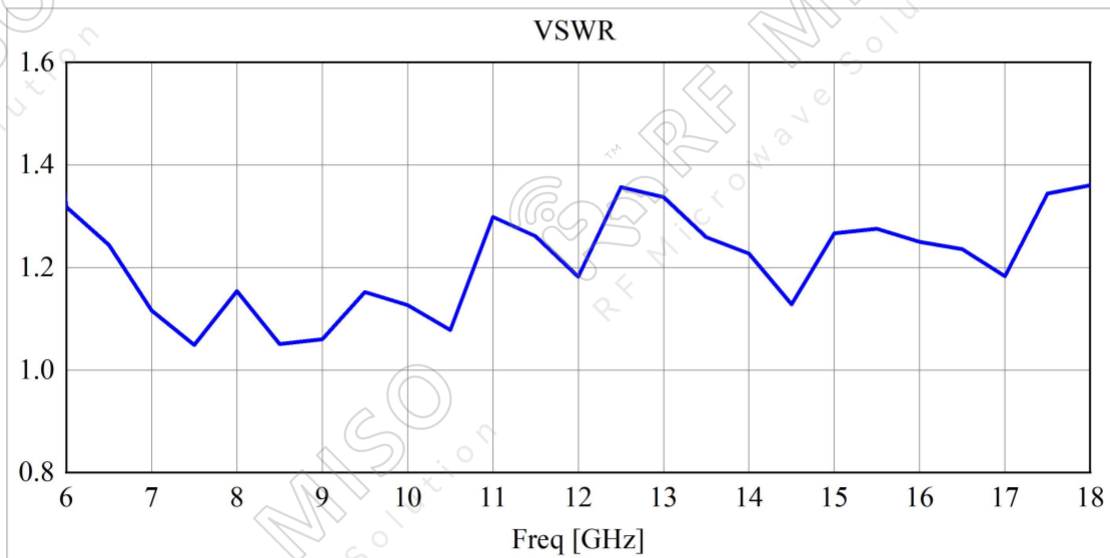
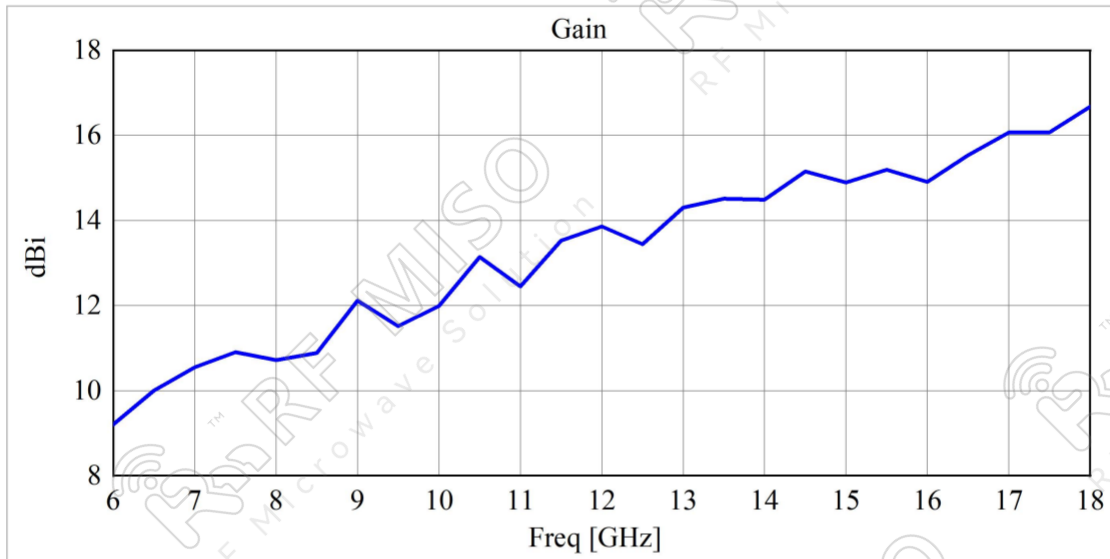


*Broadband Horn Antenna*  
*15 dBi Typ. Gain, 6 GHz-18 GHz Frequency Range*

**Broadband Horn Antenna Data Sheet**

**RM-BDHA618-15B**

**Simulated Data**

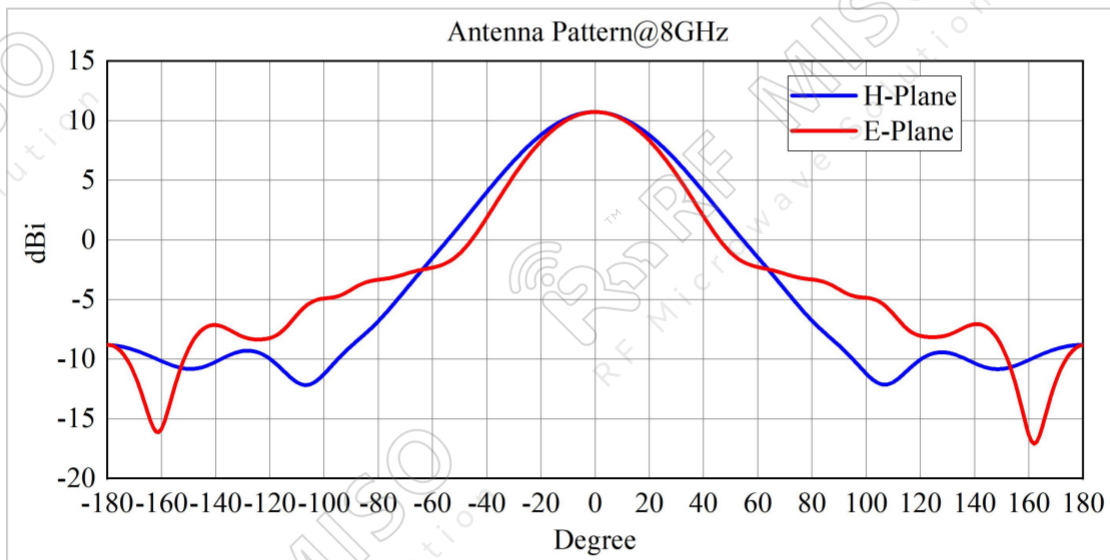
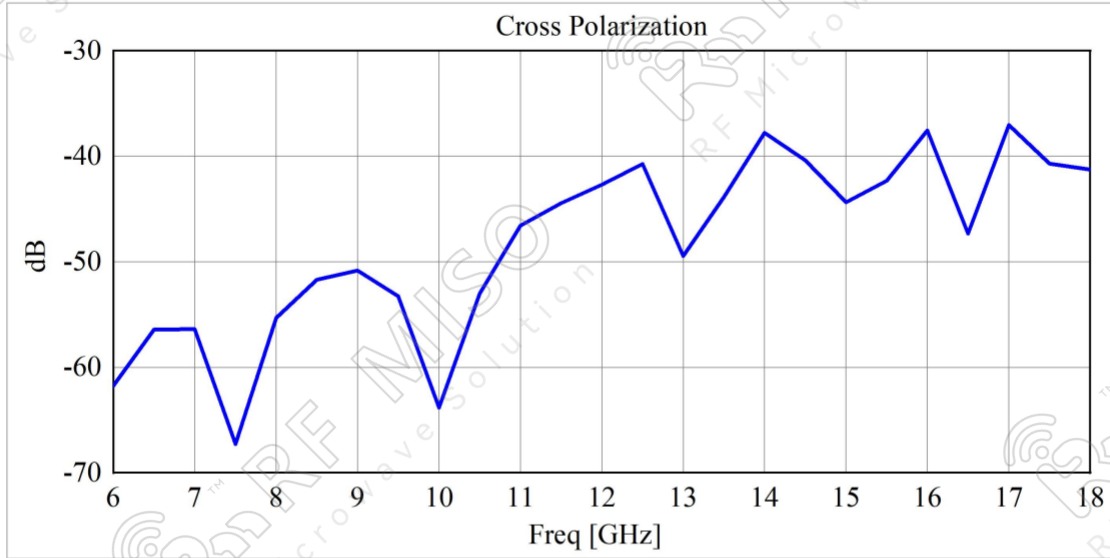




*Broadband Horn Antenna*  
*15 dBi Typ. Gain, 6 GHz-18 GHz Frequency Range*

**Broadband Horn Antenna Data Sheet**

**RM-BDHA618-15B**

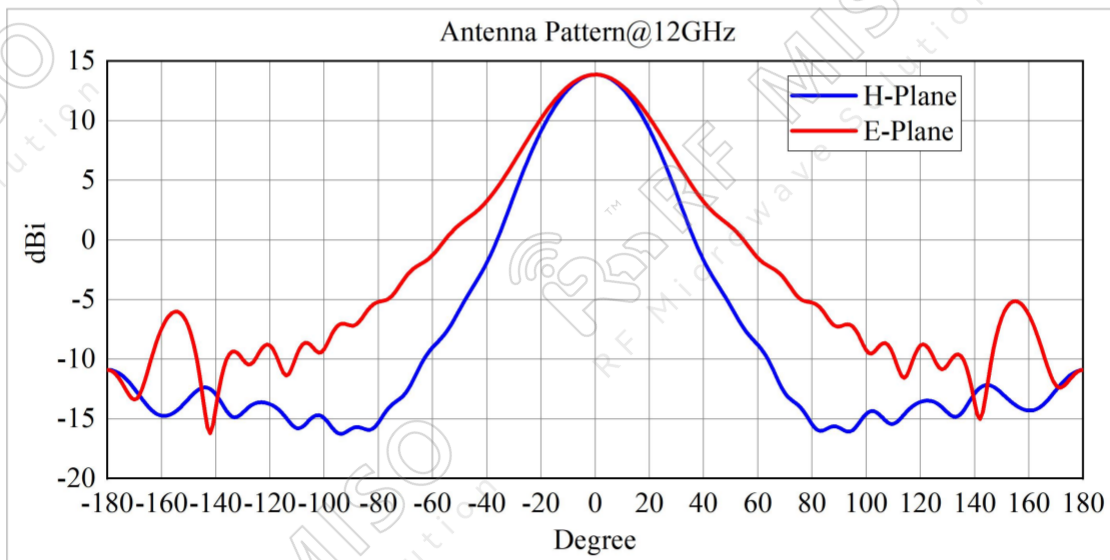
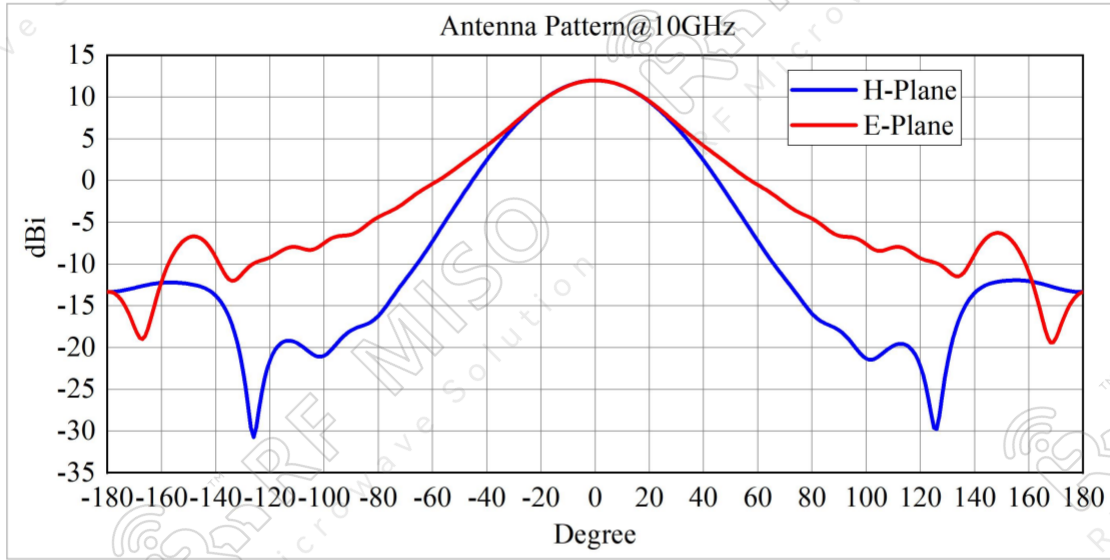




*Broadband Horn Antenna*  
*15 dBi Typ. Gain, 6 GHz-18 GHz Frequency Range*

**Broadband Horn Antenna Data Sheet**

**RM-BDHA618-15B**





*Broadband Horn Antenna*  
*15 dBi Typ. Gain, 6 GHz-18 GHz Frequency Range*

**Broadband Horn Antenna Data Sheet**

**RM-BDHA618-15B**

