



*Broadband Horn Antenna
10 dBi Typ. Gain, 0.4-6 GHz Frequency Range*

Broadband Horn Antenna Data Sheet

RM-BDHA046-10

Features

- Ideal for Antenna Measurements
- Low VSWR
- Broadband Operation
- Linear Polarized

Descriptions

RF MISO's **Model RM-BDHA046-10** is a double-ridged linear polarized broadband horn antenna that operates from 0.4 to 6 GHz. The antenna offers a typical gain of 10 dBi and low VSWR 1.5:1 with N-F type connector. It can be widely used in EMI detection, orientation, reconnaissance, antenna gain and pattern measurement and other applications.

Specifications

RM-BDHA046-10		
Parameters	Typical	Units
Frequency Range	0.4-6	GHz
Gain	10 Typ.	dBi
VSWR	1.5 Typ.	
Polarization	Linear	
Cross Polarization Isolation	30	dB
Connector	SMA-F	
Finishing	Paint	
Size(L*W*H)	540*604.54*400(±5)	mm
Weight	6.112	kg
Power(Average Value)	About 500	w



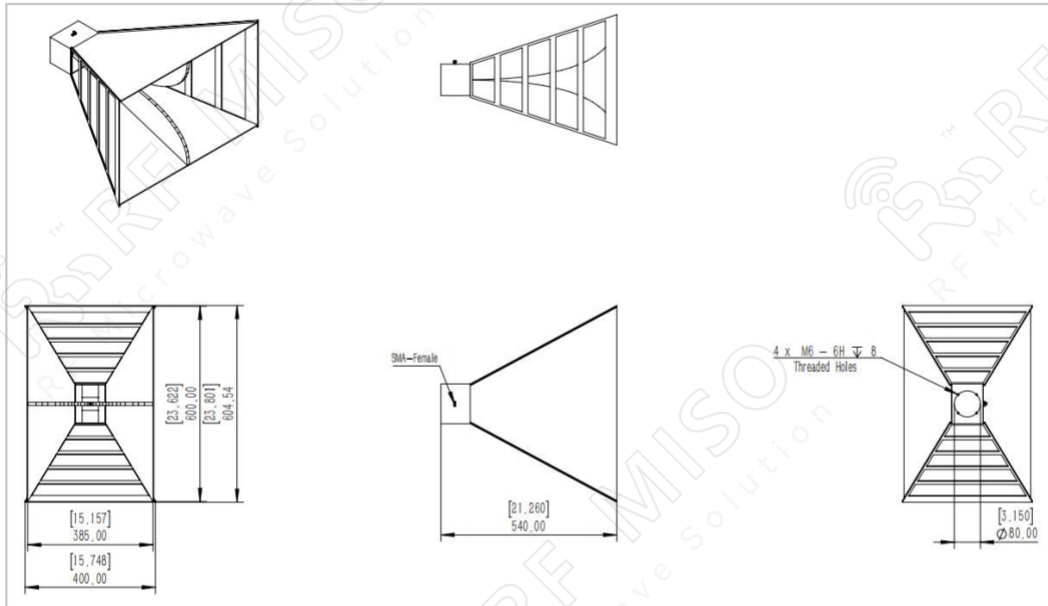
*Broadband Horn Antenna
10 dBi Typ. Gain, 0.4-6 GHz Frequency Range*

Broadband Horn Antenna Data Sheet

RM-BDHA046-10

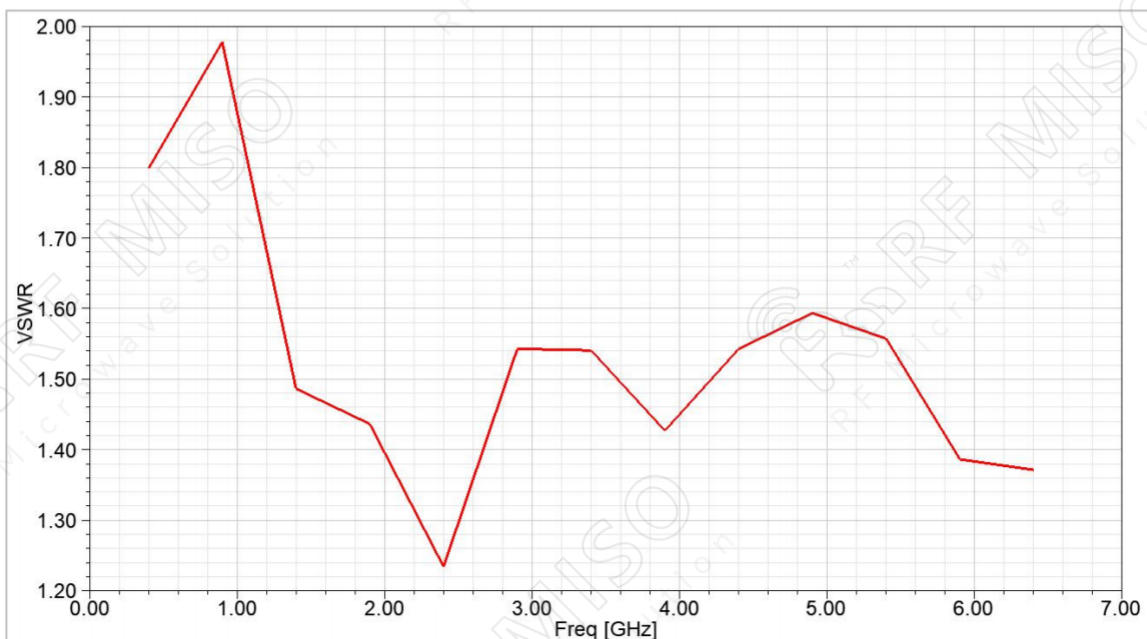
Outline Drawing

N-F connector is available, please contact RF Miso



Simulated Data

VSWR



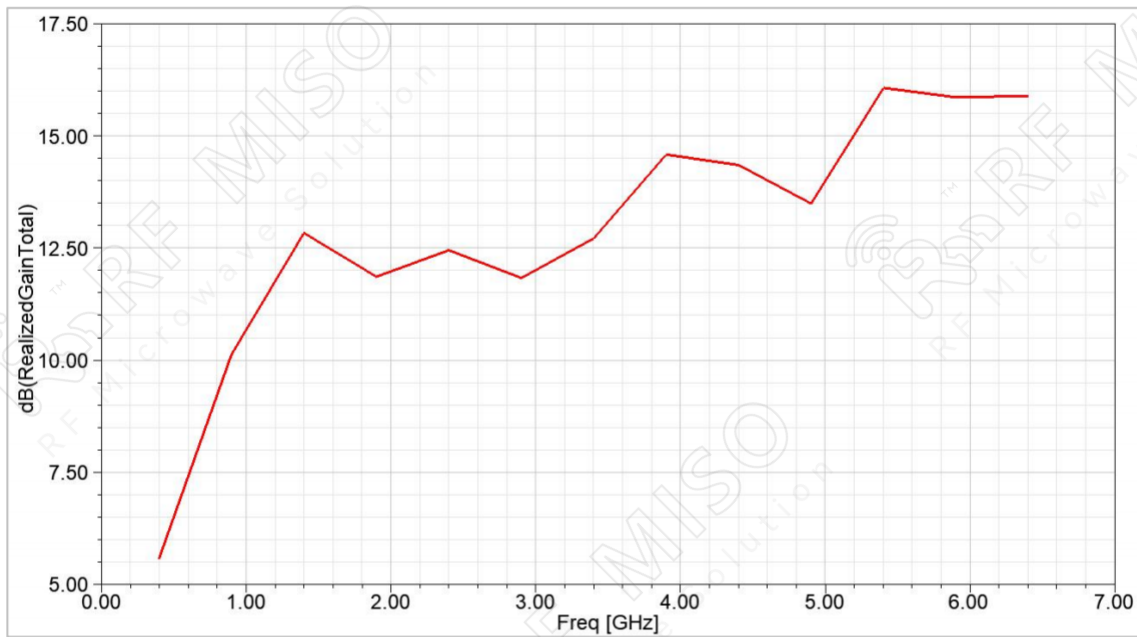


Broadband Horn Antenna
10 dBi Typ. Gain, 0.4-6 GHz Frequency Range

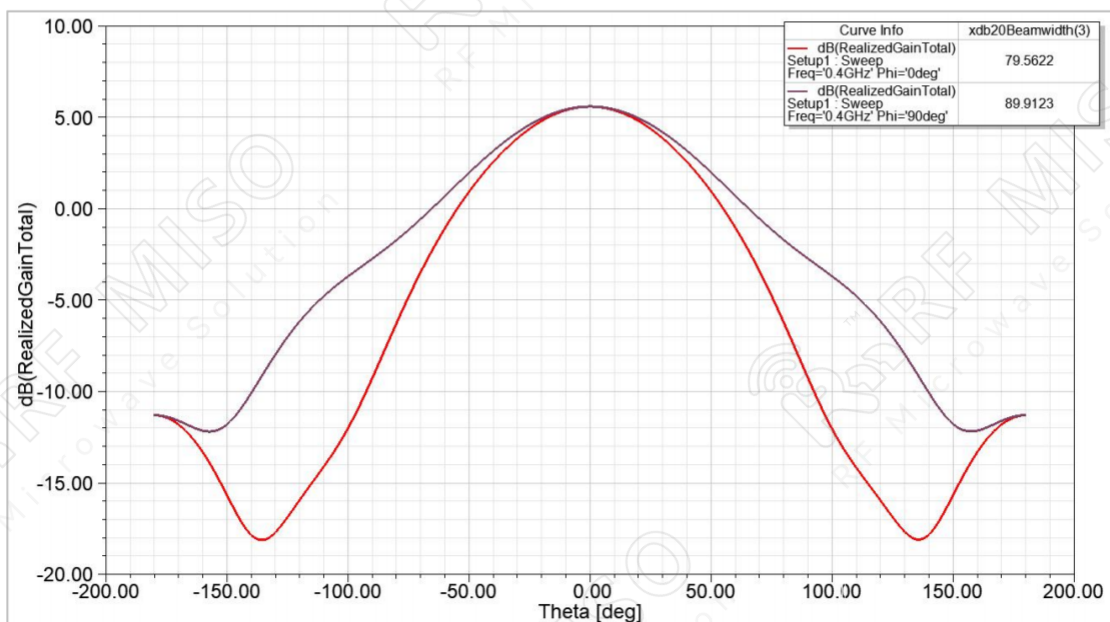
Broadband Horn Antenna Data Sheet

RM-BDHA046-10

Gain



Gain Pattern



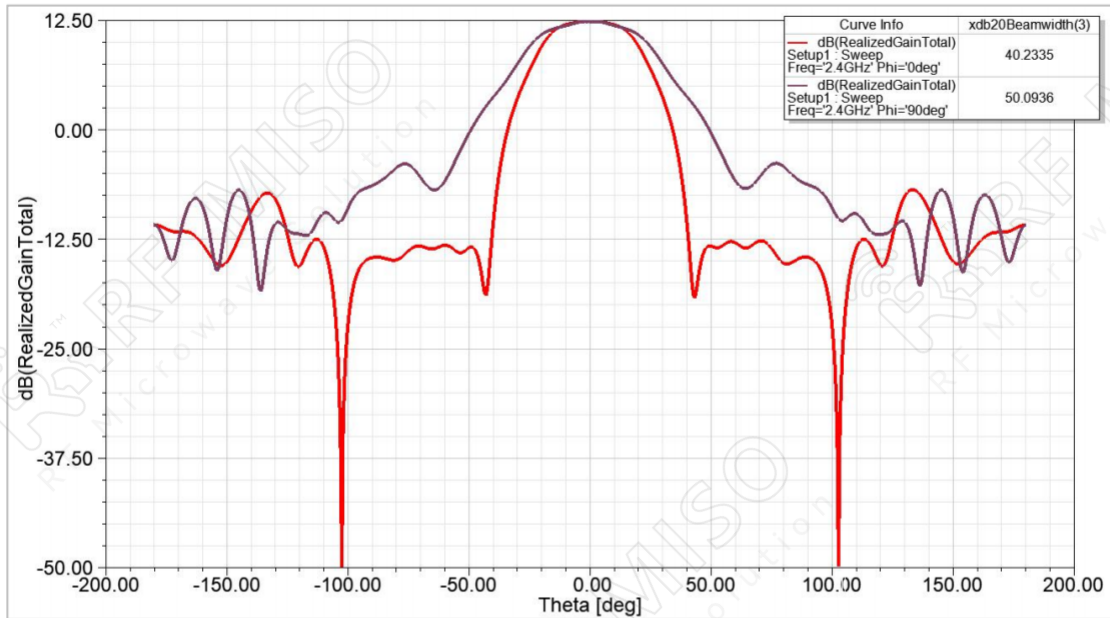
0.4GHz



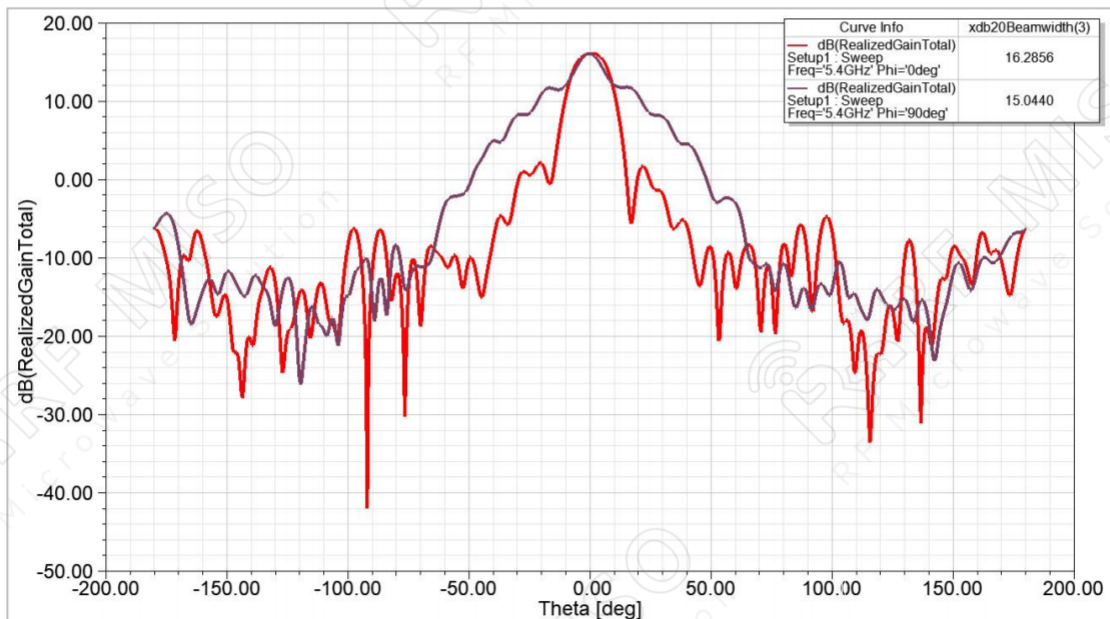
Broadband Horn Antenna
10 dBi Typ. Gain, 0.4-6 GHz Frequency Range

Broadband Horn Antenna Data Sheet

RM-BDHA046-10



2.4GHz



5.4GHz