



*Broadband Horn Antenna  
12dBi Typ. Gain, 1-2GHz Frequency Range*

## Broadband Horn Antenna Data Sheet

**RM-BDHA12-12**

### Features

- Ideal for Satellite Communications
- Low VSWR
- Good Directionality
- Linear Polarized

### Descriptions

RF MISO's **Model RM-BDHA12-12** is linear polarized broadband horn antenna that operates from 1 to 2 GHz. The antenna offers a typical gain of 12 dBi and low VSWR 1.5 Typ. with N-kFD type connector. RM-BDHA12-12 can be widely used in EMI detection, orientation, reconnaissance, antenna gain and pattern measurement and other application fields.

### Specifications

RM-BDHA12-12		
Parameters	Specifications	Units
Frequency Range	1-2	GHz
Gain	12 Typ.	dBi
VSWR	1.5 Typ.	
Polarization	Linear	
Connector	N-KFD	
Finishing	Paint Black	
Material	Al	
Size	549.6*256*213.9	mm
Weight	6.577	kg

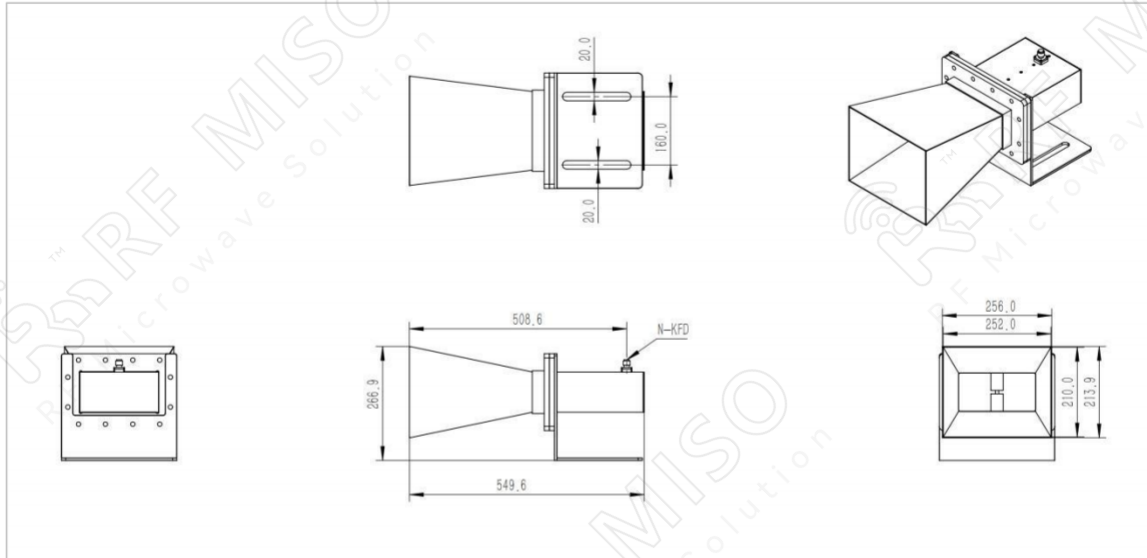


Broadband Horn Antenna  
12dBi Typ. Gain, 1-2GHz Frequency Range

**Broadband Horn Antenna Data Sheet**

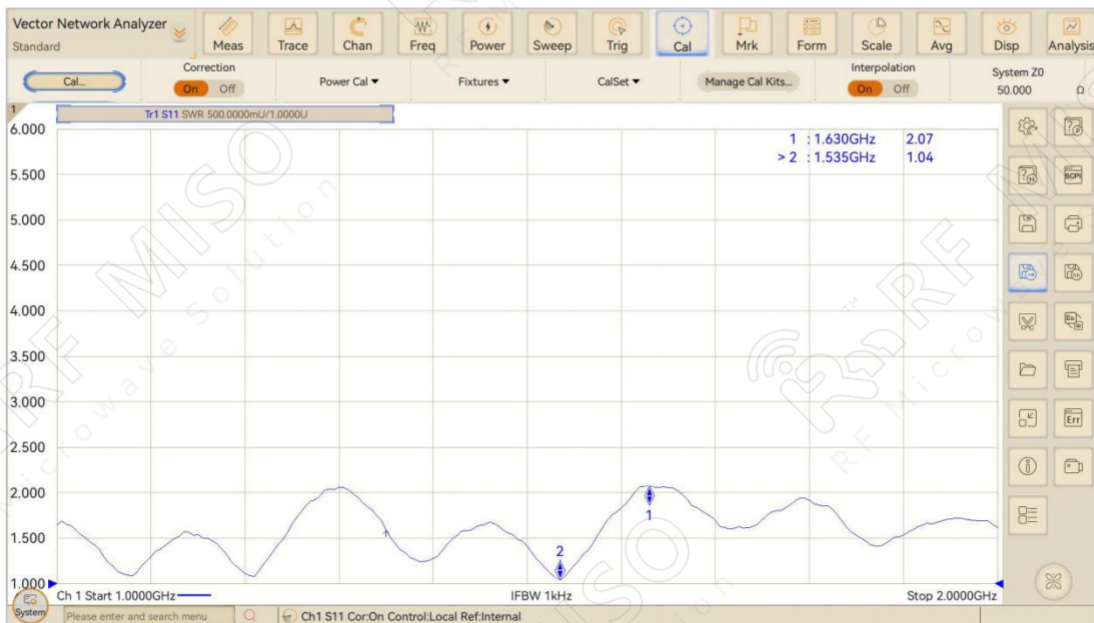
**RM-BDHA12-12**

**Outline Drawing**



**Test Result**

**VSWR**



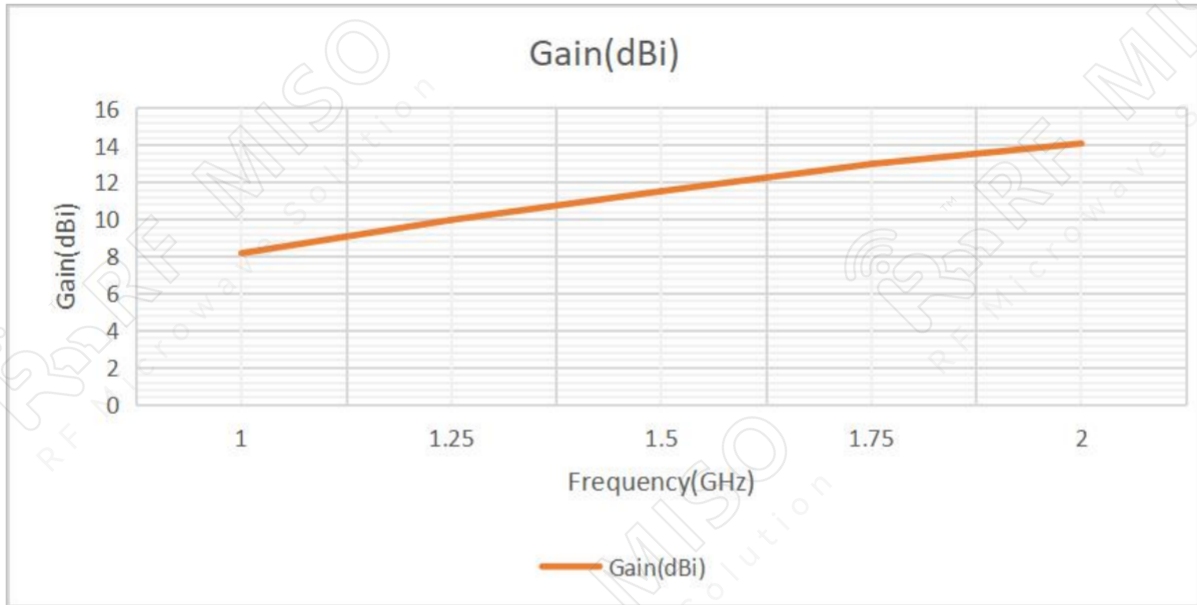


Broadband Horn Antenna  
12dBi Typ. Gain, 1-2GHz Frequency Range

**Broadband Horn Antenna Data Sheet**

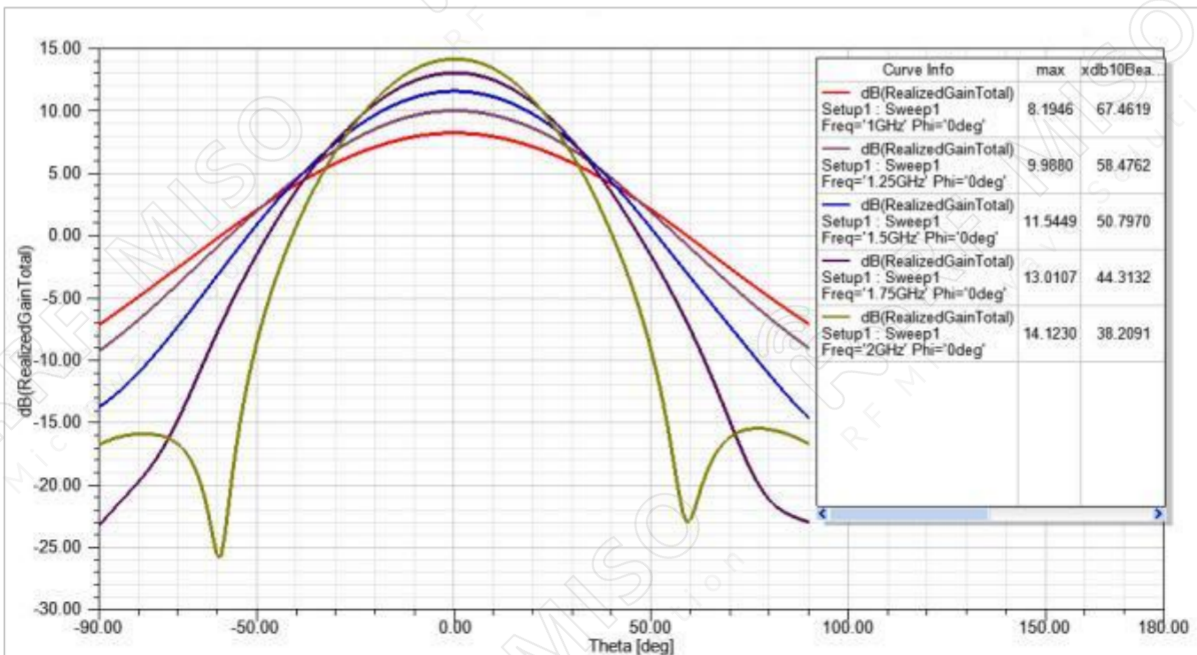
**RM-BDHA12-12**

**Simulation Data**



**Gain Pattern**

1-2GHz E-Plane





Broadband Horn Antenna  
12dBi Typ. Gain, 1-2GHz Frequency Range

**Broadband Horn Antenna Data Sheet**

**RM-BDHA12-12**

1-2GHz H-Plane

