

Broadband Horn Antenna
10 dBi Typ. Gain, 1 GHz-4 GHz Frequency Range

Broadband Horn Antenna Data Sheet

RM-BDHA14-10

Features

- Double-Ridge Waveguide
- Linear Polarization
- N Female Connector
- Mounting Bracket Included

Description

The **RM-BDHA14-10** from RF MISO is a broadband gain horn antenna that operates from 1 to 4 GHz. The antenna offers a typical gain of 10 dBi and VSWR1.5:1 with an N Female coaxial connector. Featuring high-power handling capability, low loss, high directivity and near constant electrical performance, the antenna is used in a variety of applications such as microwave testing, satellite antenna testing, direction finding, surveillance, plus EMC and antenna measurements.

Specifications

RM-BDHA14-10		
Item	Specification	Units
Frequency Range	1-4	GHz
Gain	10 Typ.	dBi
VSWR	1.5:1 Typ.	
Polarization	Linear	
Connector	N-F	
Material	Al	
Surface Treatment	Paint	
Size	250.61*172.23*256	mm
Weight	3.233	kg

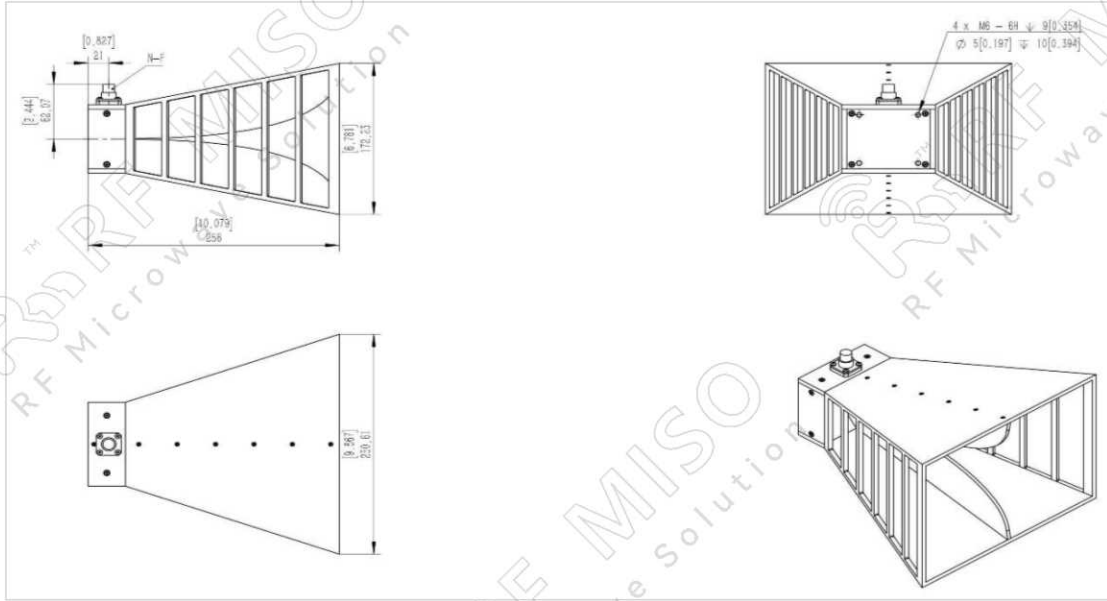
Broadband Horn Antenna
10 dBi Typ. Gain, 1 GHz-4 GHz Frequency Range

Broadband Horn Antenna Data Sheet

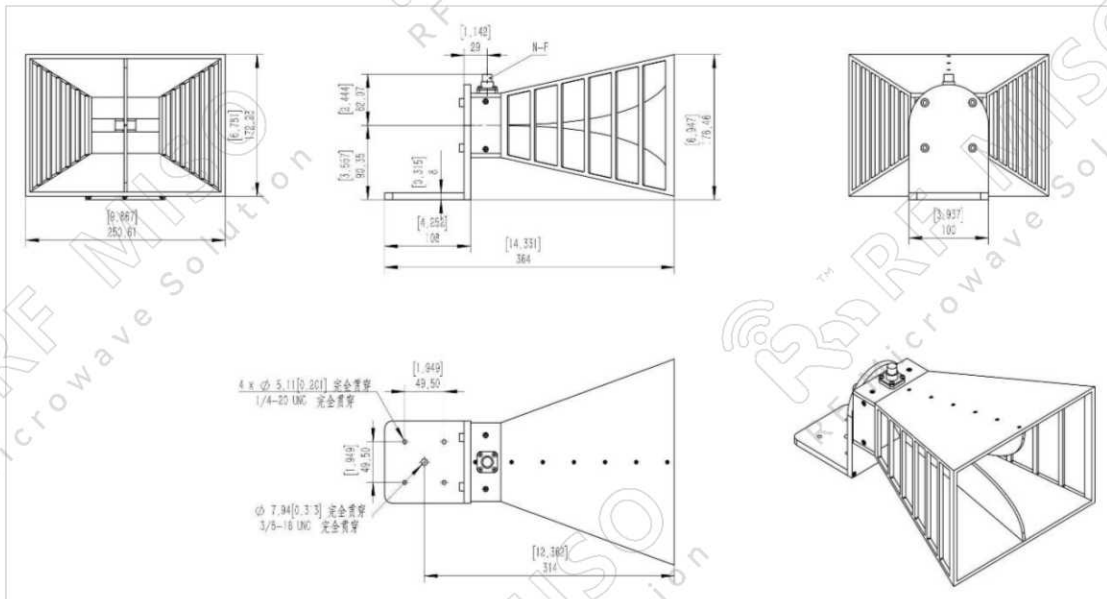


RM-BDHA14-10

Outline Drawing (Size: mm)



Outline Drawing with Mounting Bracket:



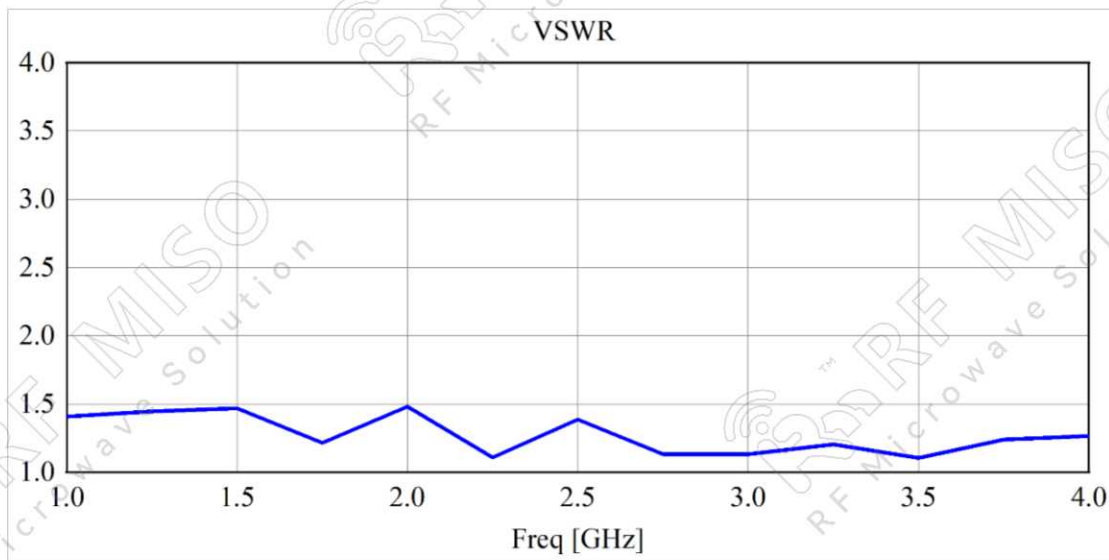
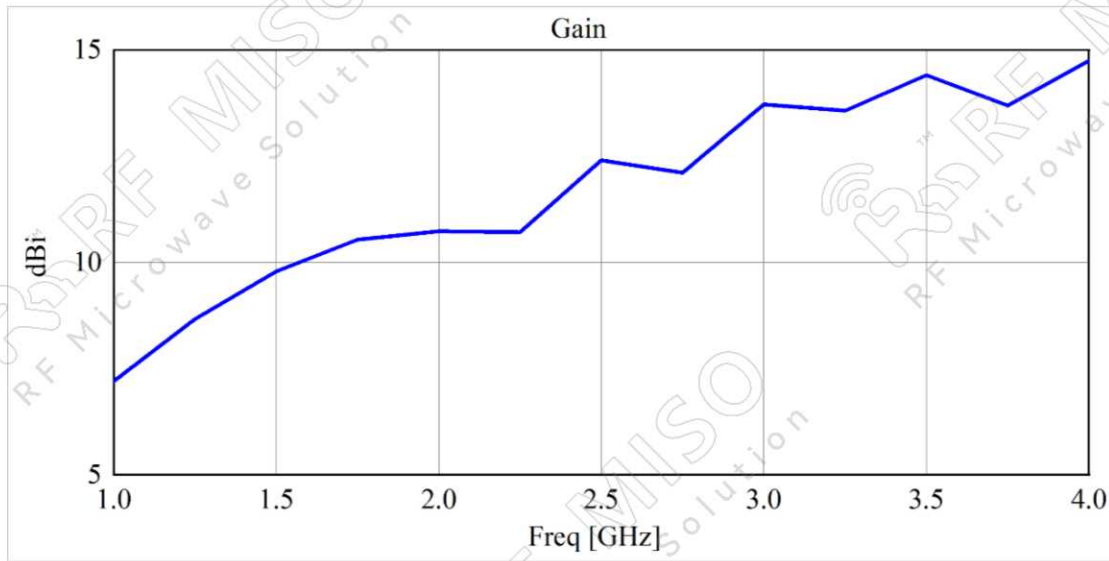
Broadband Horn Antenna
10 dBi Typ. Gain, 1 GHz-4 GHz Frequency Range



Broadband Horn Antenna Data Sheet

RM-BDHA14-10

Simulated Data

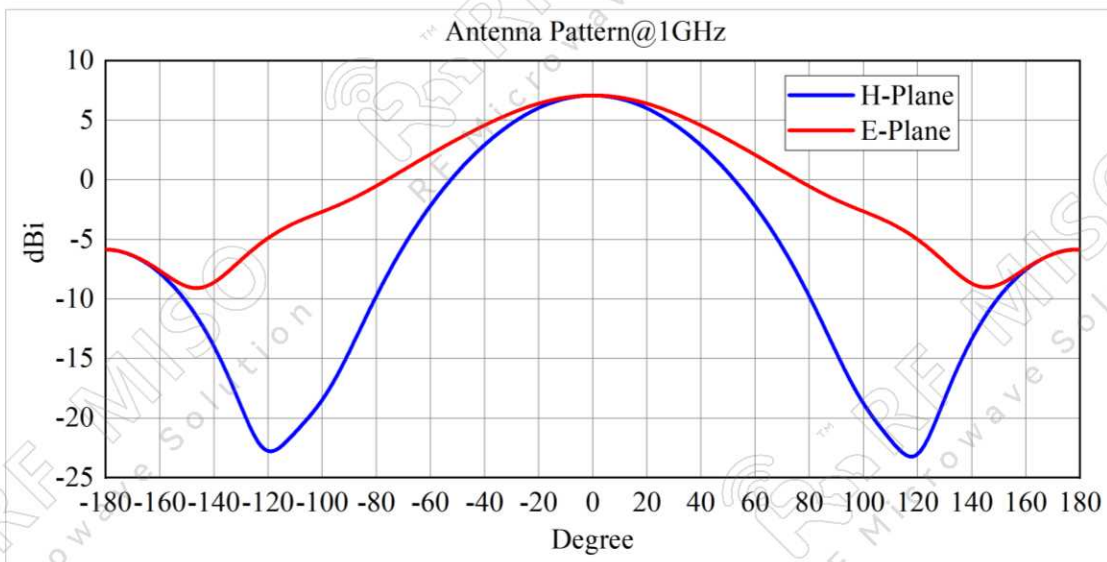
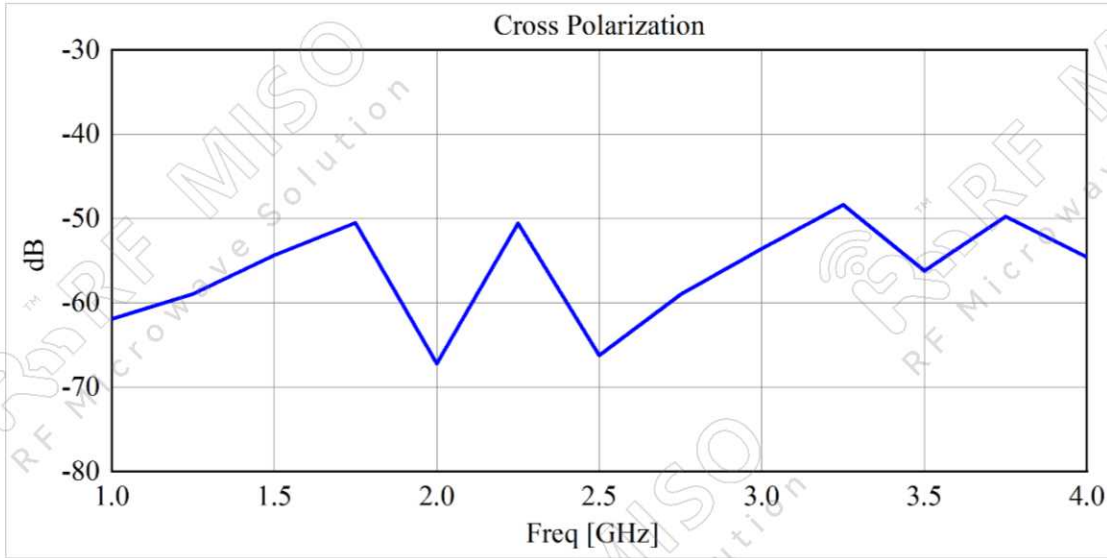




Broadband Horn Antenna
10 dBi Typ. Gain, 1 GHz-4 GHz Frequency Range

Broadband Horn Antenna Data Sheet

RM-BDHA14-10

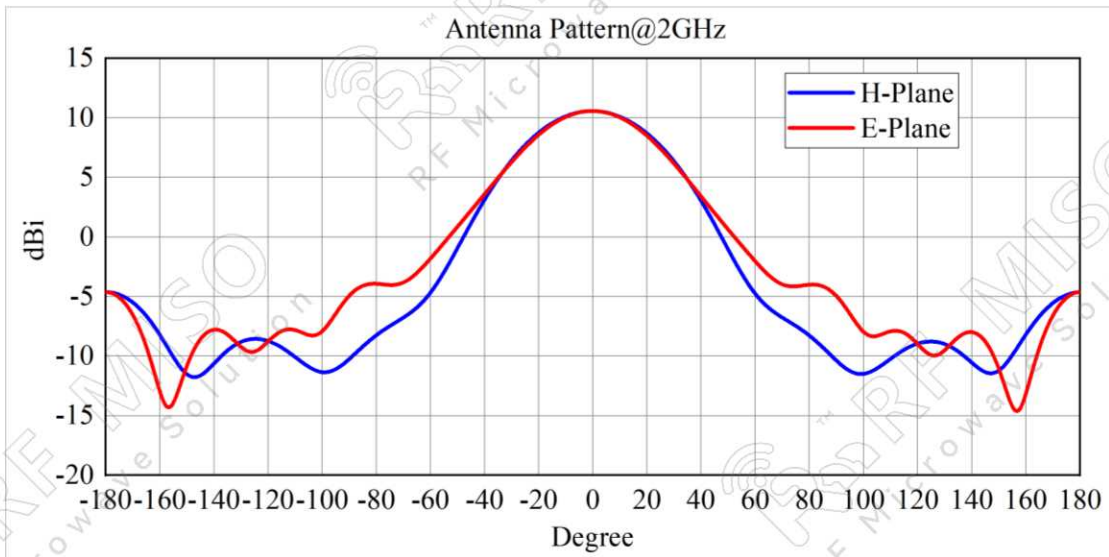
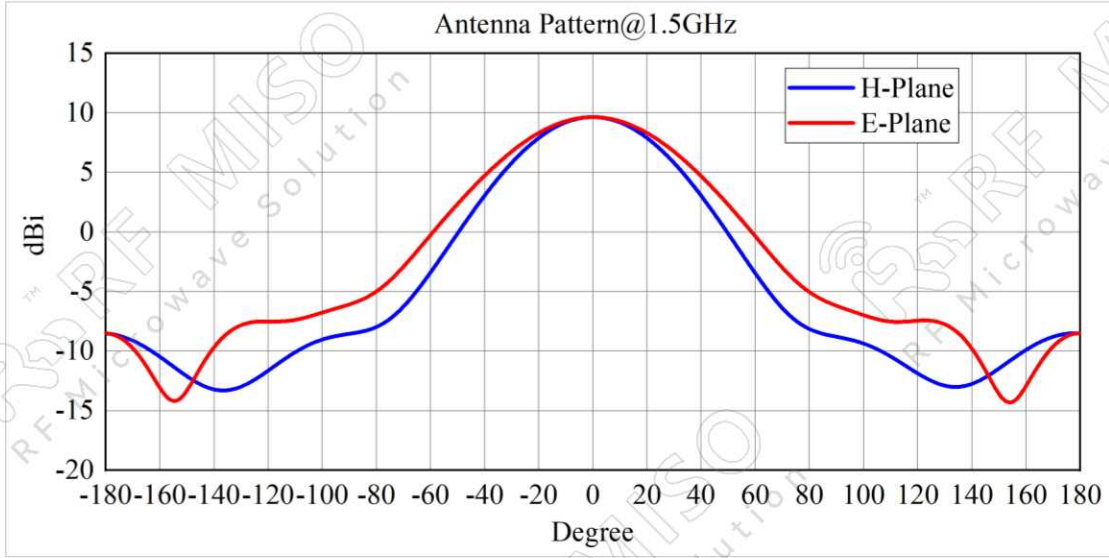




Broadband Horn Antenna
10 dBi Typ. Gain, 1 GHz-4 GHz Frequency Range

Broadband Horn Antenna Data Sheet

RM-BDHA14-10





Broadband Horn Antenna
10 dBi Typ. Gain, 1 GHz-4 GHz Frequency Range

Broadband Horn Antenna Data Sheet

RM-BDHA14-10

