



Broadband Horn Antenna
15 dBi Typ. Gain, 18 GHz-40 GHz Frequency Range

Broadband Horn Antenna Data Sheet

RM-BDHA1840-15B

Features

- Double-Ridge Waveguide
- Linear Polarization
- 2.92mm Female Connector
- Mounting Bracket Included

Description

The **RM-BDHA1840-15B** from RF MISO is a broadband gain horn antenna that operates from 18 to 40 GHz. The antenna offers a typical gain of 15 dBi and VSWR1.5:1 with a 2.92mm Female coaxial connector. Featuring high-power handling capability, low loss, high directivity and near constant electrical performance, the antenna is used in a variety of applications such as microwave testing, satellite antenna testing, direction finding, surveillance, plus EMC and antenna measurements.

Specifications

RM-BDHA1840-15B		
Item	Specification	Units
Frequency Range	18-40	GHz
Gain	15 Typ.	dBi
VSWR	1.5:1 Typ.	
Polarization	Linear	
Connector	2.92(K)-F	
Material	Al	
Surface Treatment	Paint	
Size	36.12*31.14*66.10	mm
Weight	0.143	kg

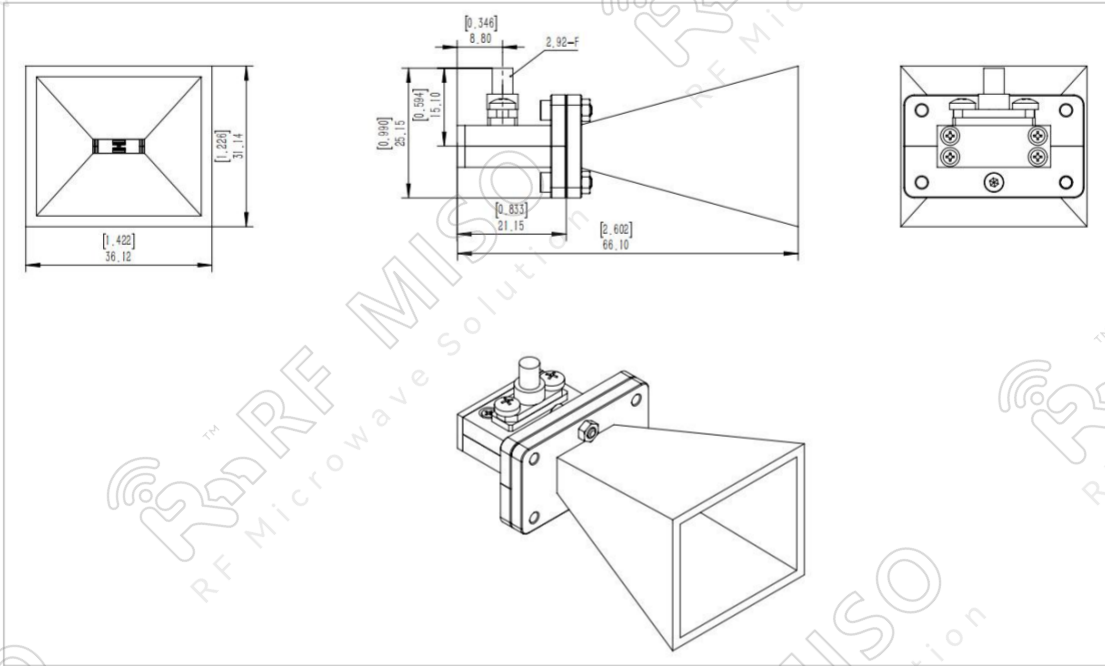


Broadband Horn Antenna
15 dBi Typ. Gain, 18 GHz-40 GHz Frequency Range

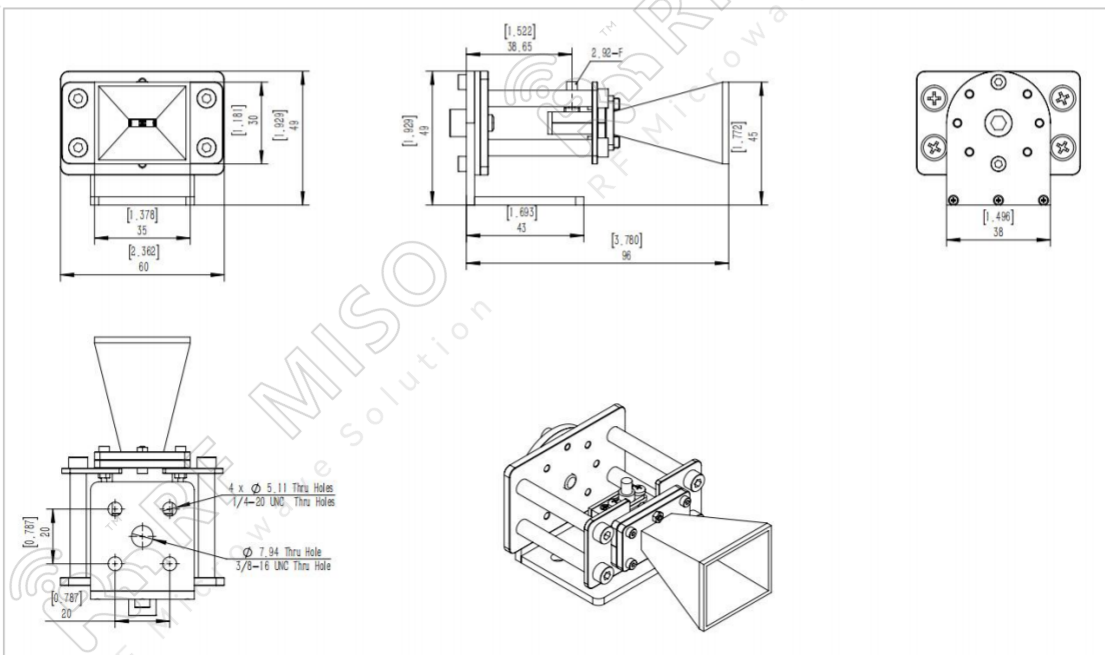
Broadband Horn Antenna Data Sheet

RM-BDHA1840-15B

Outline Drawing (Size: mm)



Outline Drawing with Mounting Bracket:



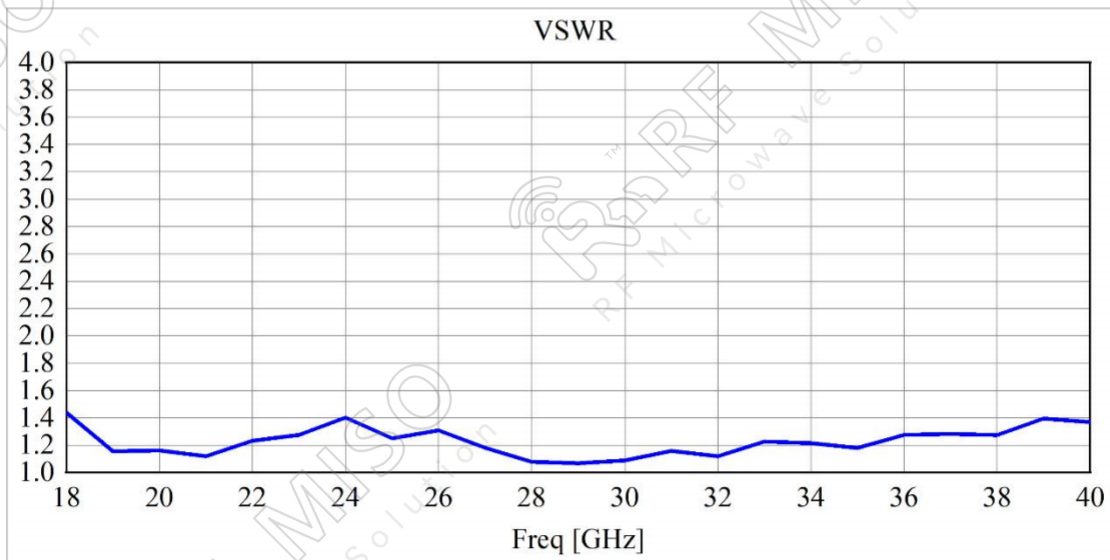
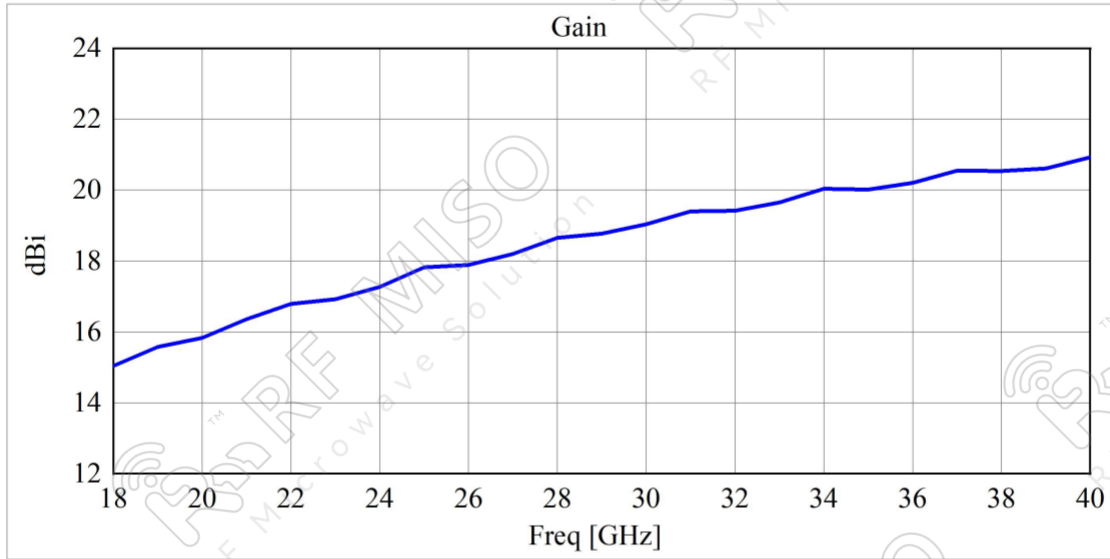


Broadband Horn Antenna
15 dBi Typ. Gain, 18 GHz-40 GHz Frequency Range

Broadband Horn Antenna Data Sheet

RM-BDHA1840-15B

Simulated Data

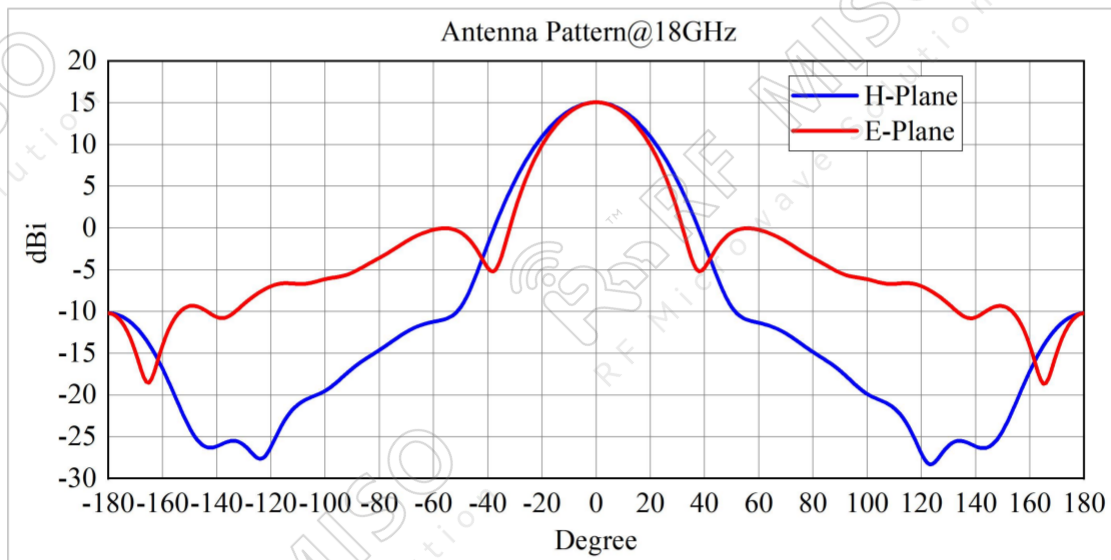
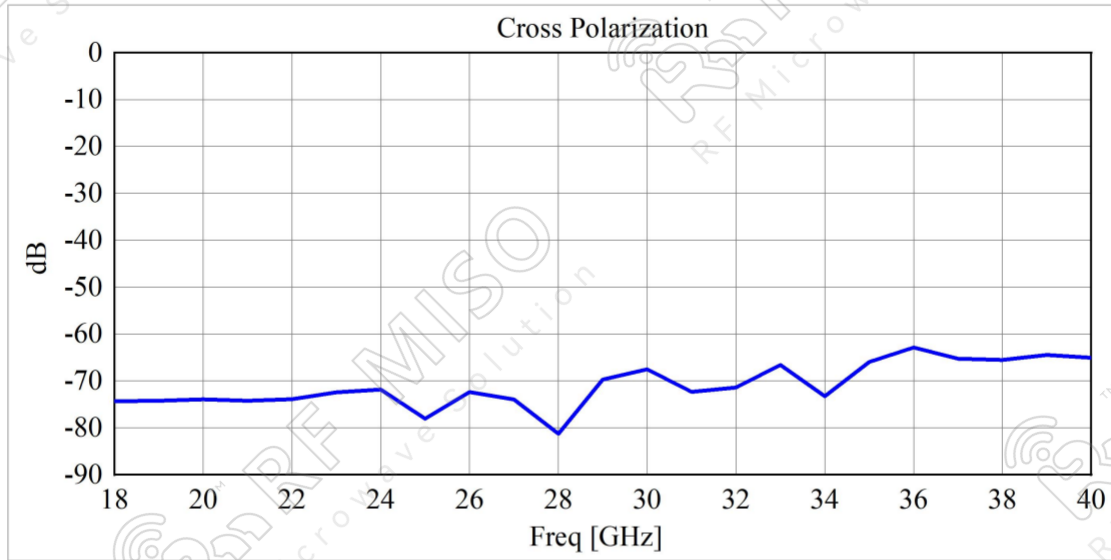




Broadband Horn Antenna
15 dBi Typ. Gain, 18 GHz-40 GHz Frequency Range

Broadband Horn Antenna Data Sheet

RM-BDHA1840-15B

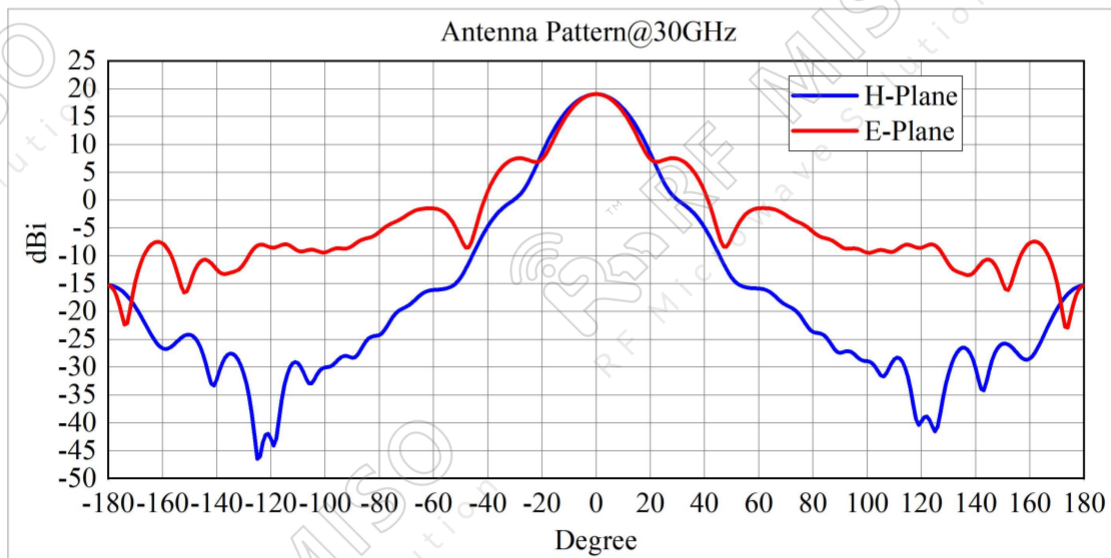
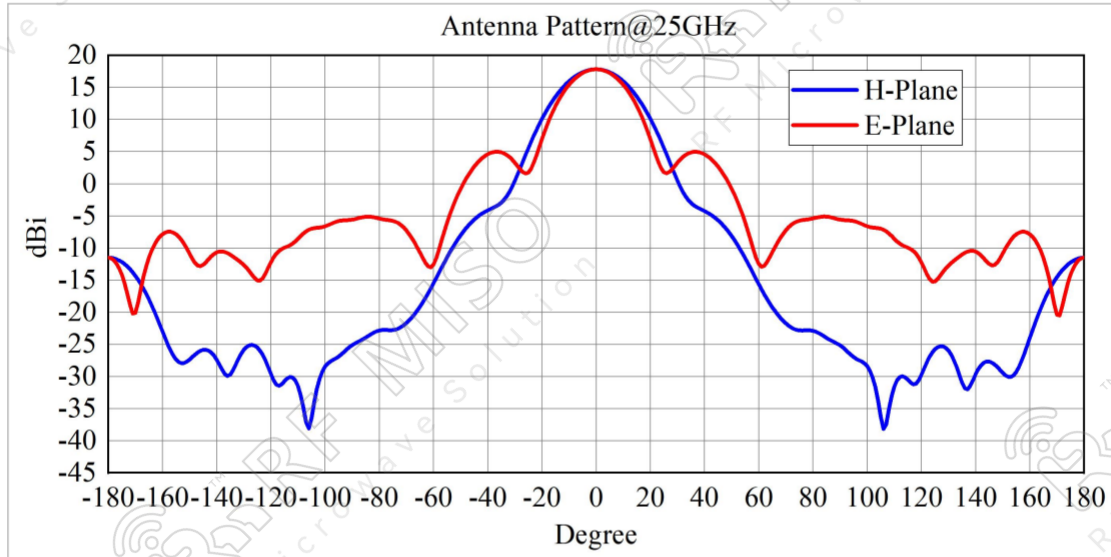




Broadband Horn Antenna
15 dBi Typ. Gain, 18 GHz-40 GHz Frequency Range

Broadband Horn Antenna Data Sheet

RM-BDHA1840-15B





Broadband Horn Antenna
15 dBi Typ. Gain, 18 GHz-40 GHz Frequency Range

Broadband Horn Antenna Data Sheet

RM-BDHA1840-15B

