



Broadband Horn Antenna
20 dBi Typ. Gain, 18 GHz-50 GHz Frequency

Broadband Horn Antenna Data Sheet

RM-BDHA1850-20

Features

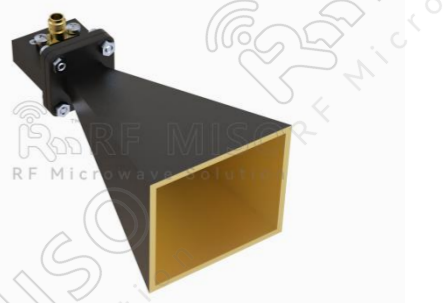
- Low VSWR
- Linear Polarization
- 2.4mm Female Connector
- Mounting Bracket Included

Description

The **RM-BDHA1850-20** from RF MISO is a broadband gain horn antenna that operates from 18 to 50 GHz. The antenna offers a typical gain of 20 dBi and VSWR1.5:1 with a 2.4mm Female coaxial connector. Featuring high-power handling capability, low loss, high directivity and near constant electrical performance, the antenna is used in a variety of applications such as microwave testing, satellite antenna testing, direction finding, surveillance, plus EMC and antenna measurements.

Specifications

RM-BDHA1850-20		
Item	Specification	Units
Frequency Range	18-50	GHz
Gain	20 Typ.	dBi
VSWR	1.5:1 Typ.	
Polarization	Linear	
Connector	2.4mm-F	
Material	Al	
Surface Treatment	Paint	
Size	49.11*42.11*98.15	mm

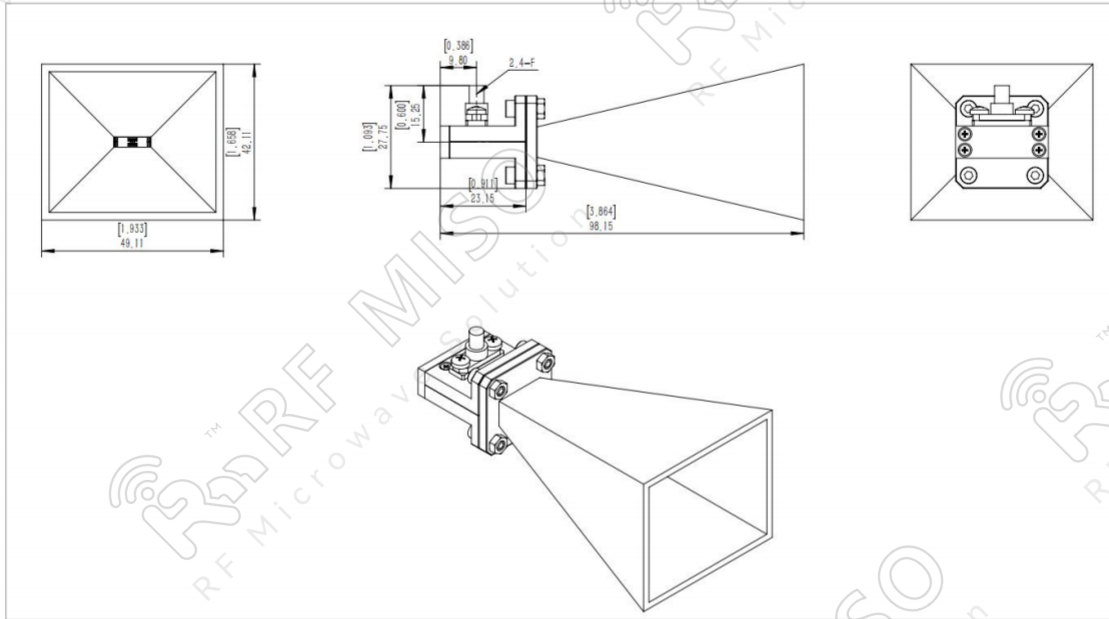


Broadband Horn Antenna
20 dBi Typ. Gain, 18 GHz-50 GHz Frequency

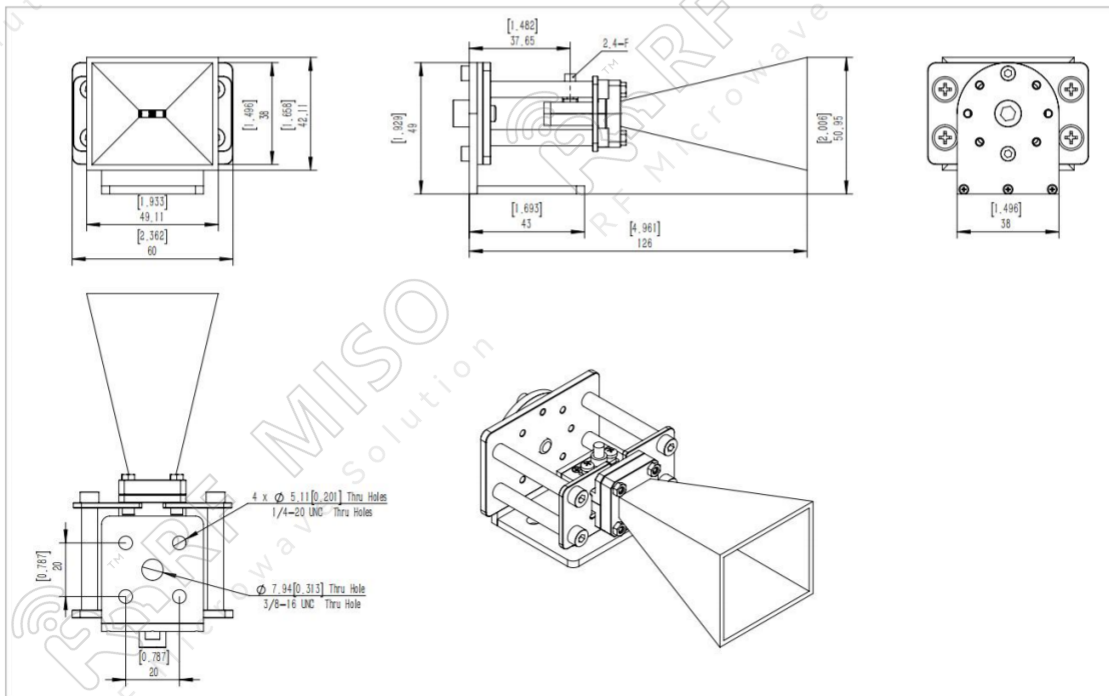
Broadband Horn Antenna Data Sheet

RM-BDHA1850-20

Outline Drawing (Size: mm)



Outline Drawing with Mounting Bracket:



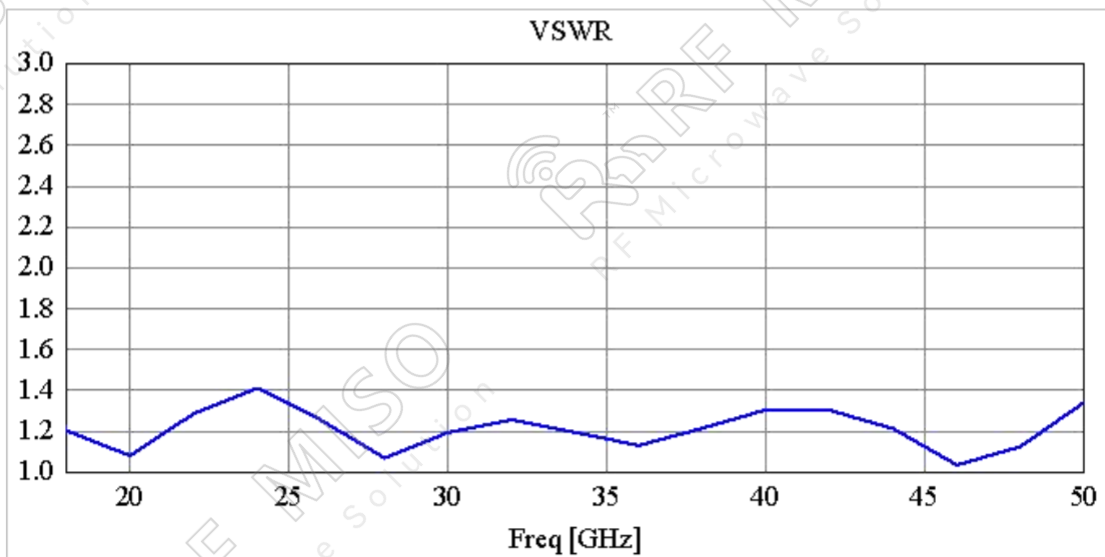
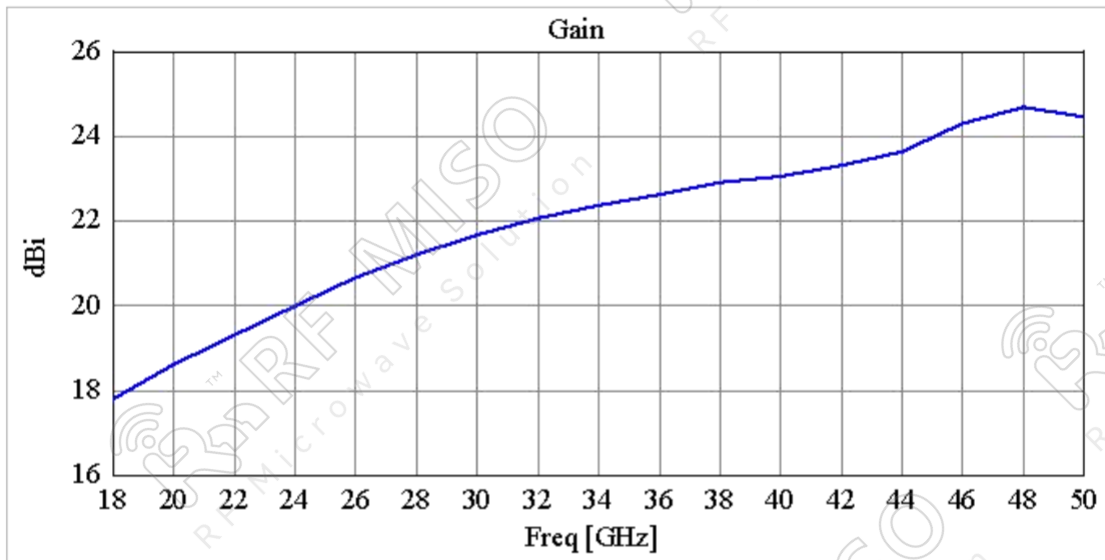


Broadband Horn Antenna
20 dBi Typ. Gain, 18 GHz-50 GHz Frequency

Broadband Horn Antenna Data Sheet

RM-BDHA1850-20

Simulated Data

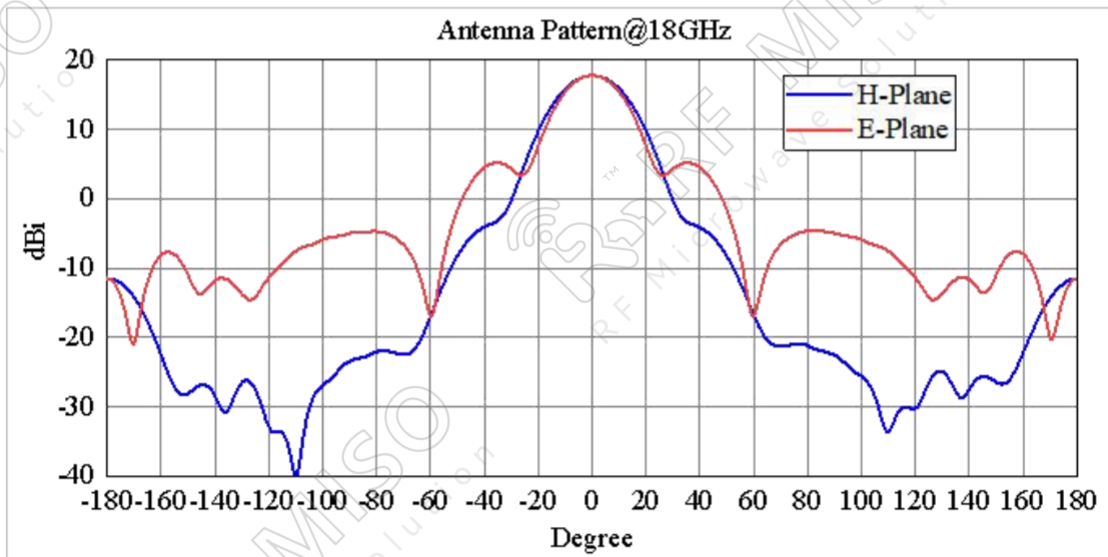
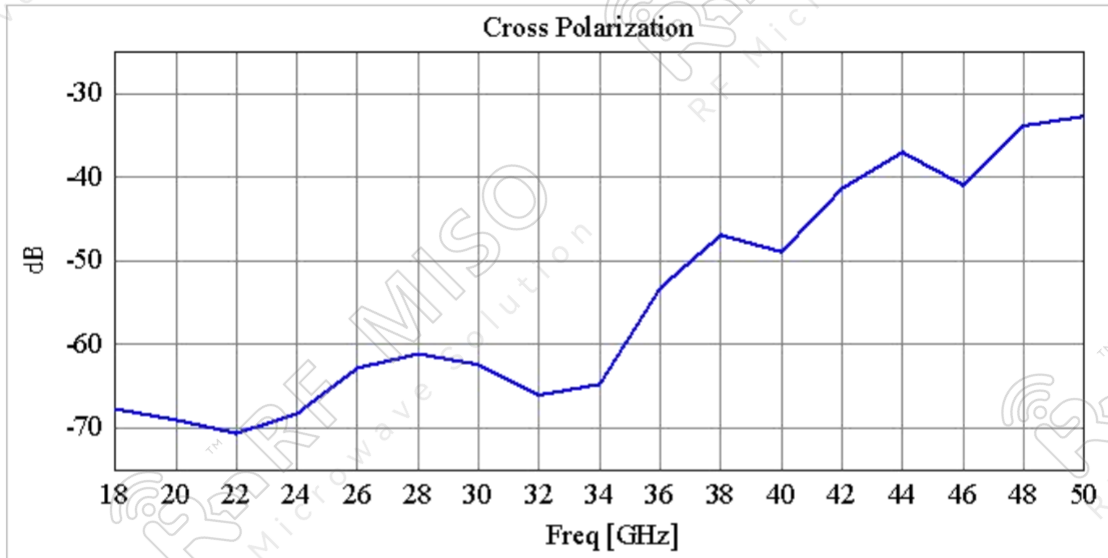




Broadband Horn Antenna
20 dBi Typ. Gain, 18 GHz-50 GHz Frequency

Broadband Horn Antenna Data Sheet

RM-BDHA1850-20

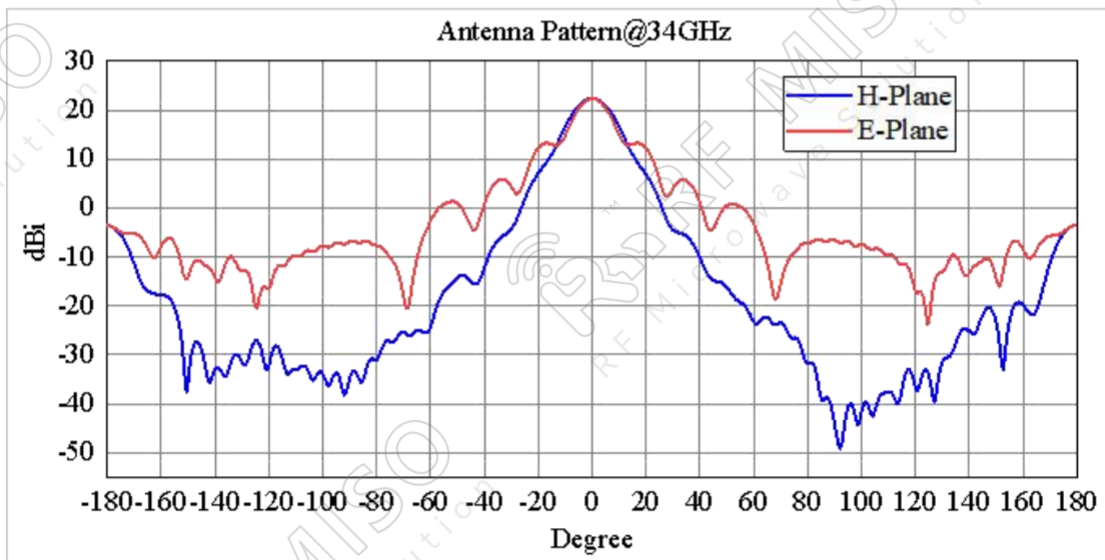
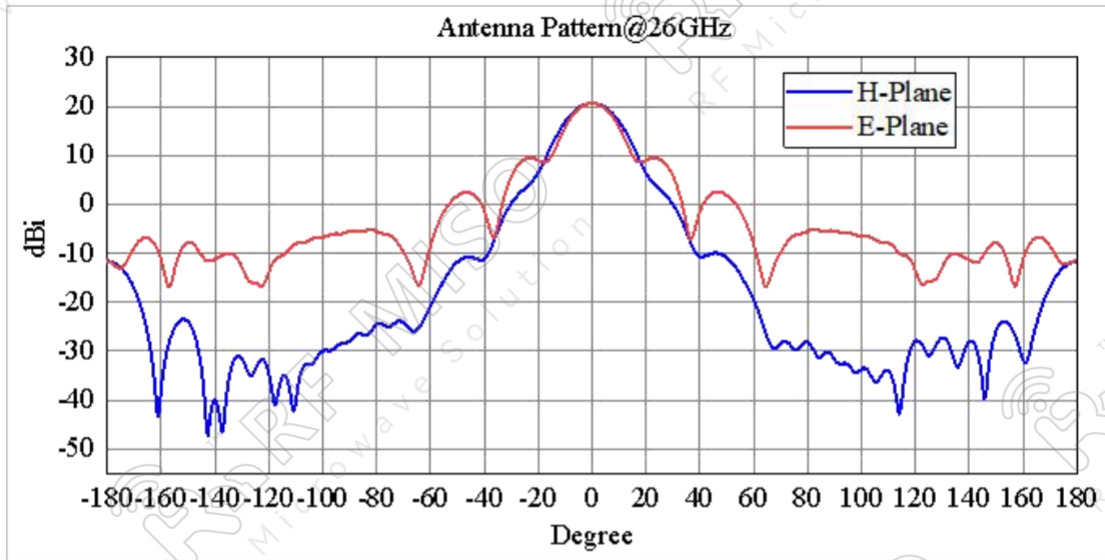




Broadband Horn Antenna
20 dBi Typ. Gain, 18 GHz-50 GHz Frequency

Broadband Horn Antenna Data Sheet

RM-BDHA1850-20





Broadband Horn Antenna
20 dBi Typ. Gain, 18 GHz-50 GHz Frequency

Broadband Horn Antenna Data Sheet

RM-BDHA1850-20

