



Broadband Horn Antenna
10 dBi Typ. Gain, 2-18GHz Frequency Range

Broadband Horn Antenna Data Sheet

RM-BDHA218-10

Features

- Ideal for Antenna Measurements
- Linear Polarization
- Broadband Operation
- Small Size

Description

The **RM-BDHA218-10** is a linear polarized broadband horn antenna that operates in the frequency range of 2 GHz to 18 GHz. The antenna offers a typical gain of 10dBi and low VSWR 1.5:1 with SMA-KFD connector. The antenna supports linear polarized waveforms. It is suitable for extensive applications such as EMC/EMI testing, surveillance, direction finding, as well as antenna gain and pattern measurements.

Specifications

RM-BDHA218-10		
Item	Specification	Units
Frequency Range	2-18	GHz
Gain	10 Typ.	dBi
VSWR	1.5:1	
Polarization	Linear	
Connector	SMA-KFD	
Finishing	Paint	
Material	Al	dB
Size	142*106.1*89.9	mm
Weight	1.015	kg

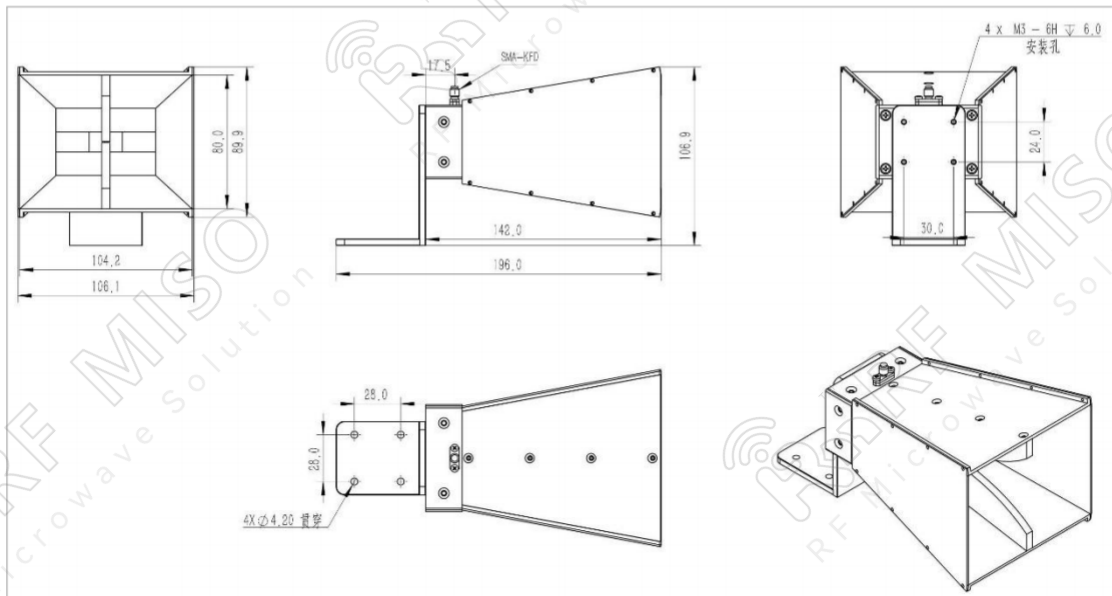
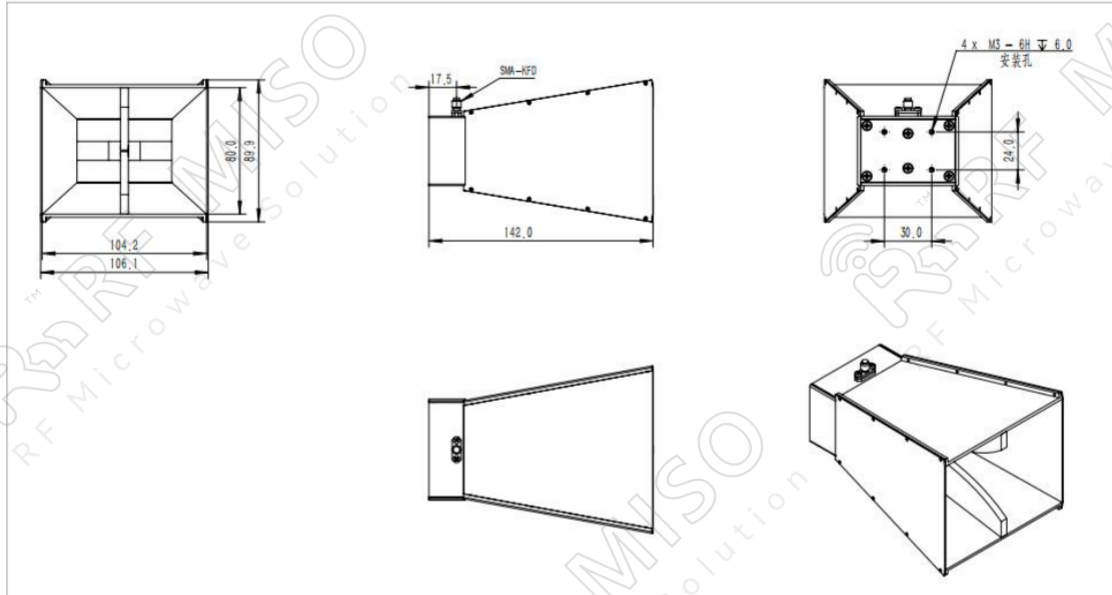


Broadband Horn Antenna
10 dBi Typ. Gain, 2-18GHz Frequency Range

Broadband Horn Antenna Data Sheet

RM-BDHA218-10

Outline Drawing



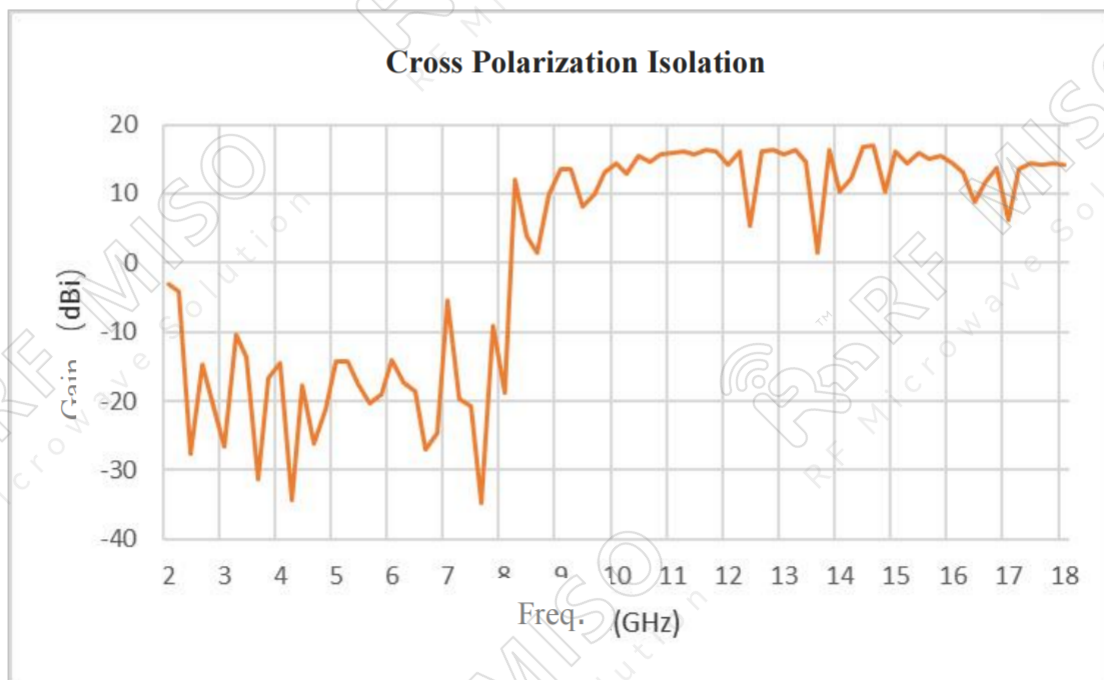


Broadband Horn Antenna
10 dBi Typ. Gain, 2-18GHz Frequency Range

Broadband Horn Antenna Data Sheet

RM-BDHA218-10

Test Results



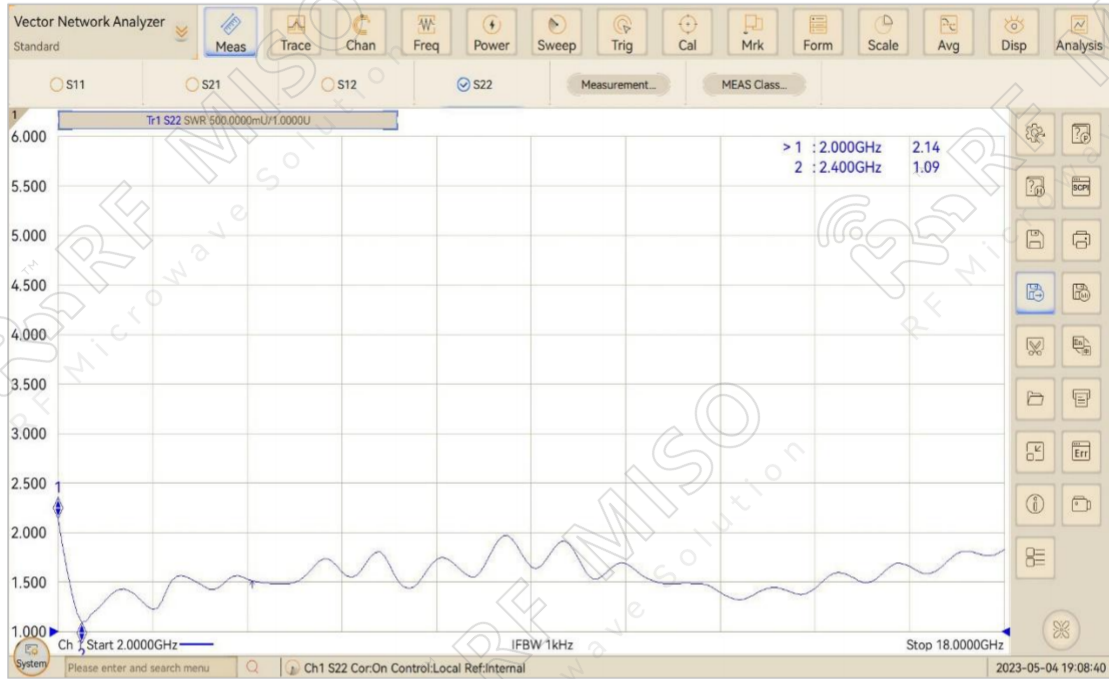


Broadband Horn Antenna
10 dBi Typ. Gain, 2-18GHz Frequency Range

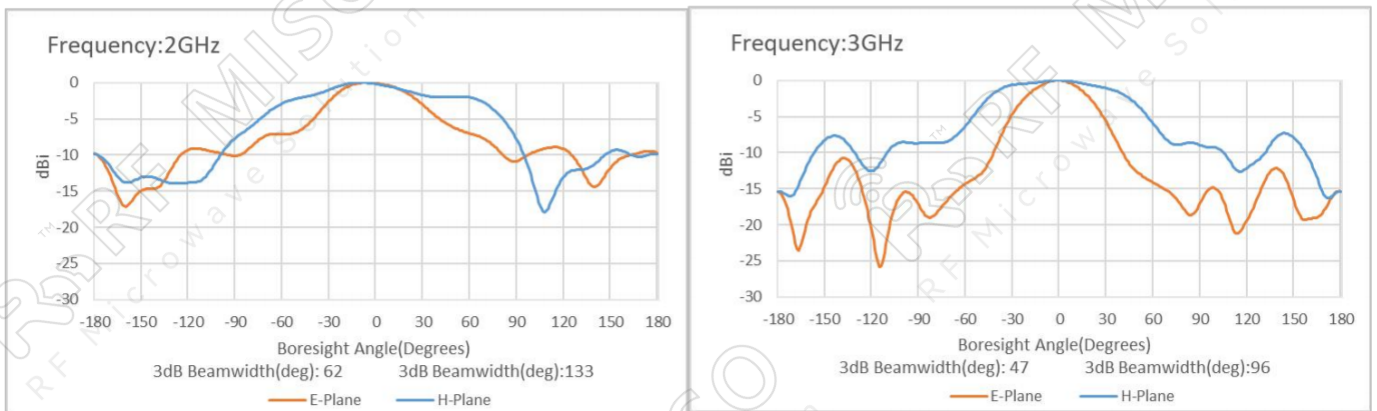
Broadband Horn Antenna Data Sheet

RM-BDHA218-10

VSWR



Pattern





Broadband Horn Antenna
10 dBi Typ. Gain, 2-18GHz Frequency Range

Broadband Horn Antenna Data Sheet

RM-BDHA218-10

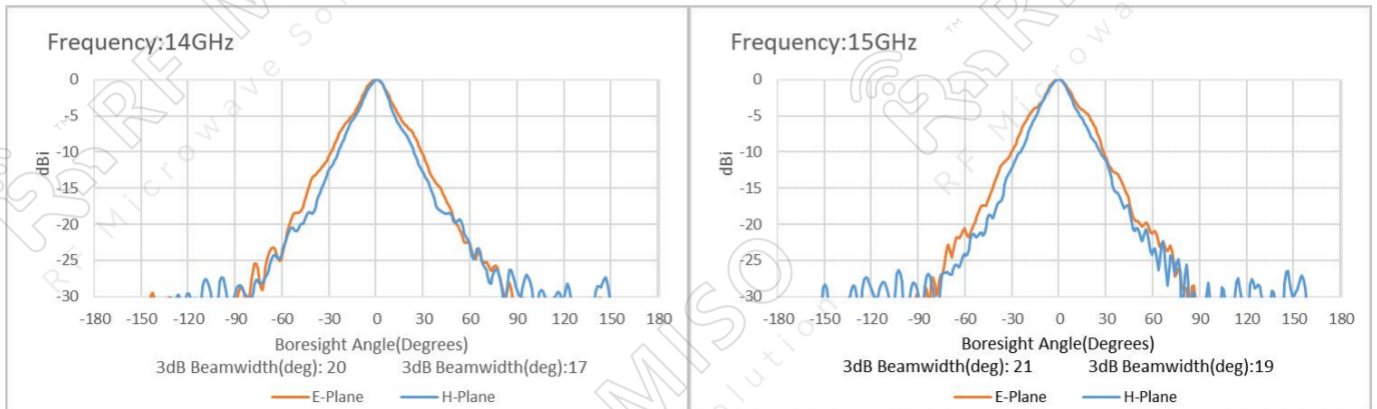
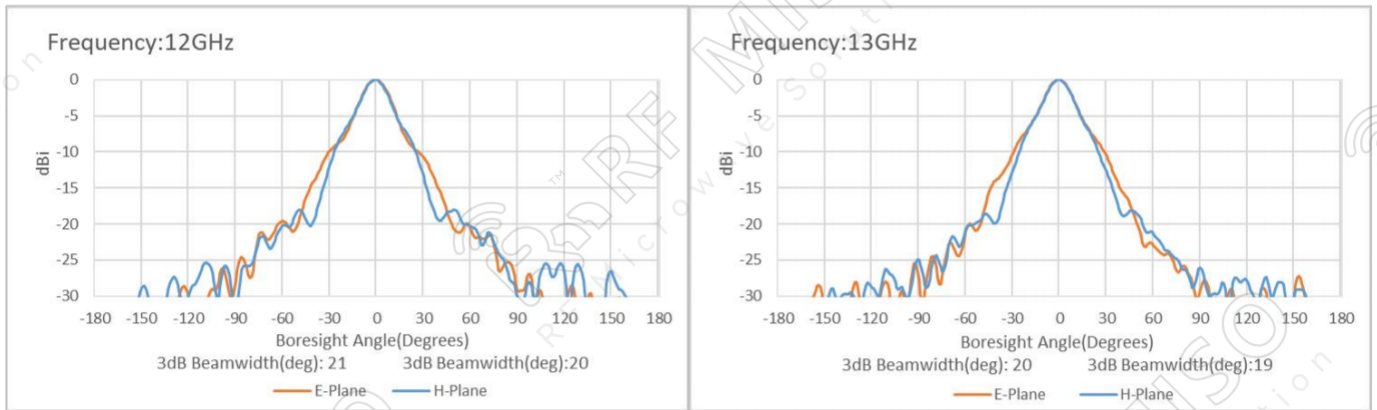
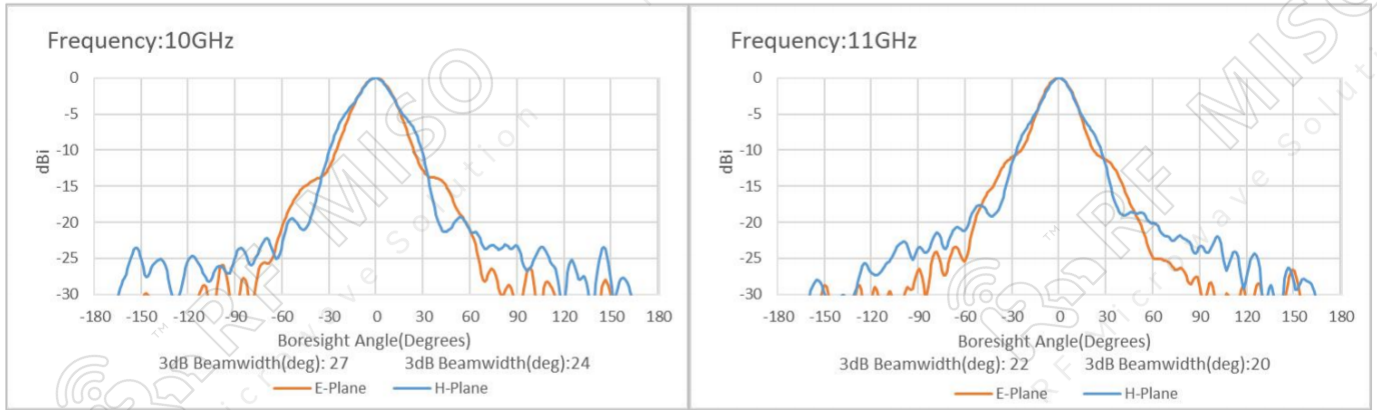




Broadband Horn Antenna
10 dBi Typ. Gain, 2-18GHz Frequency Range

Broadband Horn Antenna Data Sheet

RM-BDHA218-10





Broadband Horn Antenna
10 dBi Typ. Gain, 2-18GHz Frequency Range

Broadband Horn Antenna Data Sheet

RM-BDHA218-10

