

Broadband Horn Antenna Data Sheet

RM-BDHA3337-25

Features

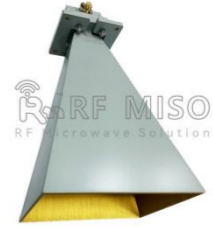
- Ideal for Antenna Measurements
- Low VSWR
- High Gain
- Broadband Operation
- Linear Polarization
- Small Size

Descriptions

RF MISO's **Model RM-BDHA3337-25** is a linear polarized broadband horn antenna that operates from 33 to 37 GHz. The antenna offers a gain greater than 25 dBi and low VSWR 1.5:1 with 2.92-KFD connector. The antenna is used for long time trouble-free applications in indoor and outdoor environments. It can be widely used in EMI detection, orientation, reconnaissance, antenna gain and pattern measurement and other applications.

Specifications

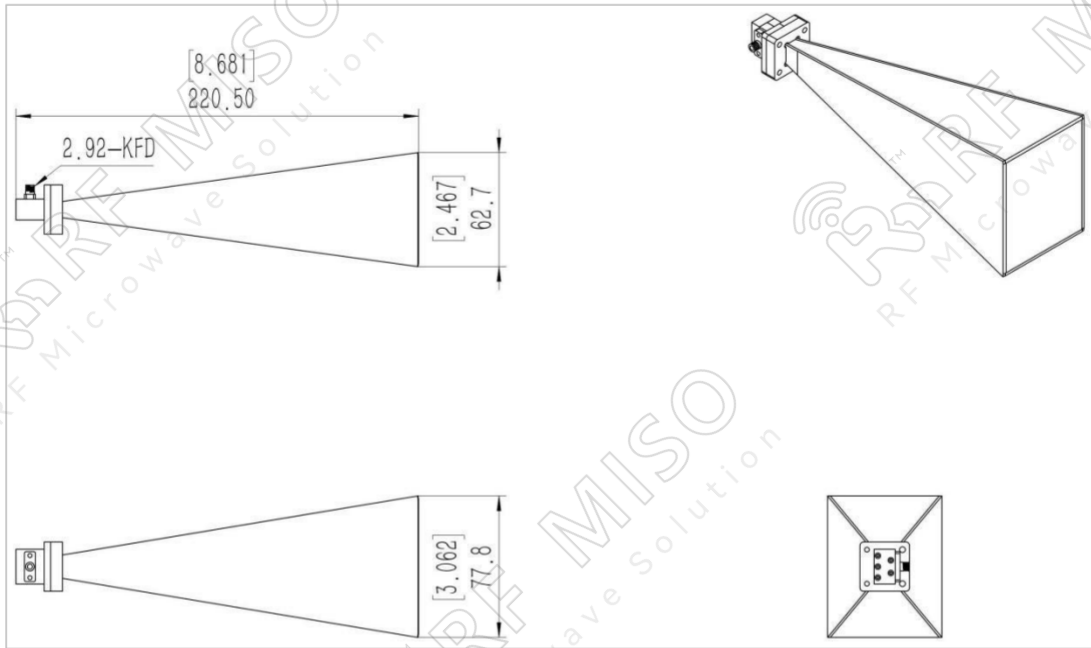
RM-BDHA3337-25		
Parameters	Typical	Units
Frequency Range	33-37	GHz
Gain	≥25	dBi
VSWR	≤1.5	
Polarization	Linear	
Connector	2.92-KFD	
Finishing	Paint	
Material	Al	
Size	220.5*77.8*62.7(L*W*H)	mm
Weight	0.399	Kg



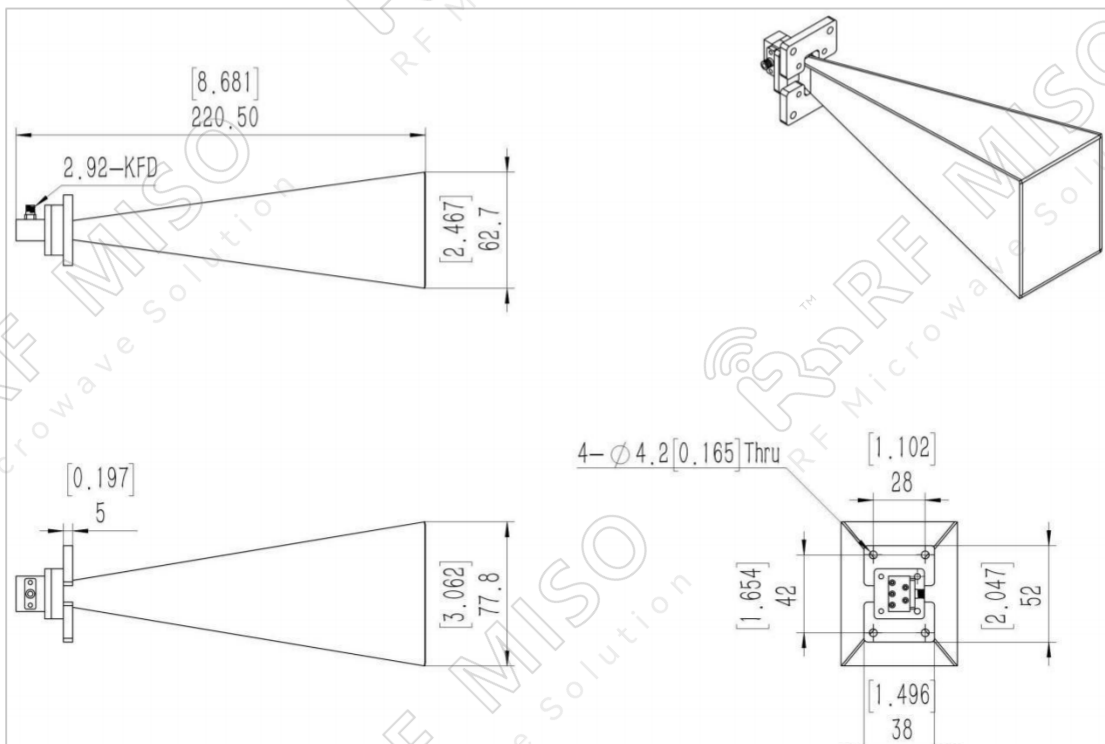
Broadband Horn Antenna Data Sheet

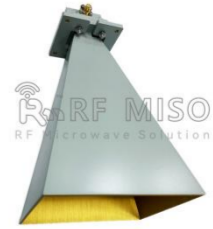
RM-BDHA3337-25

Outline Drawing



Outline Drawing with Mounting Bracket



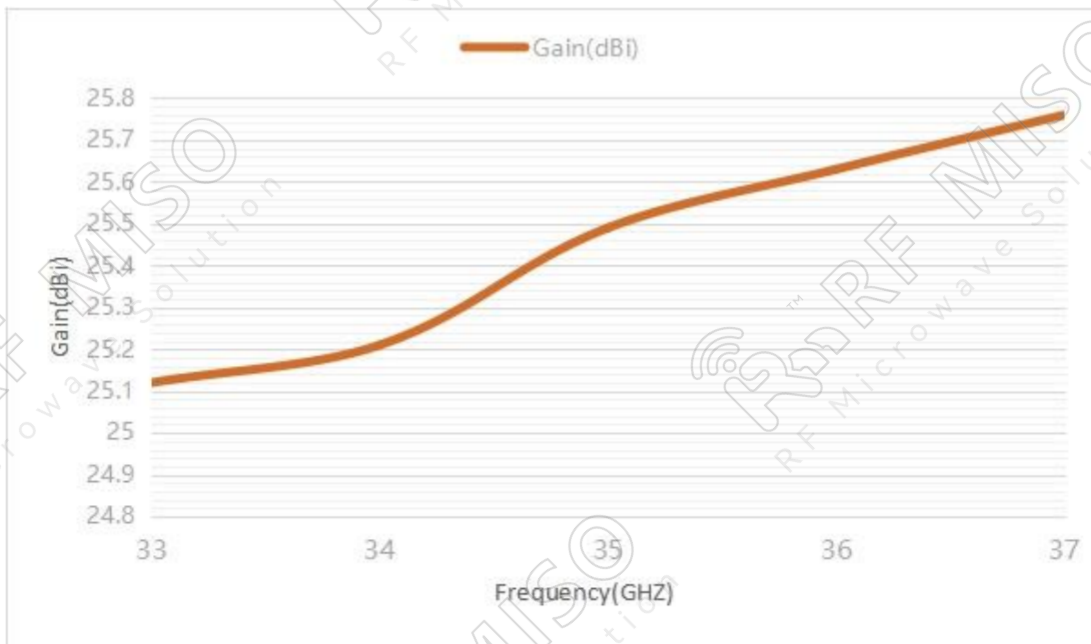
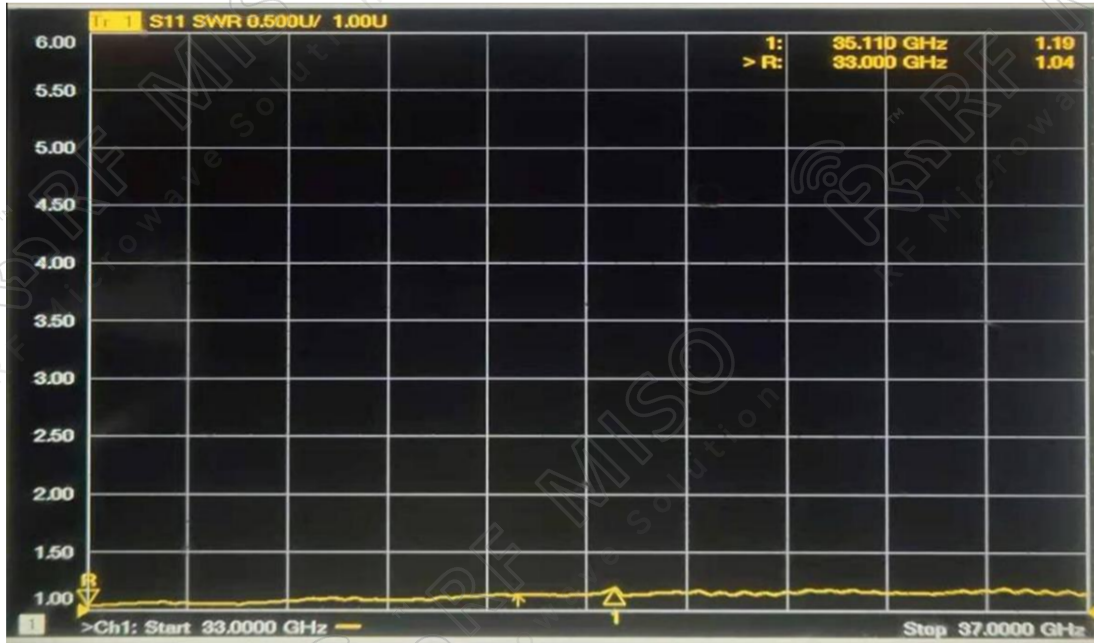


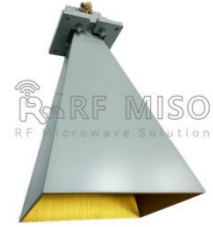
Broadband Horn Antenna Data Sheet

RM-BDHA3337-25

Test Result

VSWR

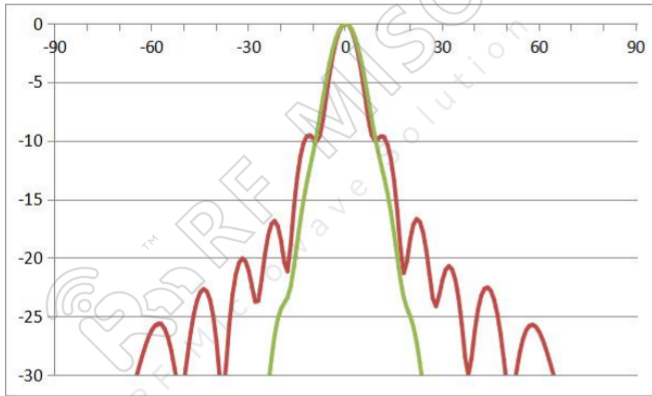




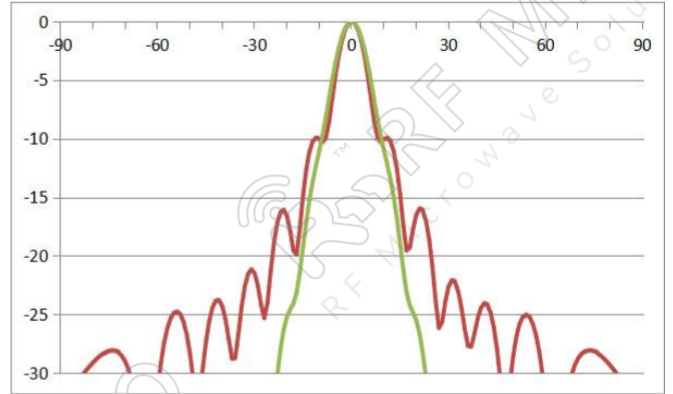
Broadband Horn Antenna Data Sheet

RM-BDHA3337-25

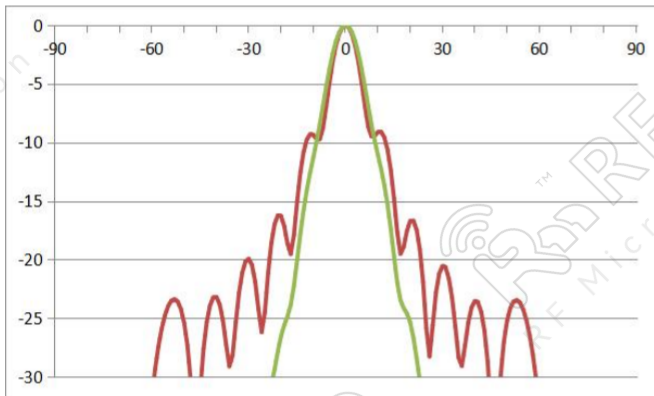
Gain Pattern



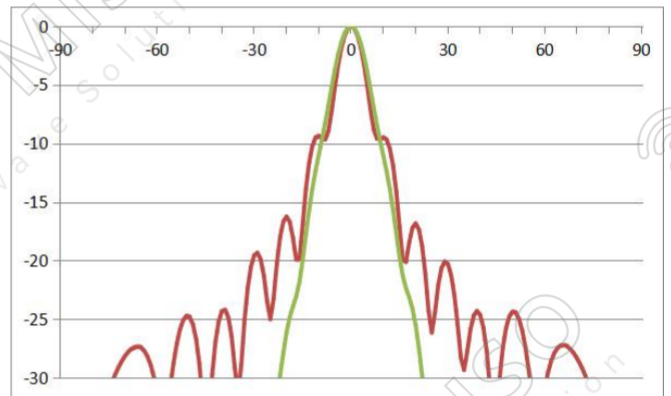
33GHz



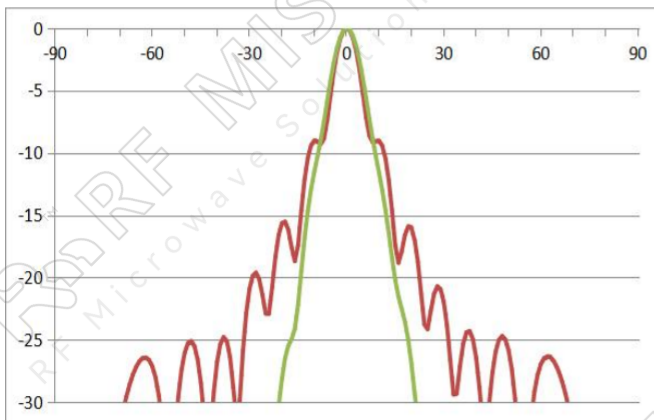
34GHz



35GHz



36GHz



37GHz