



*Broadband Horn Antenna  
22 dBi Typ. Gain, 4-8 GHz Frequency Range*

## Broadband Horn Antenna Data Sheet

**RM-BDHA48-22**

### Features

- Ideal for Antenna Measurements
- Low VSWR
- High Gain
- Broadband Operation
- Linear Polarization
- RF connector

### Descriptions

RF MISO's **Model RM-BDHA48-22** is a linear polarized broadband horn antenna that operates from 4 to 8 GHz. The antenna offers a typical gain of 22 dBi and low VSWR 1.5:1 with SMA-KFD connector. It can be widely used in EMI detection, orientation, reconnaissance, antenna gain and pattern measurement and other applications

### Specifications

<b>RM-BDHA48-22</b>		
Parameters	Typical	Units
Frequency Range	4-8	GHz
Gain	22 Typ.	dBi
VSWR	1.5 Typ.	
Polarization	Linear	
Connector	SMA-KFD	
Material	Al	
Finishing	Paint	
Size	602.5*338.4*267.8(L*W*H)	mm
Weight	1.552	kg

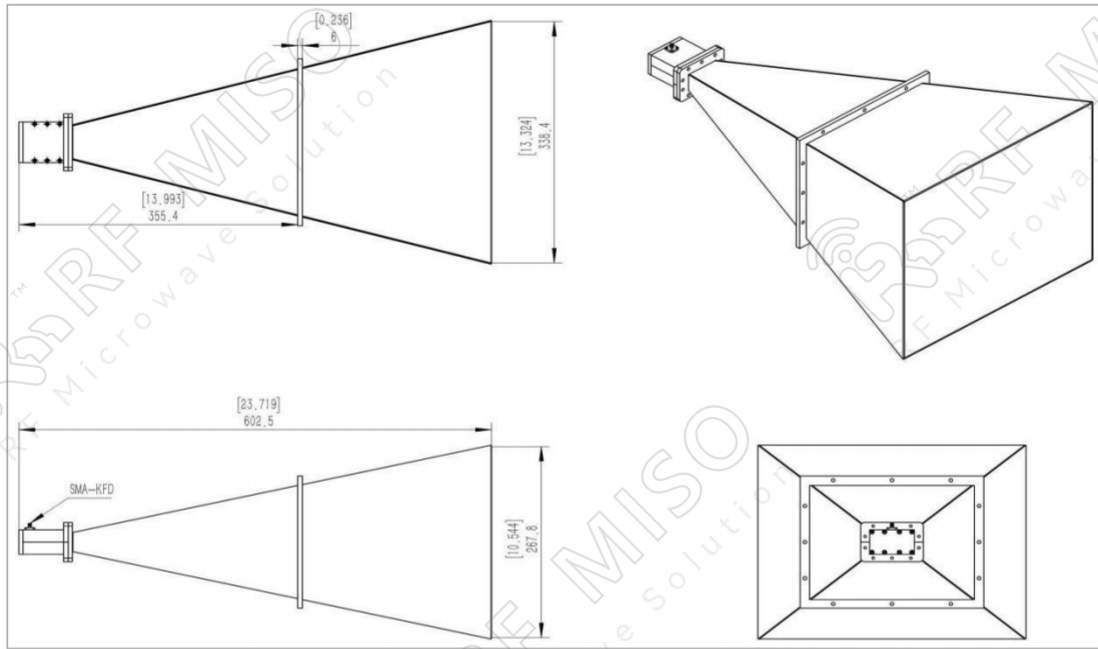


Broadband Horn Antenna  
22 dBi Typ. Gain, 4-8 GHz Frequency Range

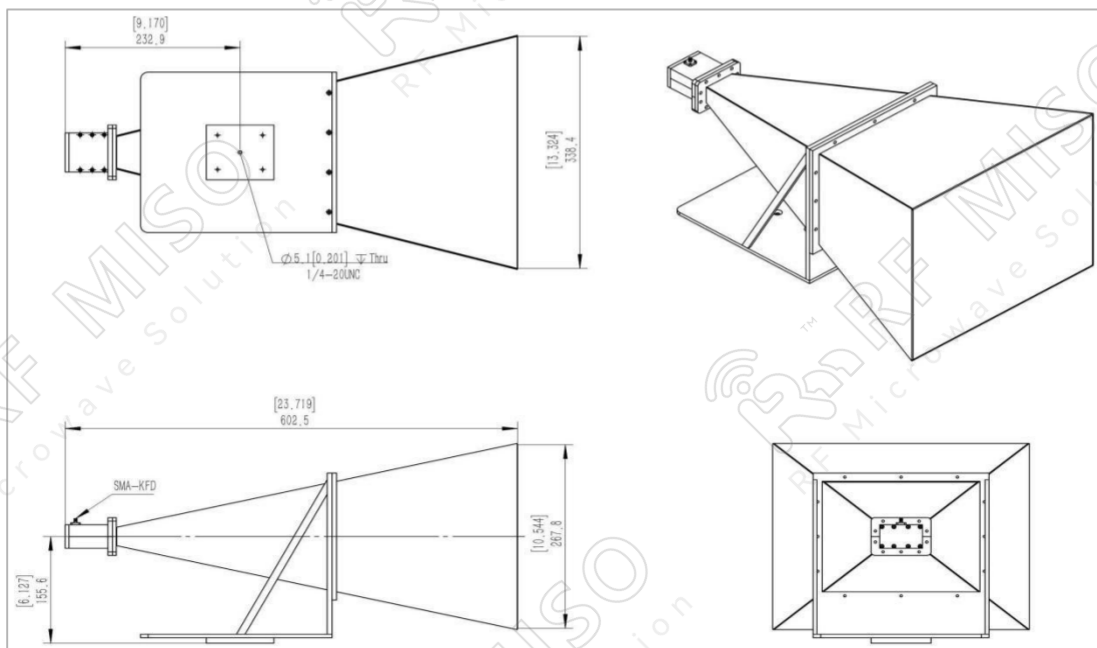
**Broadband Horn Antenna Data Sheet**

**RM-BDHA48-22**

**Outline Drawing**



**Outline Drawing with Mounting Bracket**





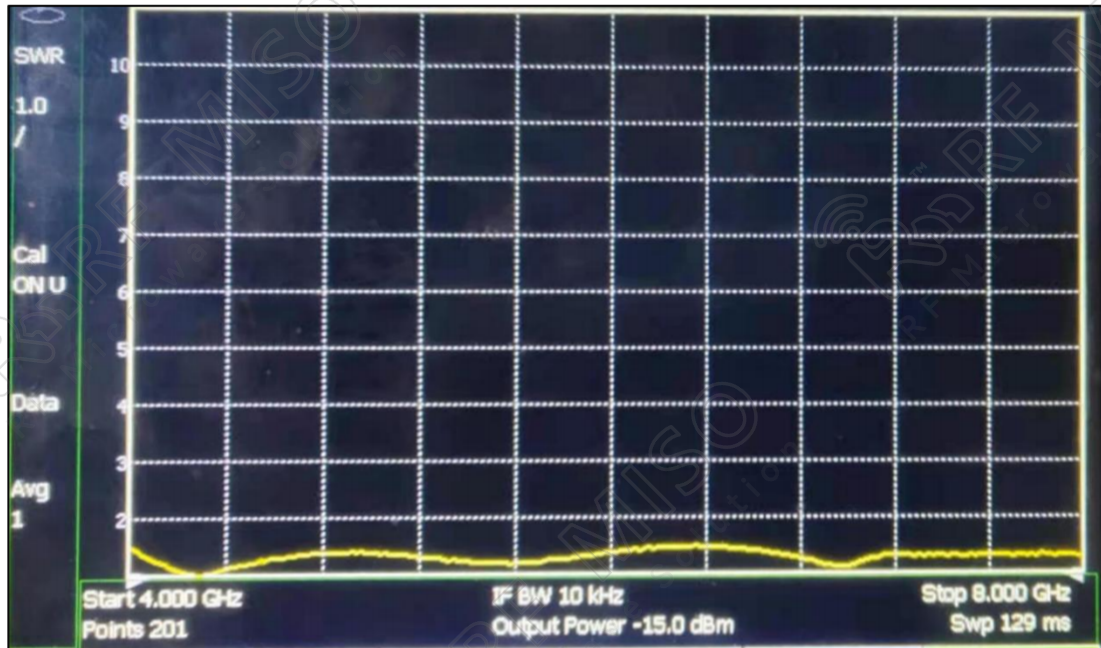
Broadband Horn Antenna  
22 dBi Typ. Gain, 4-8 GHz Frequency Range

**Broadband Horn Antenna Data Sheet**

**RM-BDHA48-22**

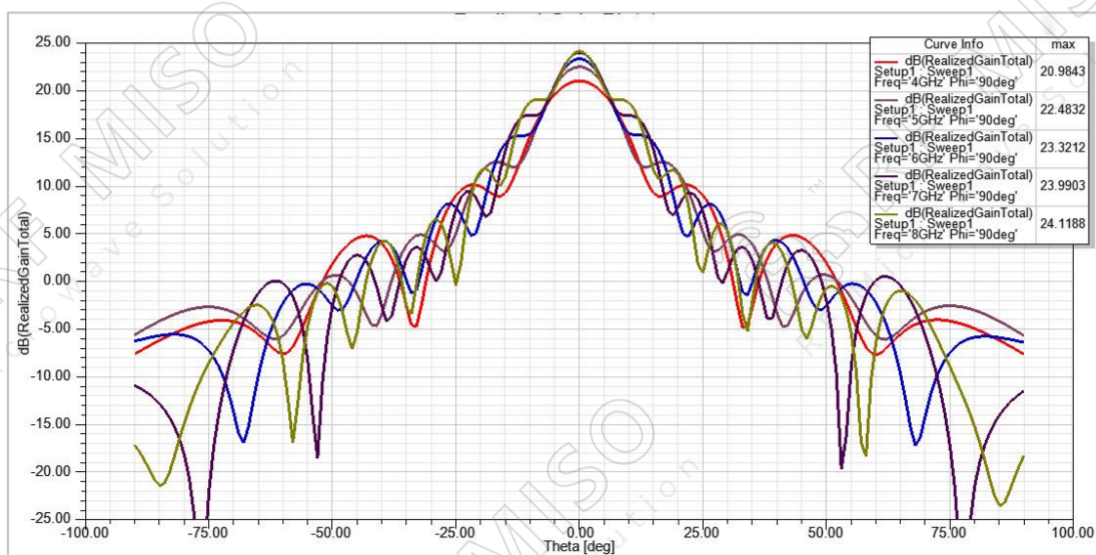
**Test Result**

**VSWR**



**Simulated Data**

**Gain Pattern E Plane**





Broadband Horn Antenna  
22 dBi Typ. Gain, 4-8 GHz Frequency Range

**Broadband Horn Antenna Data Sheet**

**RM-BDHA48-22**

Gain Pattern E Plane

