

Broadband Horn Antenna
18 dBi Typ. Gain, 6-18GHz Frequency Range

Broadband Horn Antenna Data Sheet

RM-BDHA618-18

Features

- Ideal for Antenna Measurements
- Linear Polarization
- Broadband Operation
- Double-Ridged Waveguide

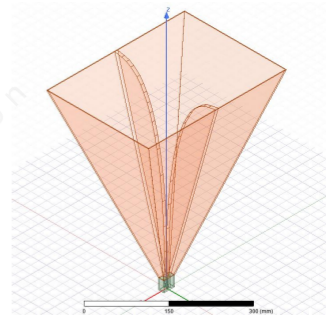
Description

The **RM-BDHA618-18** is a linear polarized broadband horn antenna that operates in the frequency range of 6GHz to 18GHz. The antenna offers a typical gain of 18dBi and low VSWR 1.3:1 with SMA-F connector. The antenna supports linear polarized waveforms. It is suitable for extensive applications such as EMC/EMI testing, surveillance, direction finding, as well as antenna gain and pattern measurements.

Specifications

RM-BDHA618-18		
Item	Specification	Units
Frequency Range	6-18	GHz
Gain	18 Typ.	dBi
VSWR	1.3:1	
Polarization	Linear	
Connector	SMA-Female	
Finishing	Paint	
Material	Al	dB
Average Power	50	W
Size(L*W*H)	453*346.3*256.2 (±5)	mm
Weight	2.299	kg

Broadband Horn Antenna
18 dBi Typ. Gain, 6-18GHz Frequency Range

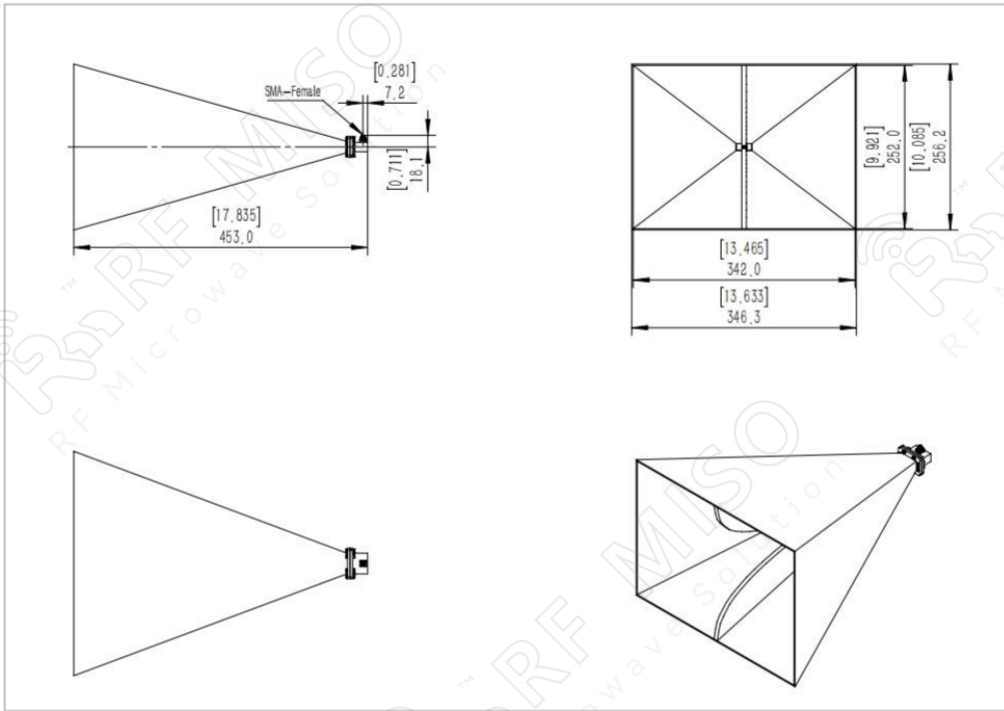


Broadband Horn Antenna Data Sheet

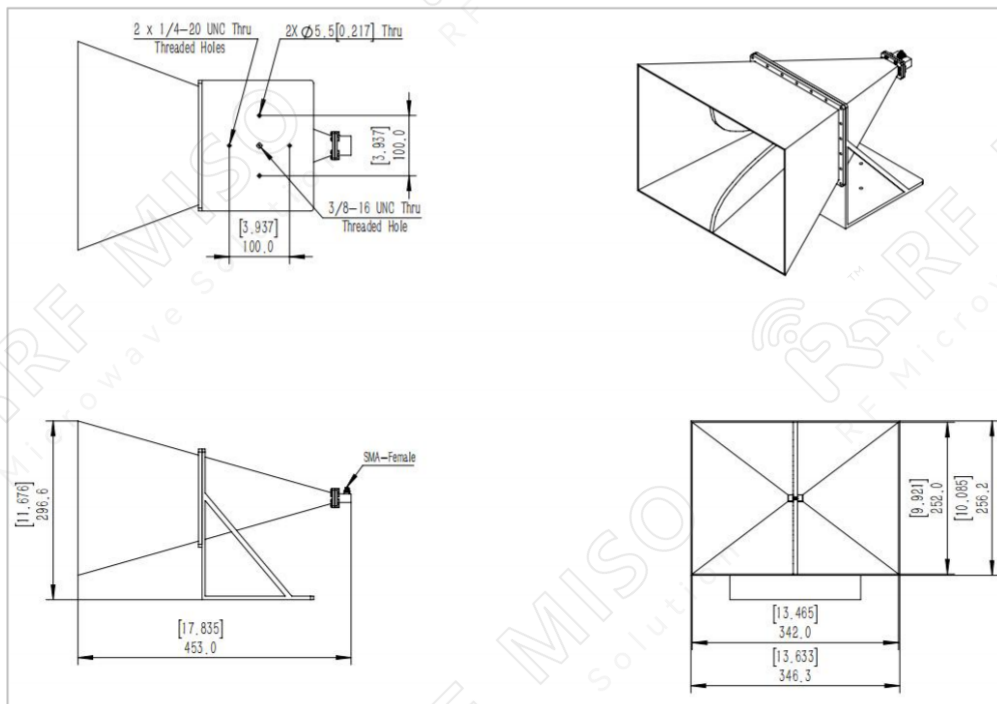
RM-BDHA618-18

Mechanical Drawing

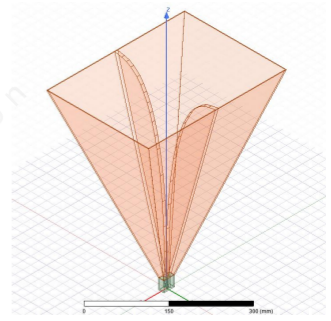
N-type connector is available, please contact RF Miso.



Mechanical Drawing with L-type Mounting Bracket (P/N: RM-BDHA618-18L)



Broadband Horn Antenna
18 dBi Typ. Gain, 6-18GHz Frequency Range

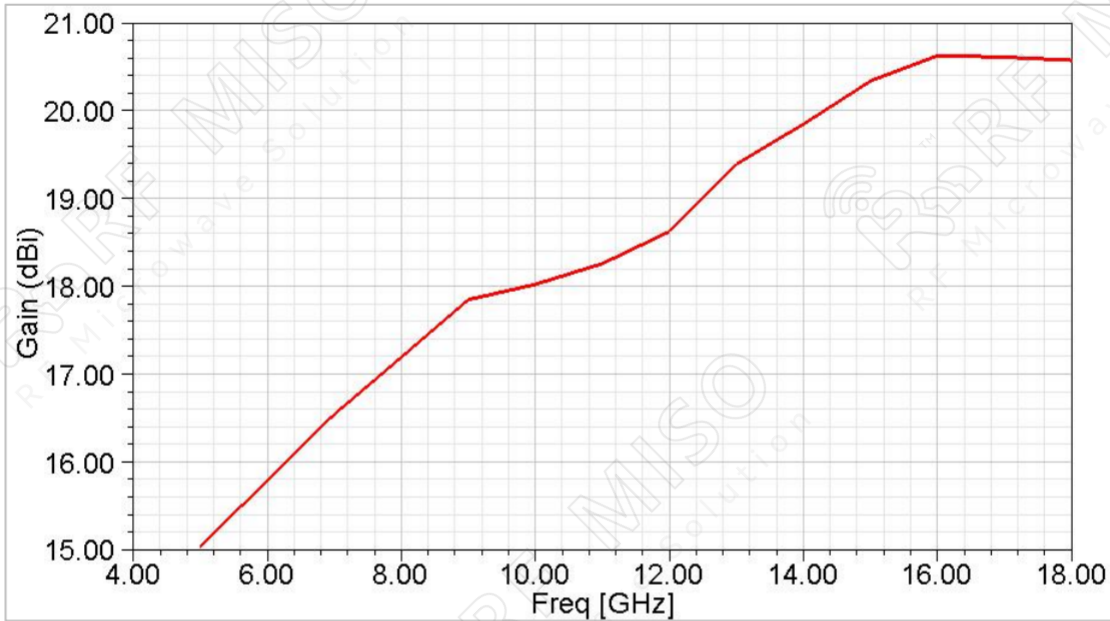


Broadband Horn Antenna Data Sheet

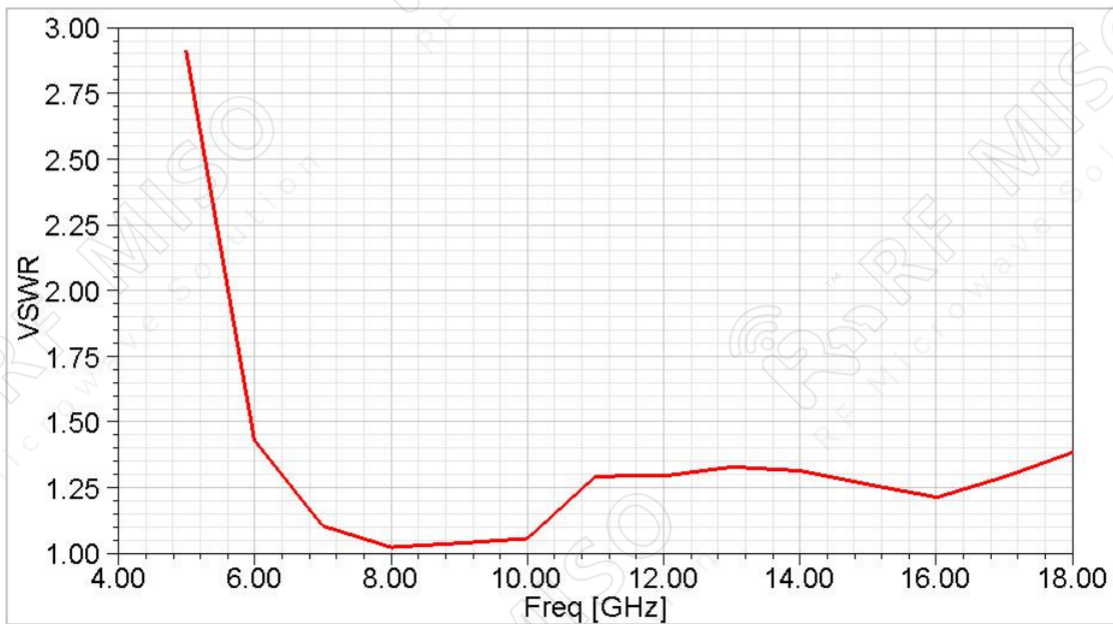
RM-BDHA618-18

Simulation Results

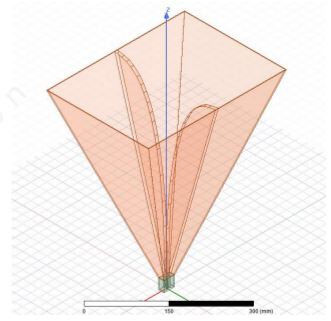
Gain



VSWR



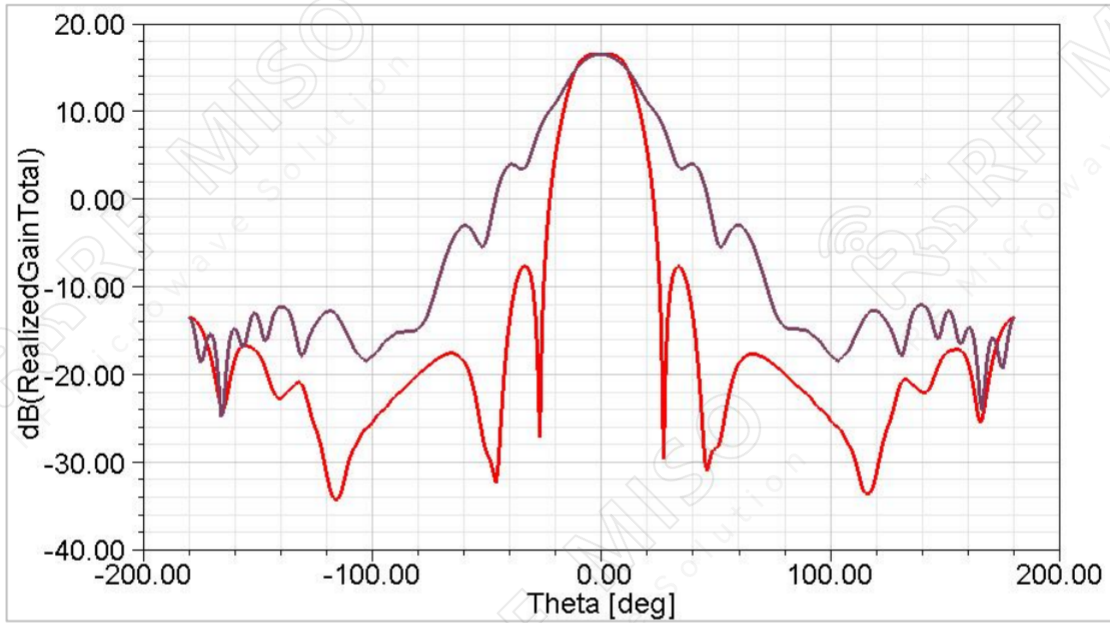
Broadband Horn Antenna
18 dBi Typ. Gain, 6-18GHz Frequency Range



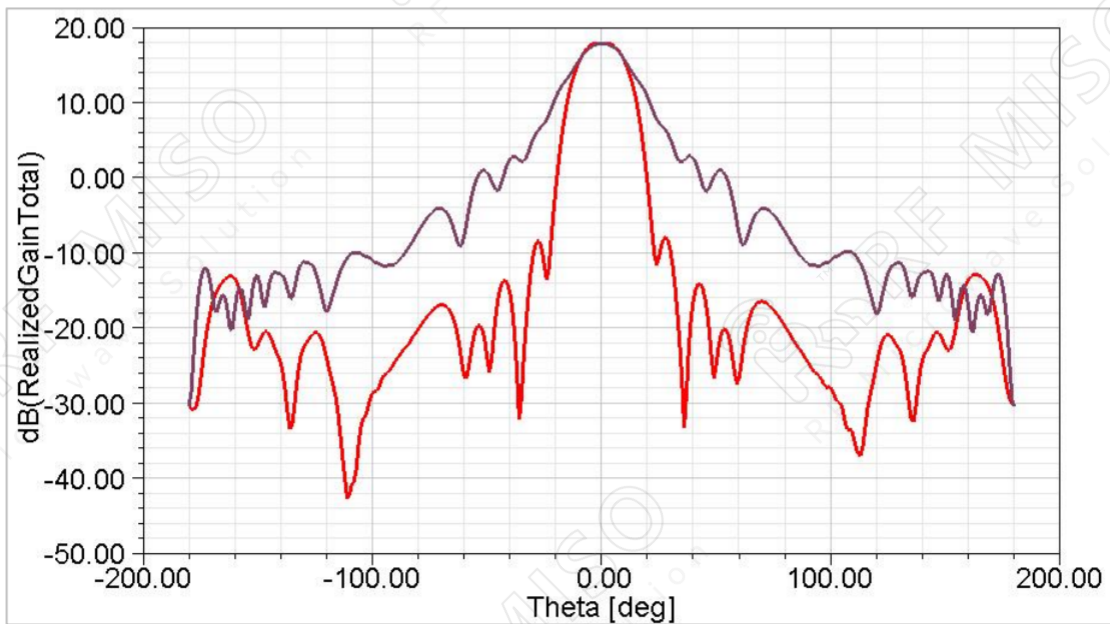
Broadband Horn Antenna Data Sheet

RM-BDHA618-18

Gain Pattern

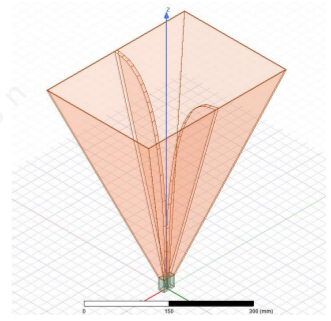


6 GHz



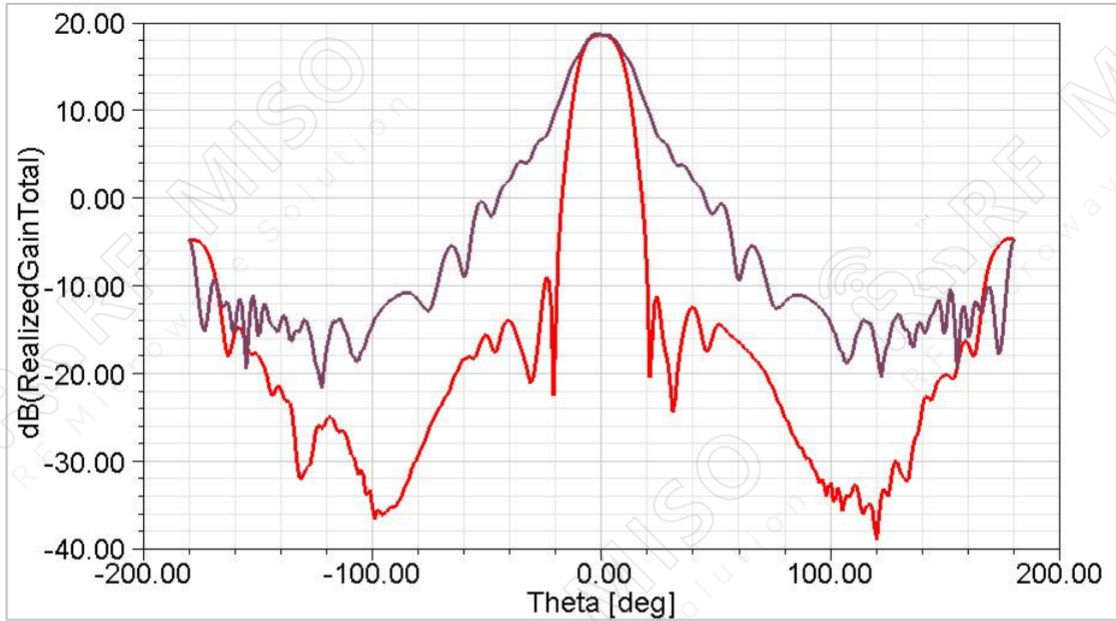
9 GHz

Broadband Horn Antenna
18 dBi Typ. Gain, 6-18GHz Frequency Range

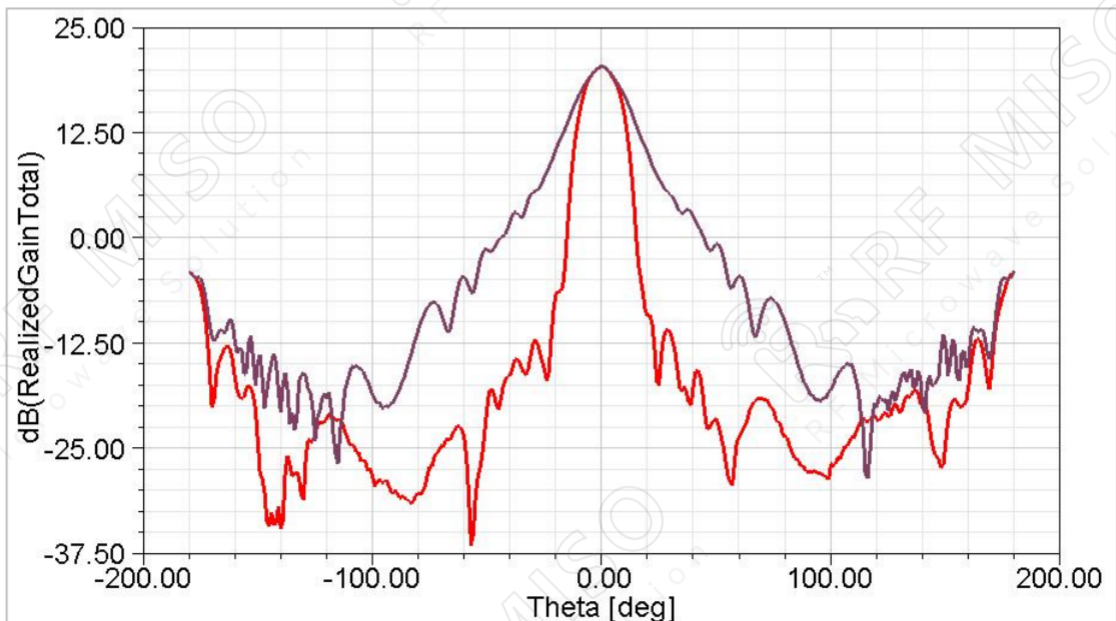


Broadband Horn Antenna Data Sheet

RM-BDHA618-18

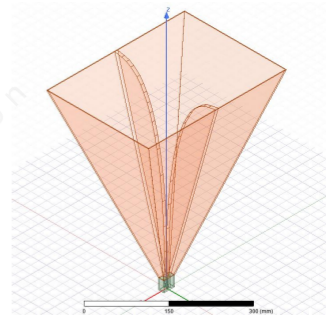


12 GHz



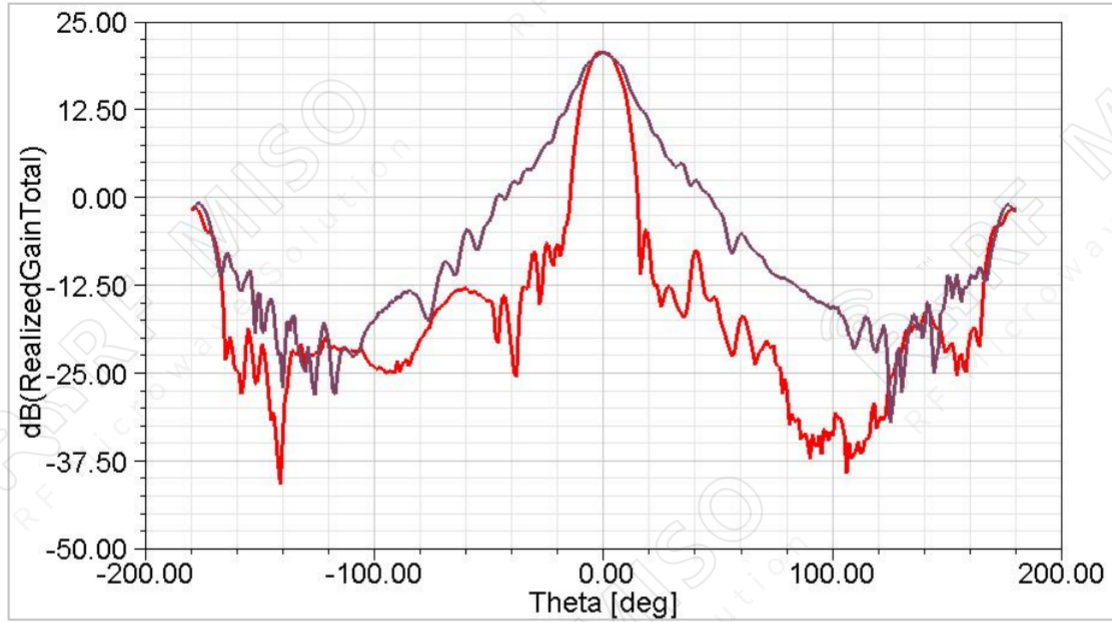
15 GHz

Broadband Horn Antenna
18 dBi Typ. Gain, 6-18GHz Frequency Range



Broadband Horn Antenna Data Sheet

RM-BDHA618-18



18 GHz