



Broadband Horn Antenna
10 dBi Typ. Gain, 8 GHz-18 GHz Frequency Range

Broadband Horn Antenna Data Sheet

RM-BDHA818-10

Features

- Double-Ridge Waveguide
- Linear Polarization
- N Female Connector
- Mounting Bracket Included

Description

The **RM-BDHA818-10** from RF MISO is a broadband gain horn antenna that operates from 8 to 18GHz. The antenna offers a typical gain of 10 dBi and VSWR1.5:1 with an SMA Female coaxial connector. Featuring high-power handling capability, low loss, high directivity and near constant electrical performance, the antenna is used in a variety of applications such as microwave testing, satellite antenna testing, direction finding, surveillance, plus EMC and antenna measurements.

Specifications

RM-BDHA667-13		
Item	Specification	Units
Frequency Range	8-18	GHz
Gain	10 Typ.	dBi
VSWR	1.5:1 Typ.	
Polarization	Linear	
Connector	SMA-F	
Material	Al	
Surface Treatment	Paint	
Size	50.55*43.09*99	mm

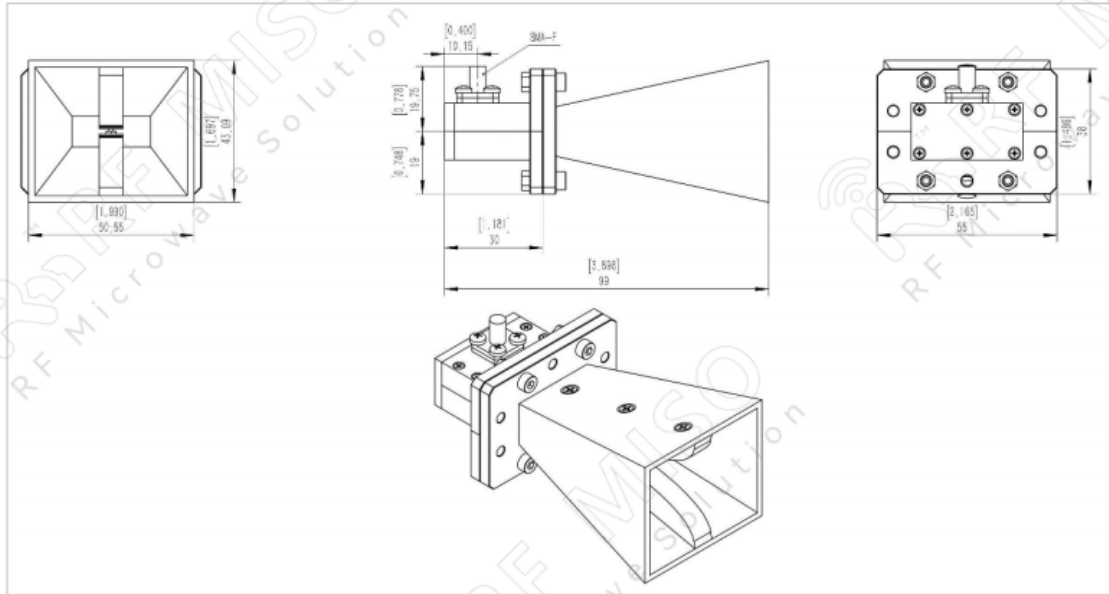


Broadband Horn Antenna
10 dBi Typ. Gain, 8 GHz-18 GHz Frequency Range

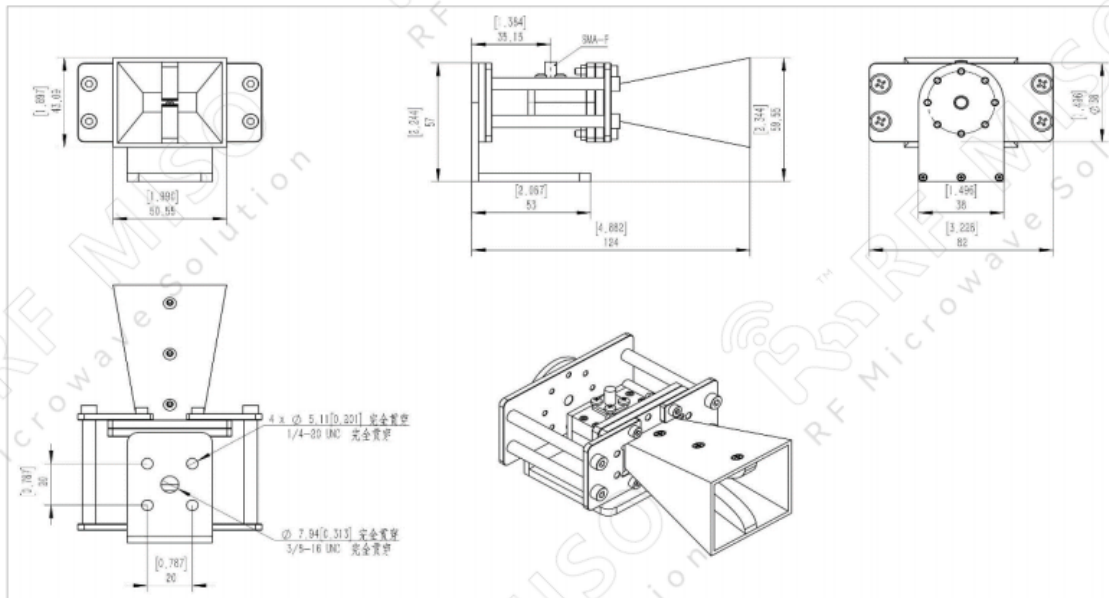
Broadband Horn Antenna Data Sheet

RM-BDHA818-10

Outline Drawing (Size: mm)



Outline Drawing with Mounting Bracket:



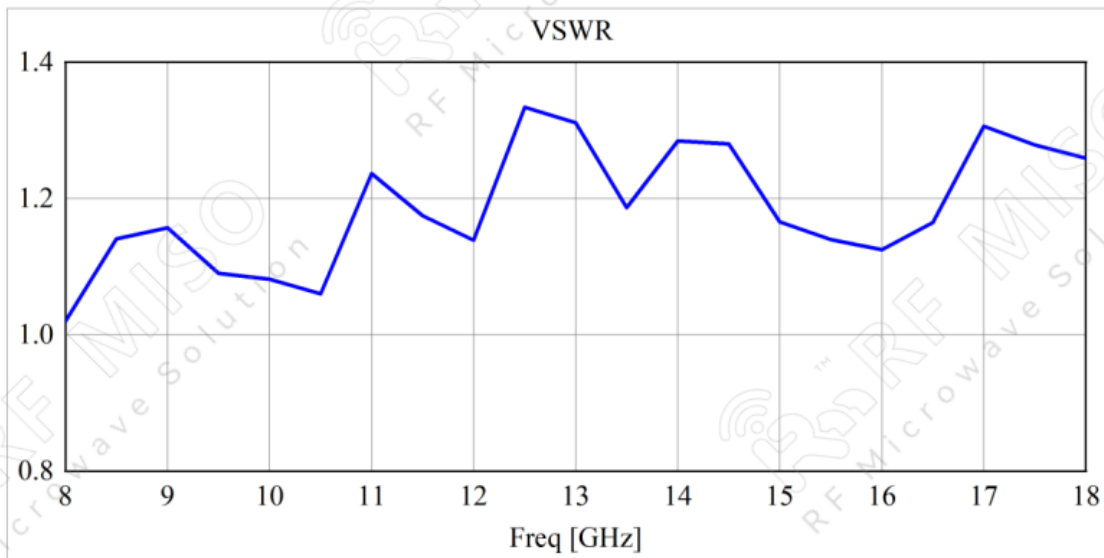
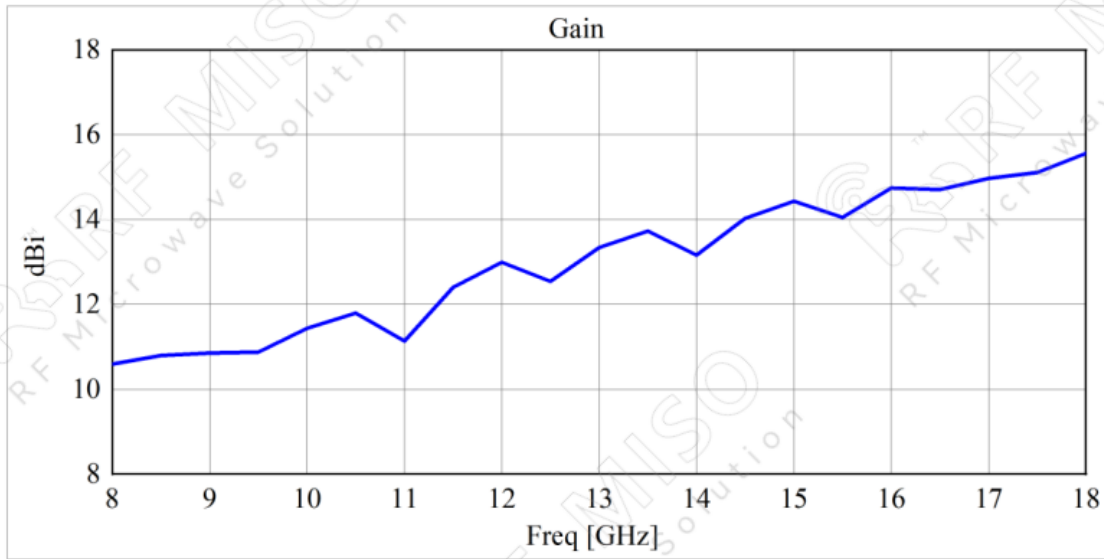


Broadband Horn Antenna
10 dBi Typ. Gain, 8 GHz-18 GHz Frequency Range

Broadband Horn Antenna Data Sheet

RM-BDHA818-10

Simulated Data

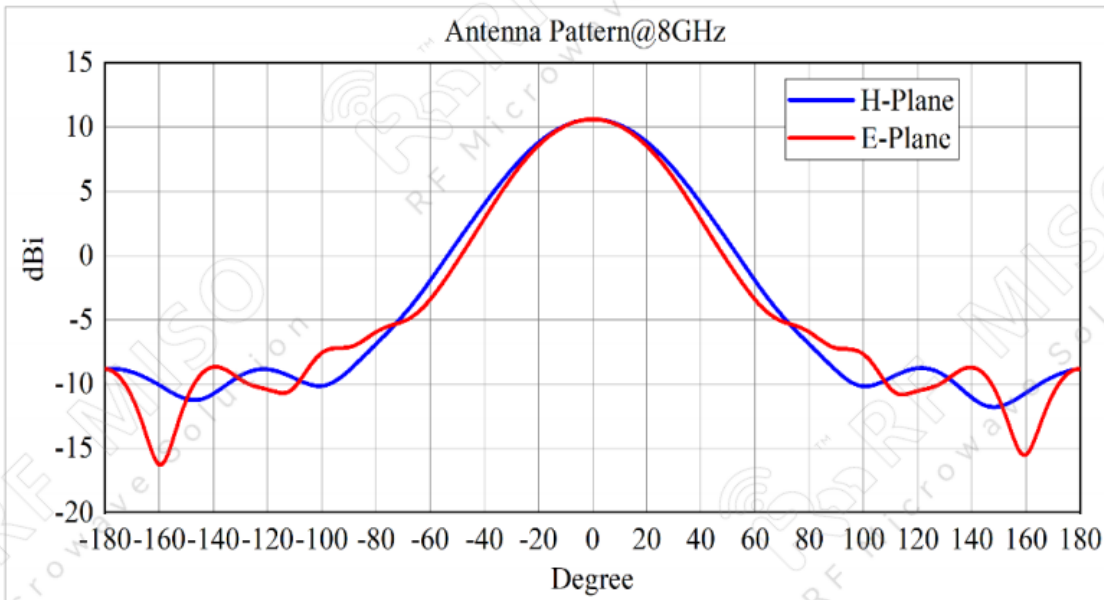
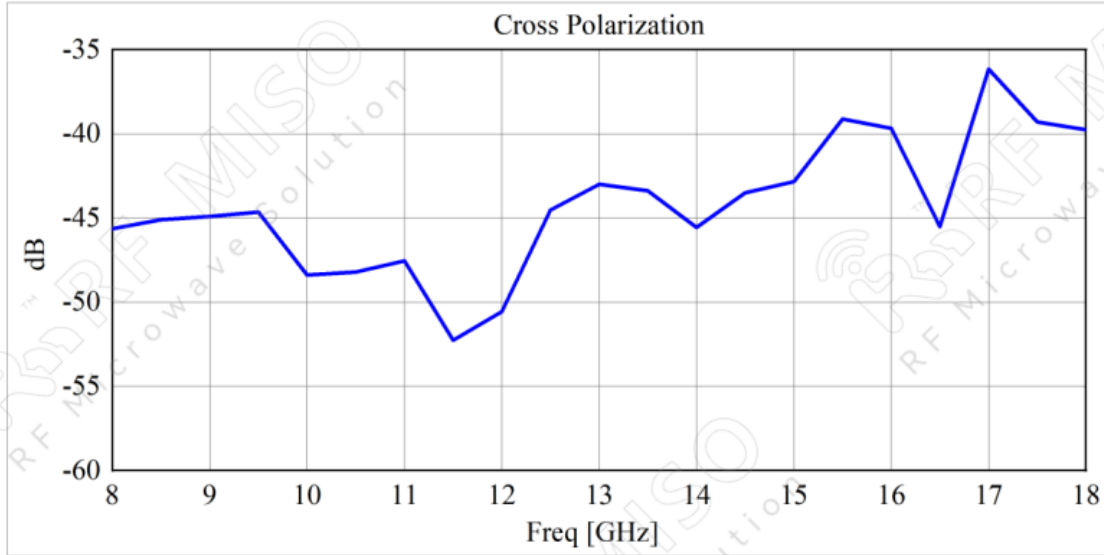




Broadband Horn Antenna
10 dBi Typ. Gain, 8 GHz-18 GHz Frequency Range

Broadband Horn Antenna Data Sheet

RM-BDHA818-10

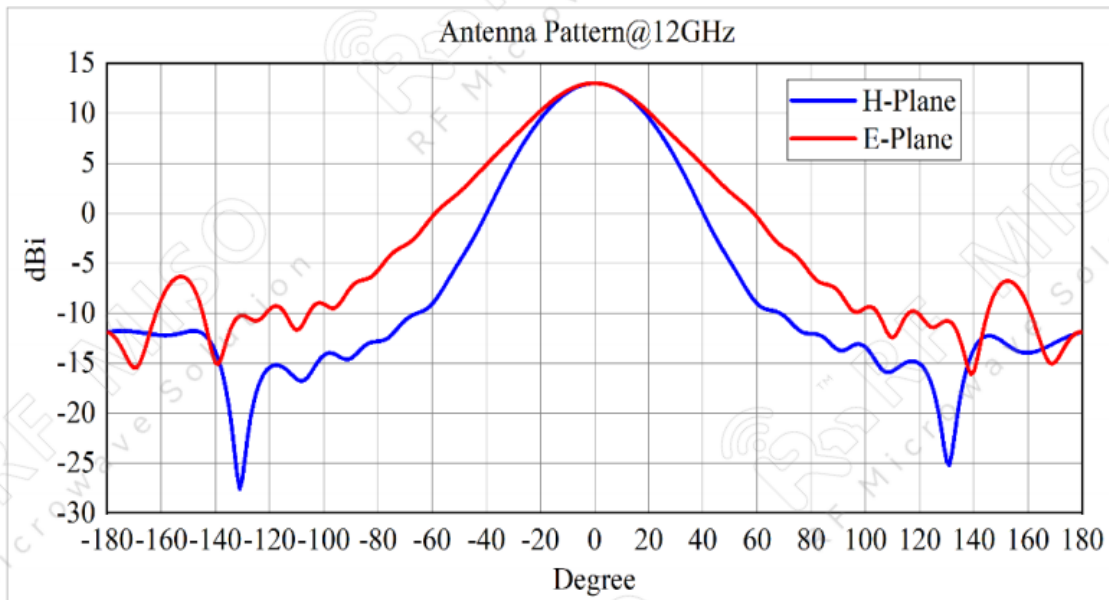
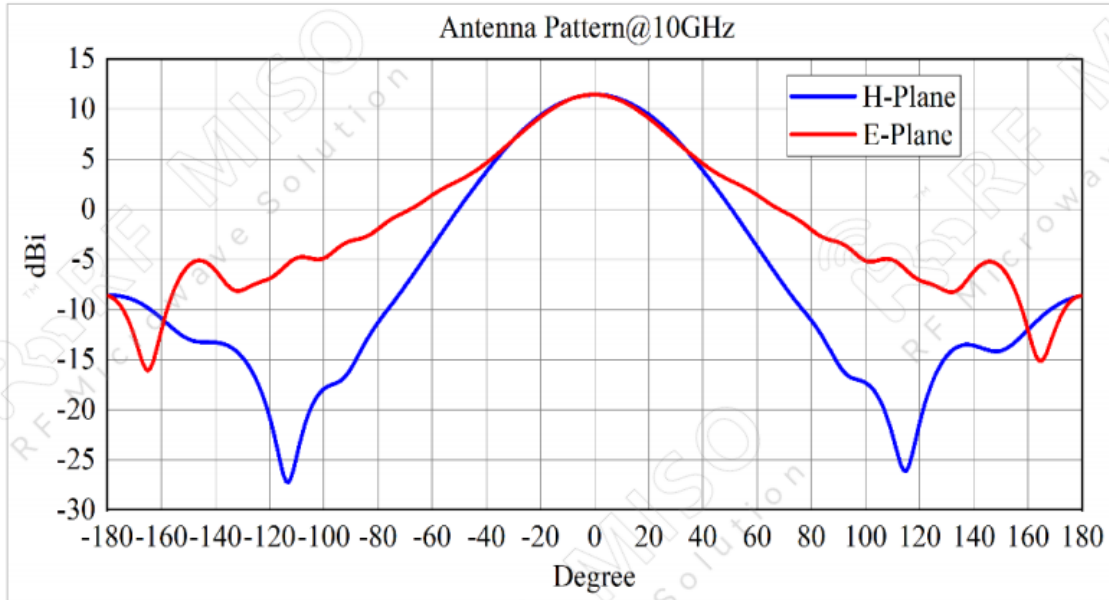




Broadband Horn Antenna
10 dBi Typ. Gain, 8 GHz-18 GHz Frequency Range

Broadband Horn Antenna Data Sheet

RM-BDHA818-10





Broadband Horn Antenna
10 dBi Typ. Gain, 8 GHz-18 GHz Frequency Range

Broadband Horn Antenna Data Sheet

RM-BDHA818-10

