

*Broadband Dual Polarized Horn Antenna
12 dBi Typ. Gain, 0.8-18 GHz Frequency Range*



Broadband Dual Polarized Horn Antenna Data Sheet

RM-BDPHA0818-12

Features

- Coaxial Adapter for RF Inputs
- Low VSWR
- Lens Antennas
- Broadband Operation
- Dual Linear Polarized

Descriptions

RF MISO's **Model RM-BDPHA0818-12** is a dual polarized lens horn antenna that operates from 0.8 to 18 GHz, The antenna offers 12 dBi typical gain. The antenna VSWR is typical 1.5:1. The antenna RF ports are SMA-F connector. The antenna can be widely used in EMI detection, orientation, reconnaissance, antenna gain and pattern measurement and other application fields.

Specificaions

RM-BDPHA0818-12		
Parameters	Typical	Units
Frequency Range	0.8-18	GHz
Gain	12 Typ.	dBi
VSWR	1.5 Typ.	
Polarization	Dual Linear	
Cross Pol. Isolation	40 Typ.	dB
Port Isolation	40 Typ.	dB
Connector	SMA-F	
Material	Al	
Finishing	Paint	
Size ((L*W*H))	202*202*216 (±5)	mm
Weight	1.896	kg
Power Handling, CW	50	W
Power Handling, Peak	100	W

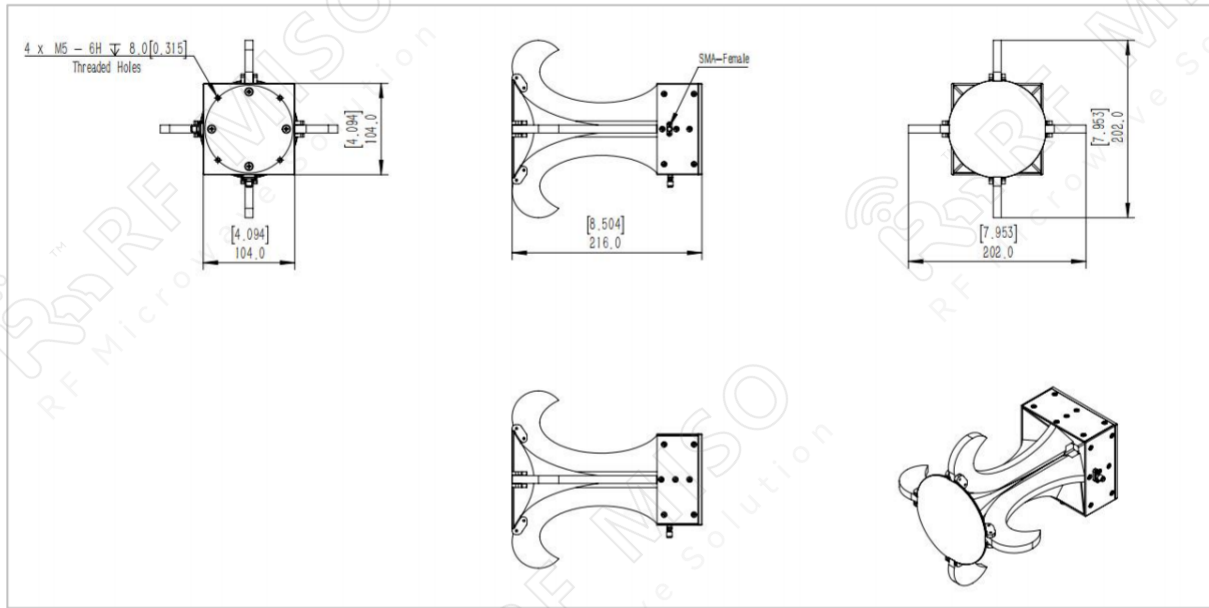
Broadband Dual Polarized Horn Antenna
12 dBi Typ. Gain, 0.8-18 GHz Frequency Range



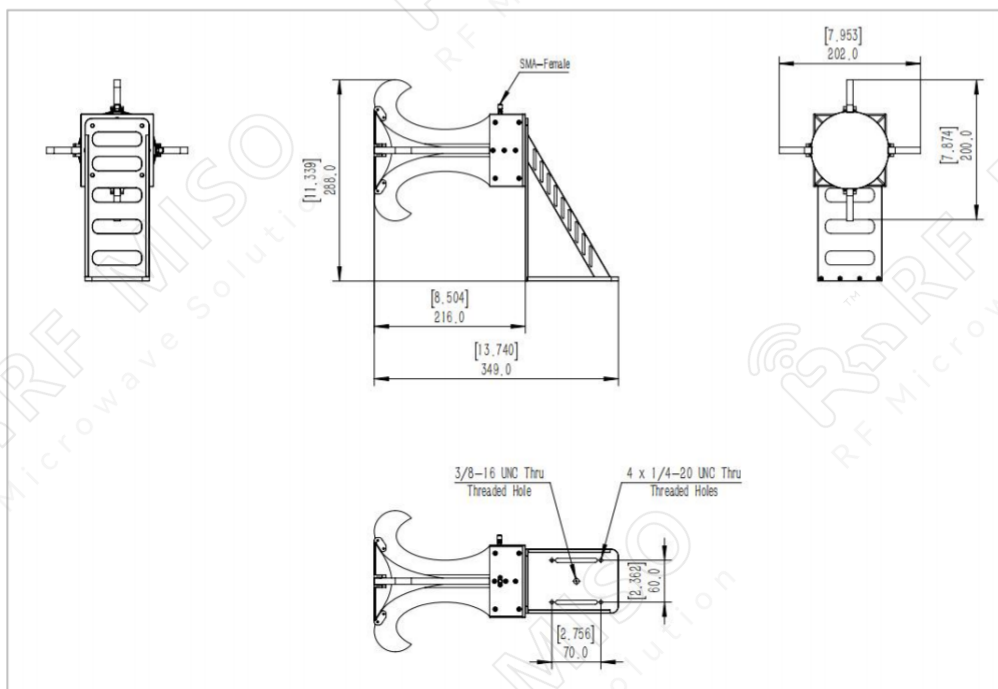
Broadband Dual Polarized Horn Antenna Data Sheet

RM-BDPHA0818-12

Outline Drawing



Outline Drawing with Mounting Bracket



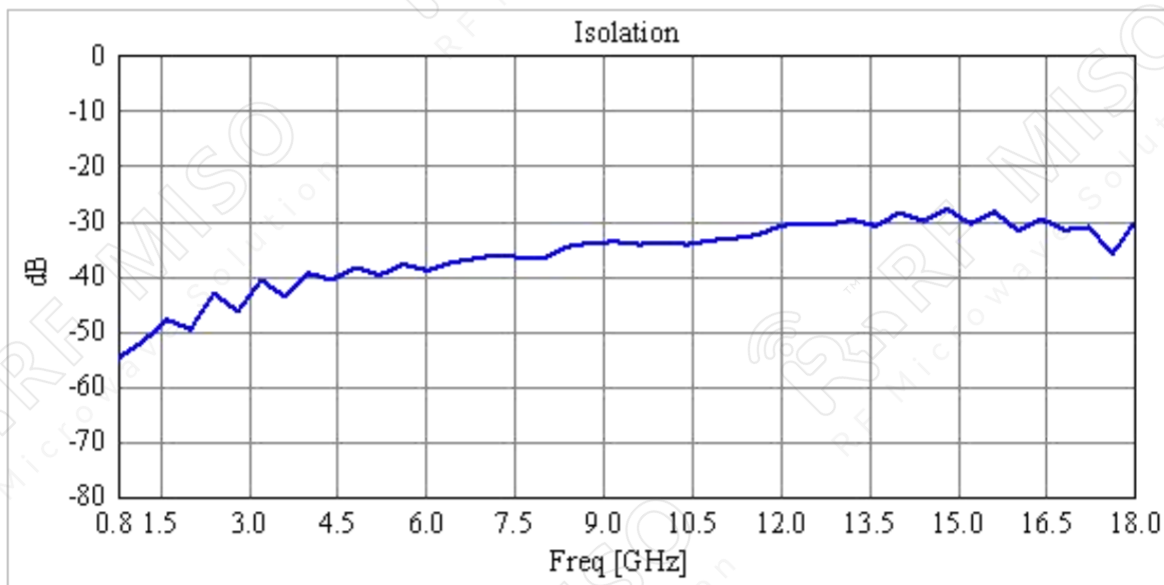
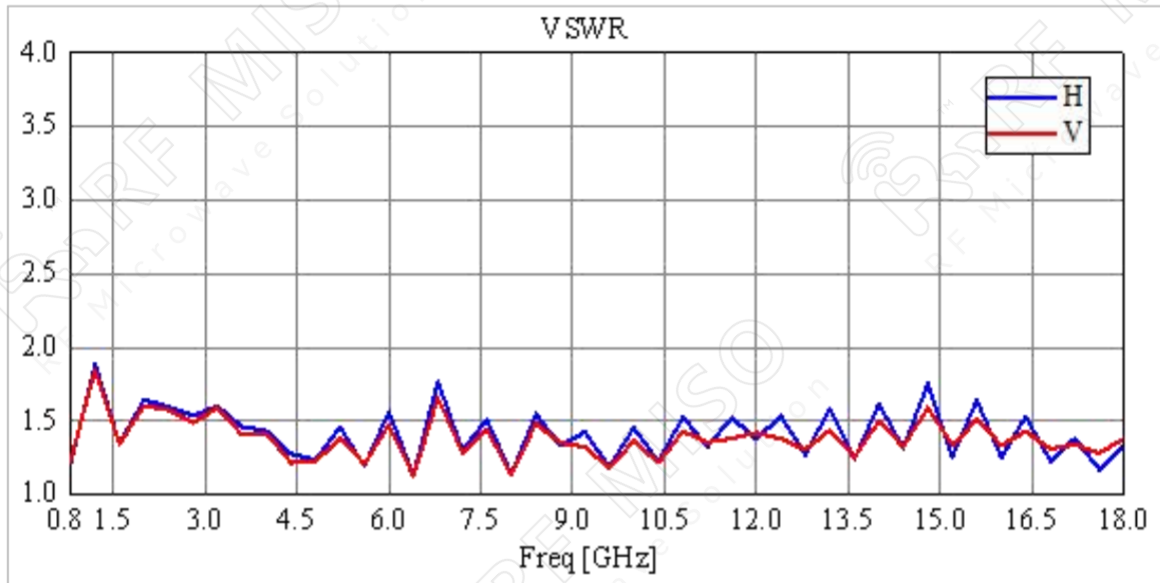
Broadband Dual Polarized Horn Antenna
12 dBi Typ. Gain, 0.8-18 GHz Frequency Range



Broadband Dual Polarized Horn Antenna Data Sheet

RM-BDPHA0818-12

Simulation Data

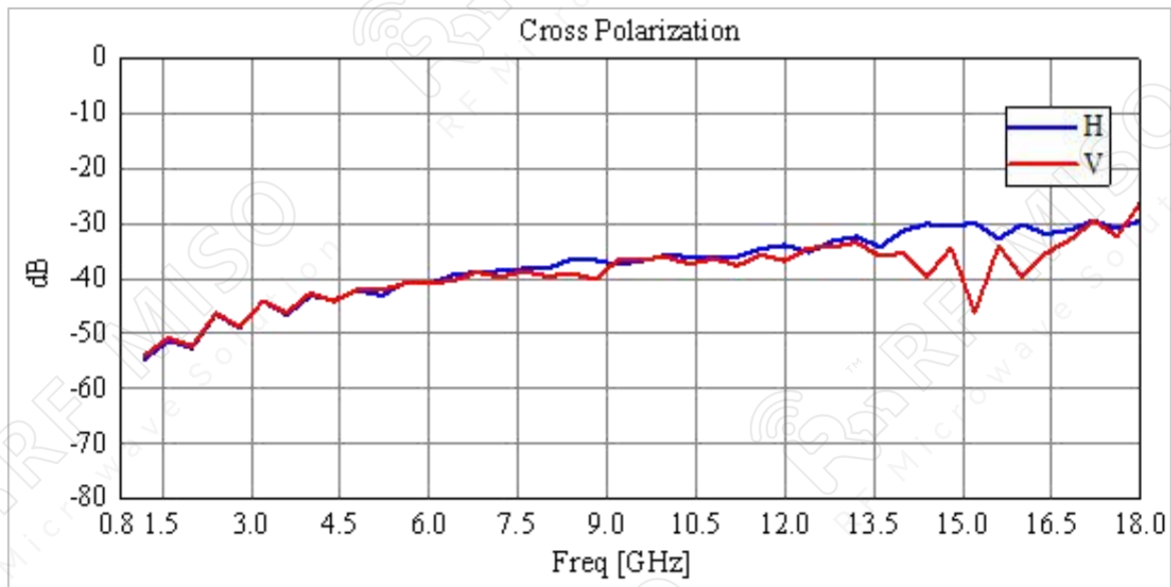
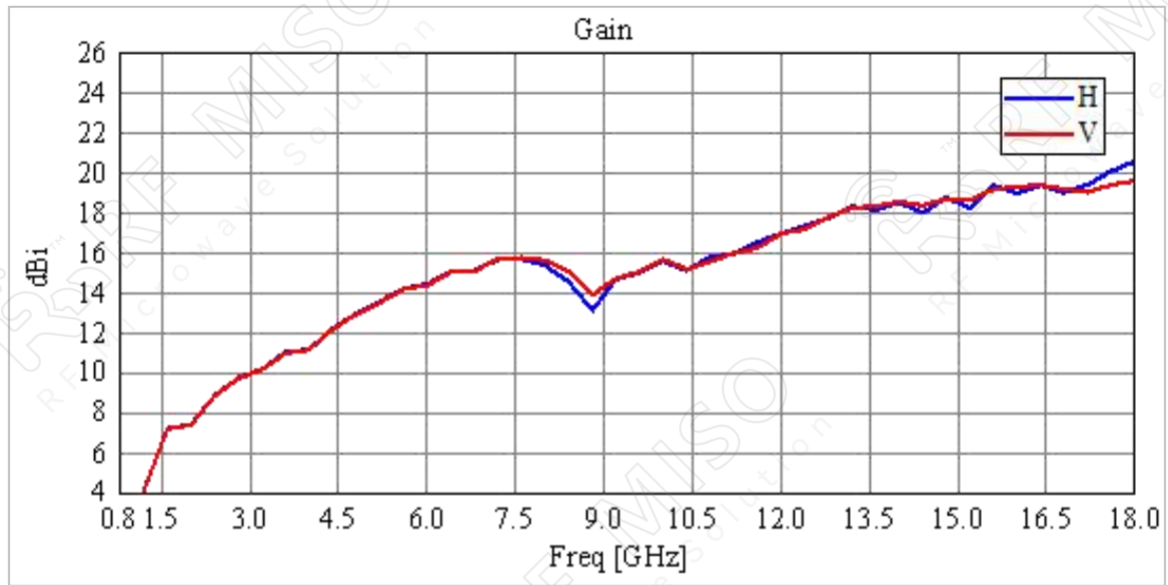


Broadband Dual Polarized Horn Antenna
12 dBi Typ. Gain, 0.8-18 GHz Frequency Range



Broadband Dual Polarized Horn Antenna Data Sheet

RM-BDPHA0818-12





*Broadband Dual Polarized Horn Antenna
12 dBi Typ. Gain, 0.8-18 GHz Frequency Range*

Broadband Dual Polarized Horn Antenna Data Sheet

RM-BDPHA0818-12

Gain Patterns

