

*Broadband Dual Polarized Horn Antenna
6 dBi Typ. Gain, 0.8-2 GHz Frequency Range*



Broadband Dual Polarized Horn Antenna Data Sheet

RM-BDPHA082-6

Features

- Coaxial Adapter for RF Inputs
- Low VSWR
- Good Orientation
- High Isolation
- Dual Linear Polarized

Descriptions

RF MISO's **Model RM-BDPHA082-6** is a dual polarized horn antenna that operates from 0.8 to 2 GHz, The antenna offers 6dBi typical gain. The antenna VSWR is typical 1.5:1. The antenna RF ports are SMA-F connector. The antenna can be widely used in EMI detection, orientation, reconnaissance, antenna gain and pattern measurement and other application fields.

Specifications

RM-BDPHA082-6		
Parameters	Typical	Units
Frequency Range	0.8-2	GHz
Gain	6 Typ.	dBi
VSWR	1.5 Typ.	
Polarization	Dual Linear	
Cross Pol. Isolation	53 Typ.	dB
Port Isolation	53 Typ.	dB
Connector	SMA-F	
Material	Al	
Finishing	Paint	
Size	214.4*193.8*194.2(L*W*H)	mm
Weight	1.857	kg

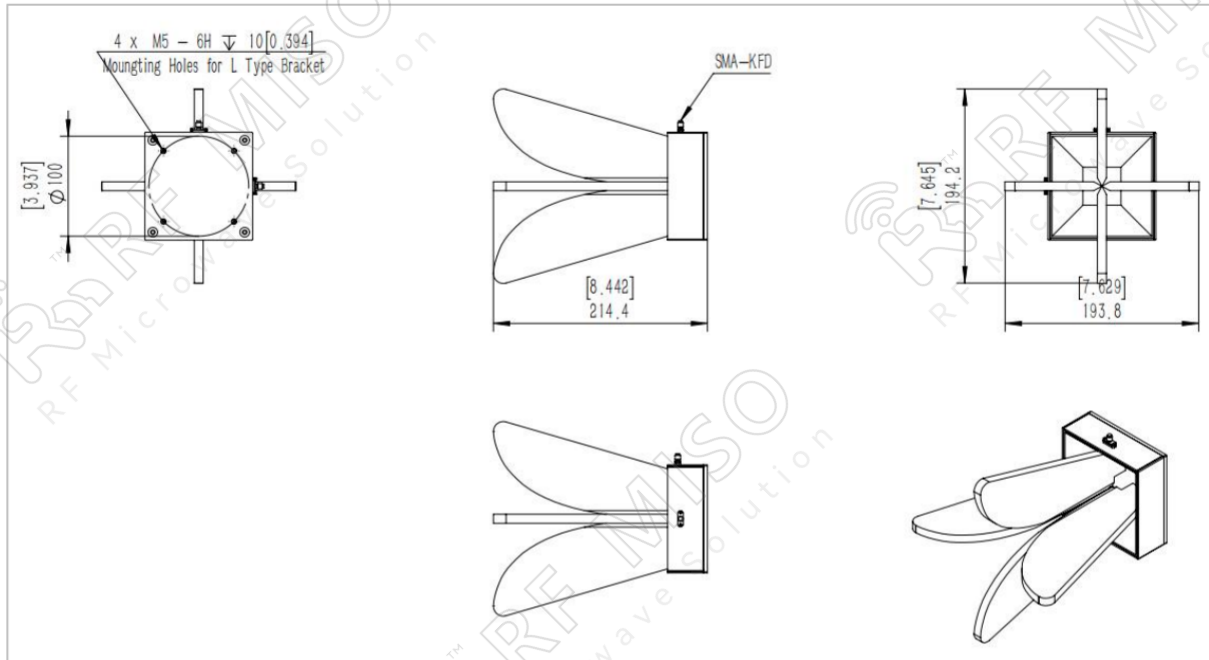
Broadband Dual Polarized Horn Antenna
6 dBi Typ. Gain, 0.8-2 GHz Frequency Range



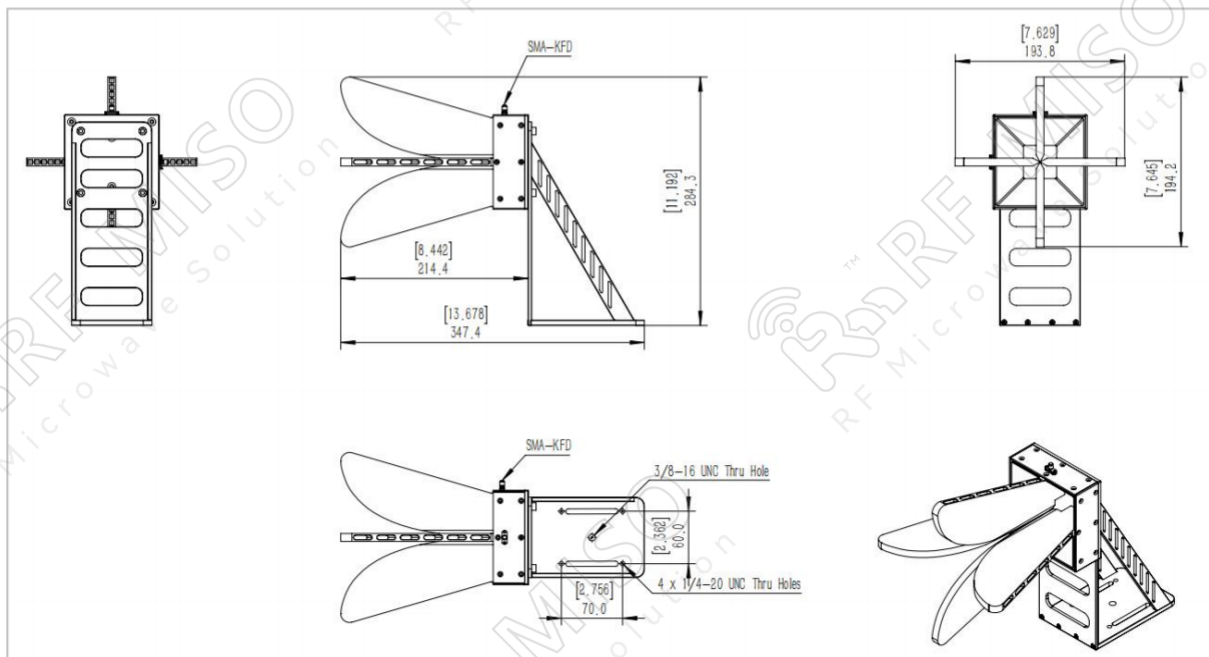
Broadband Dual Polarized Horn Antenna Data Sheet

RM-BDPHA082-6

Outline Drawing



Outline Drawing with Mounting Bracket



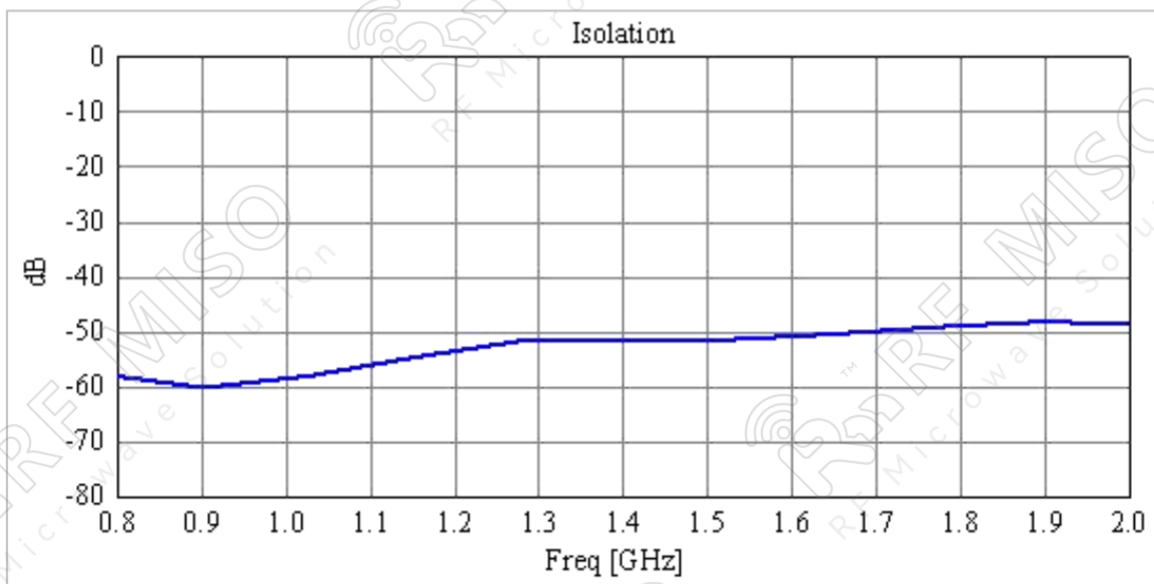
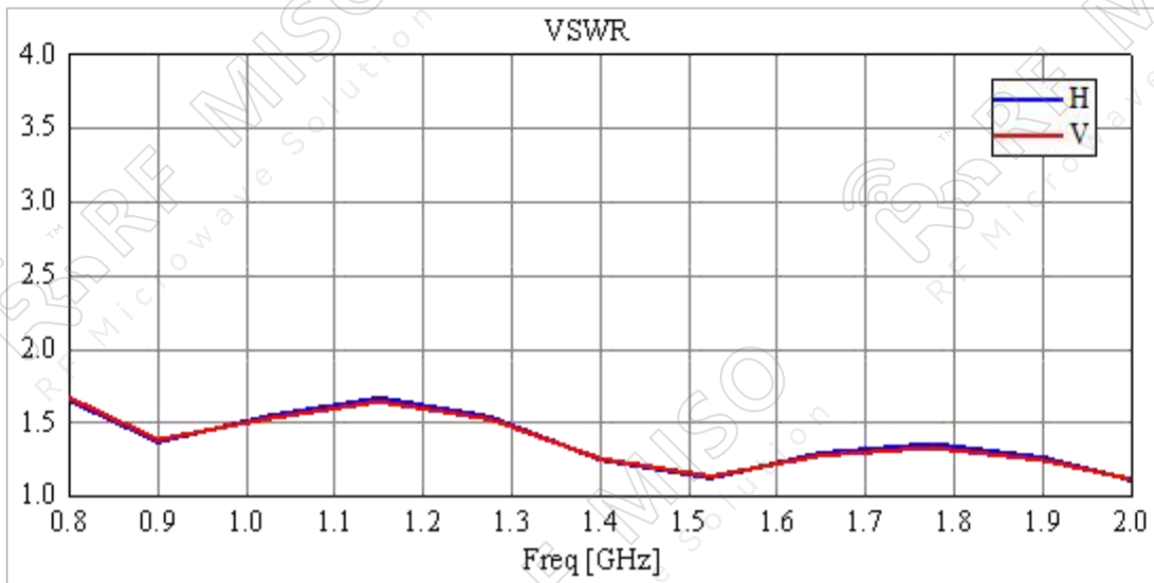


Broadband Dual Polarized Horn Antenna
6 dBi Typ. Gain, 0.8-2 GHz Frequency Range

Broadband Dual Polarized Horn Antenna Data Sheet

RM-BDPHA082-6

Testing Data

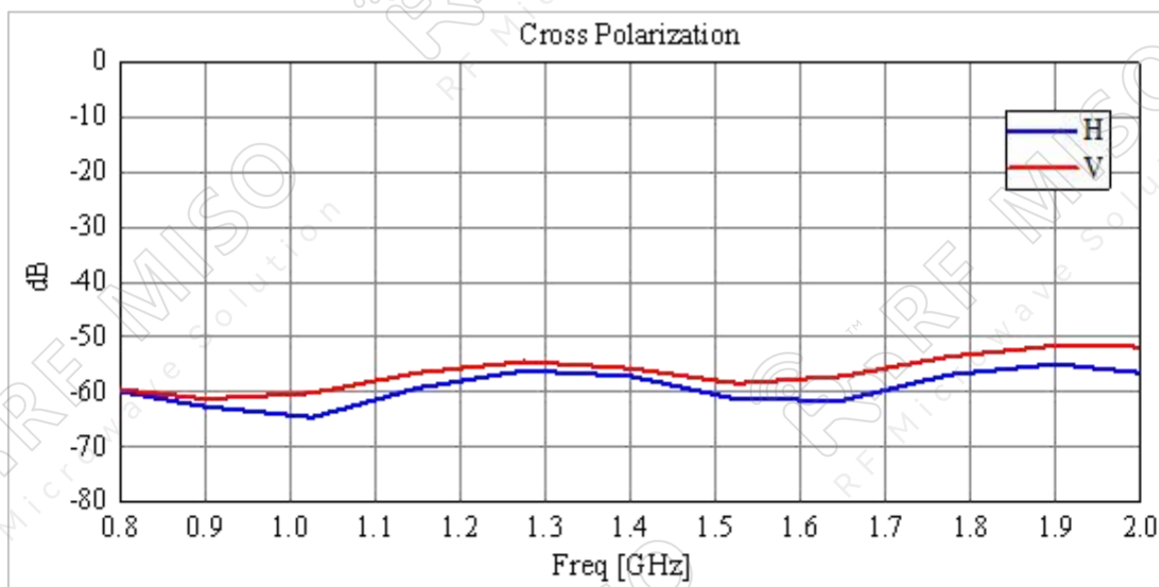
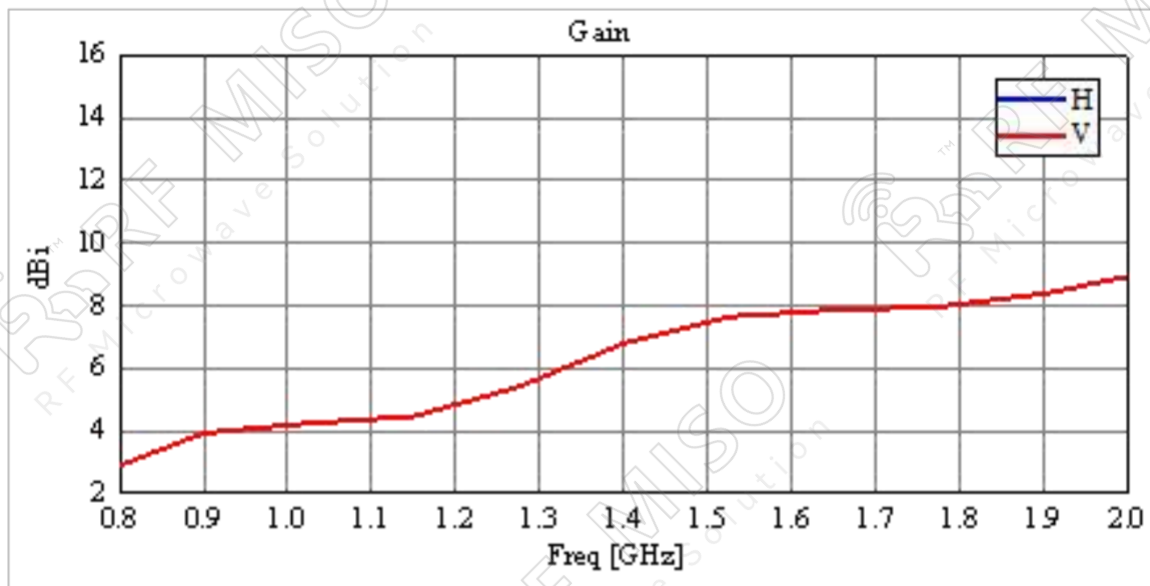


Broadband Dual Polarized Horn Antenna
6 dBi Typ. Gain, 0.8-2 GHz Frequency Range



Broadband Dual Polarized Horn Antenna Data Sheet

RM-BDPHA082-6



Broadband Dual Polarized Horn Antenna
6 dBi Typ. Gain, 0.8-2 GHz Frequency Range



Broadband Dual Polarized Horn Antenna Data Sheet

RM-BDPHA082-6

Gain Patterns

