



*Broadband Dual Polarized Horn Antenna  
7 dBi Typ. Gain, 0.8-3 GHz Frequency Range*

## Broadband Dual Polarized Horn Antenna Data Sheet

**RM-BDPHA083-7**

### Features

- Coaxial Adapter for RF Inputs
- Low VSWR
- Good Orientation
- High Isolation
- Dual Linear Polarized

### Descriptions

RF MISO's **Model RM-BDPHA083-7** is a dual polarized horn antenna that operates from 0.8 to 3 GHz, The antenna offers 7dBi typical gain. The antenna VSWR is typical 1.5:1. The antenna RF ports are SMA-F connector. The antenna can be widely used in EMI detection, orientation, reconnaissance, antenna gain and pattern measurement and other application fields.

### Specifications

RM-BDPHA083-7		
Parameters	Typical	Units
Frequency Range	0.8-3	GHz
Gain	7 Typ.	dBi
VSWR	1.5 Typ.	
Polarization	Dual Linear	
Cross Pol. Isolation	52 Typ.	dB
Port Isolation	52 Typ.	dB
Connector	SMA-F	
Material	Al	
Finishing	Paint	
Size	272.1*210*210(L*W*H)	mm
Weight	2.572	kg

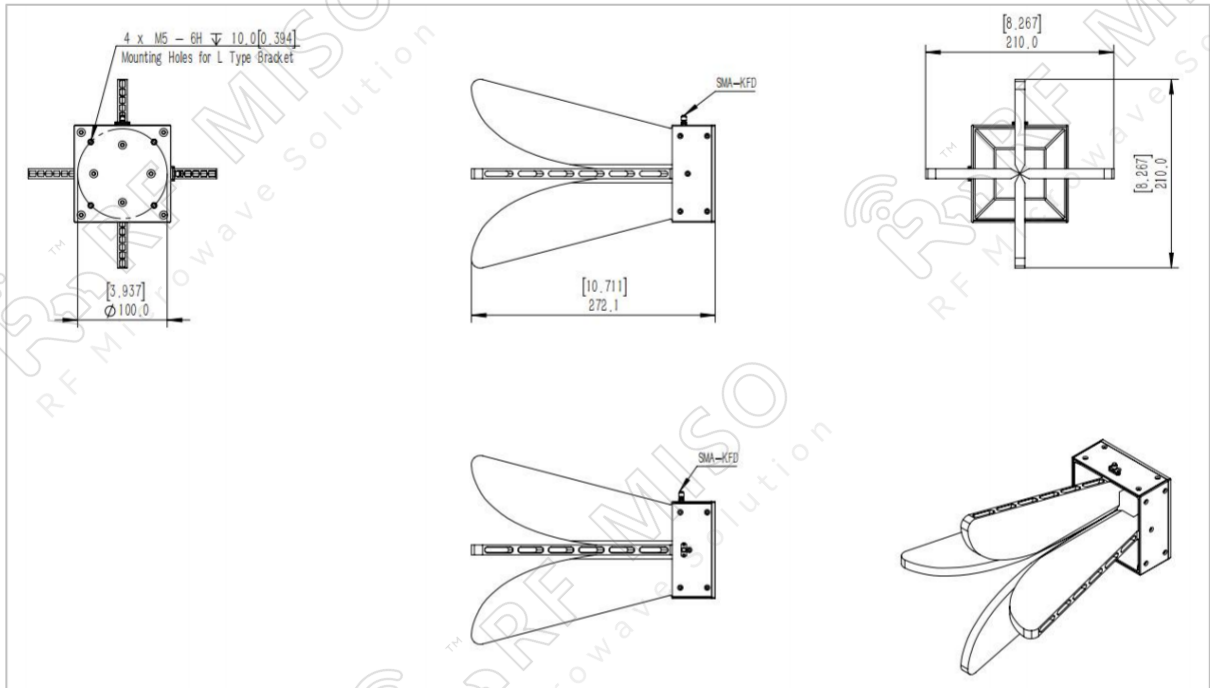
Broadband Dual Polarized Horn Antenna  
7 dBi Typ. Gain, 0.8-3 GHz Frequency Range



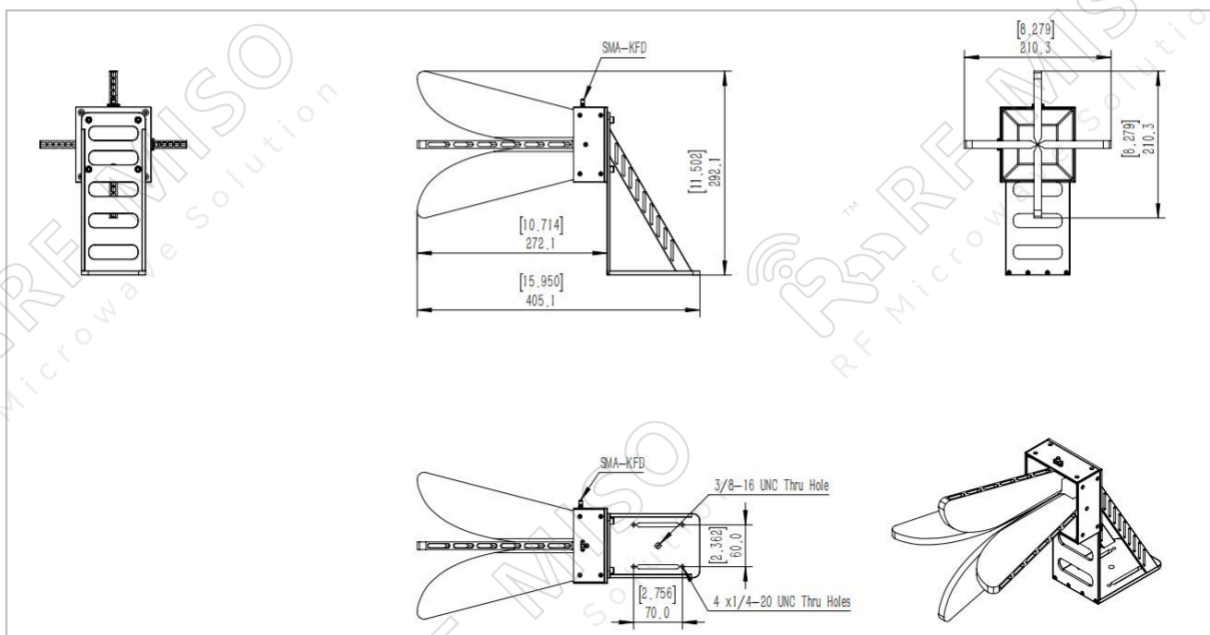
**Broadband Dual Polarized Horn Antenna Data Sheet**

**RM-BDPHA083-7**

**Outline Drawing**



**Outline Drawing with Mounting Bracket**



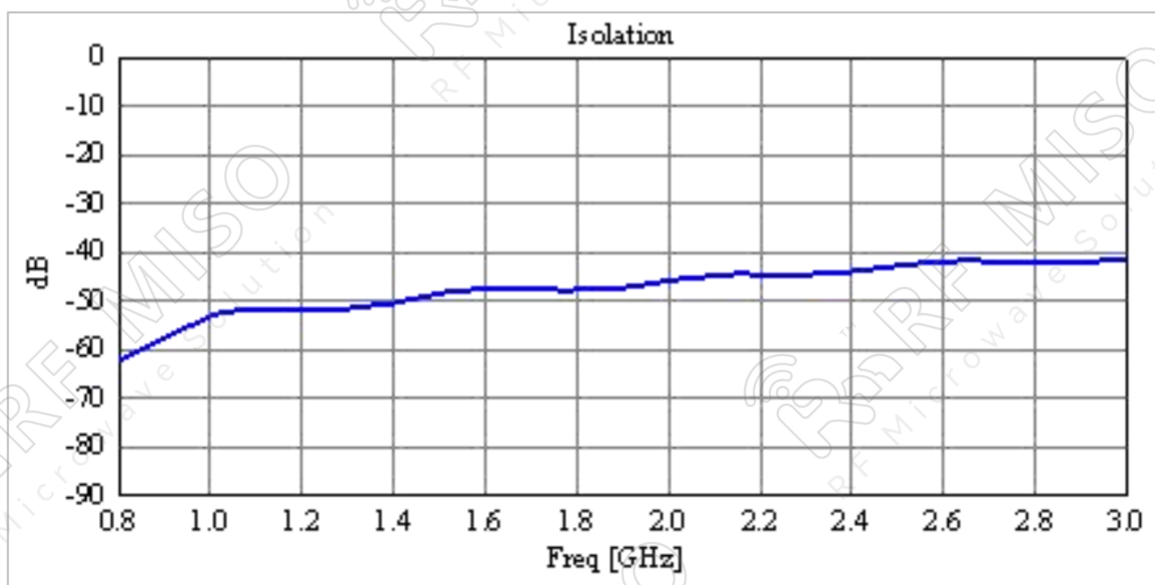
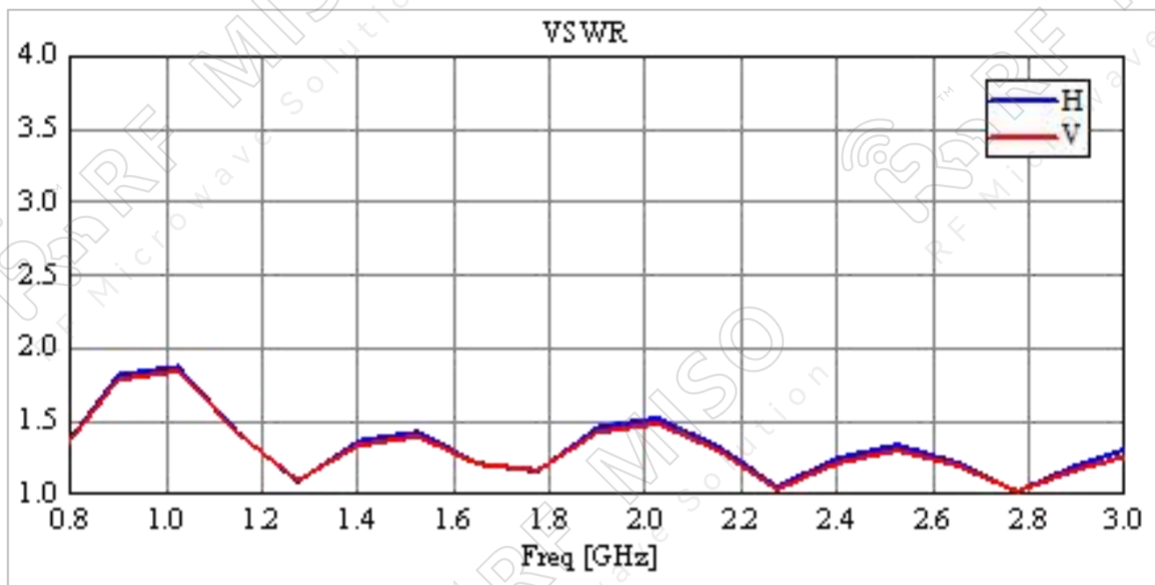


Broadband Dual Polarized Horn Antenna  
7 dBi Typ. Gain, 0.8-3 GHz Frequency Range

**Broadband Dual Polarized Horn Antenna Data Sheet**

**RM-BDPHA083-7**

**Testing Data**

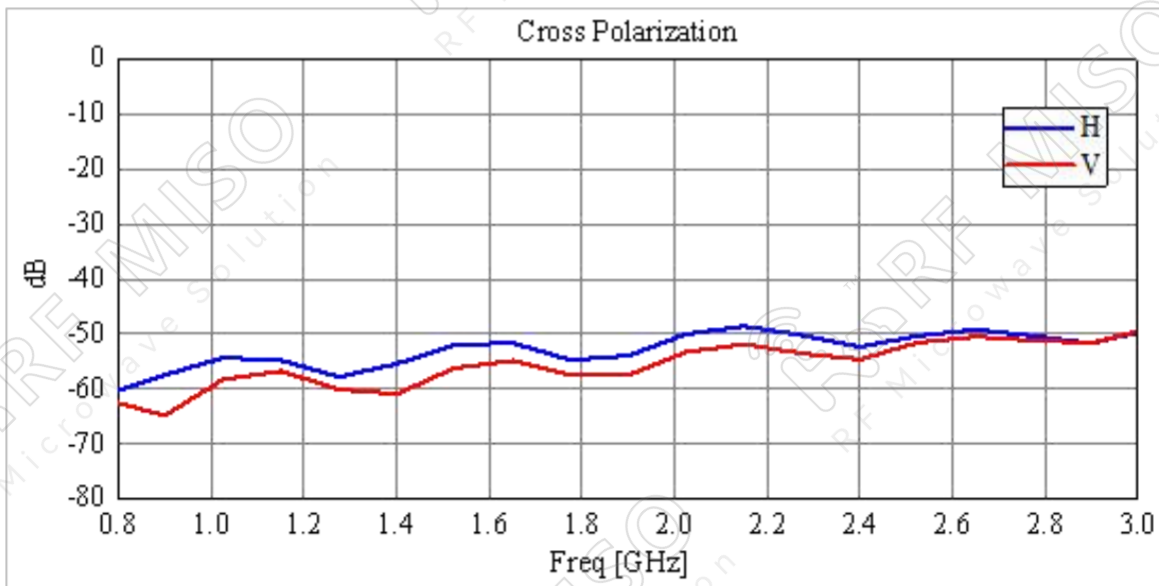
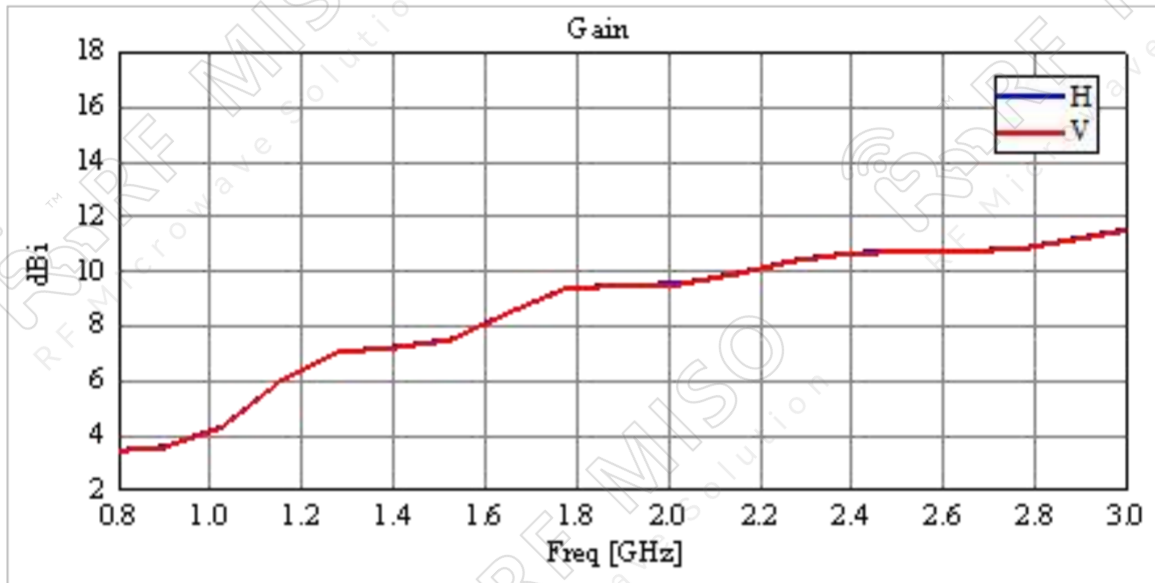




*Broadband Dual Polarized Horn Antenna*  
7 dBi Typ. Gain, 0.8-3 GHz Frequency Range

**Broadband Dual Polarized Horn Antenna Data Sheet**

**RM-BDPHA083-7**





*Broadband Dual Polarized Horn Antenna*  
7 dBi Typ. Gain, 0.8-3 GHz Frequency Range

**Broadband Dual Polarized Horn Antenna Data Sheet**

**RM-BDPHA083-7**

**Gain Patterns**

