



Broadband Dual Polarized Horn Antenna  
20dBi Typ. Gain, 10-15GHz Frequency Range

## Dual Linear Polarized Horn Antenna Data Sheet

**RM-BDPHA1015-20**

### Features

- Coaxial Adapter for RF Inputs
- High Gain
- Strong Anti-interference
- Improve Signal Quality
- Dual Linear Polarized
- Small Size

### Specifications

RF MISO's **Model RM-BDPHA1015-20** is a dual polarized horn antenna that operates from 10 to 15GHz, The antenna offers 20 dBi typical gain. The antenna VSWR below 1.5. The antenna RF ports are 2.92-female coaxial connector. The antenna can be widely used in EMI detection, orientation, reconnaissance, antenna gain and pattern measurement and other application fields.

### Specifications

RM-BDPHA1015-20		
Parameters	Specifications	Units
Frequency Range	10-15	GHz
Gain	20 Typ.	dBi
VSWR	<1.5 Typ.	
Polarization	Dual-Linear-polarized	
Cross polarization	>50	dB
Port Isolation	60	dB
Size	198.3*118*121.3	mm
Weight	1.016	kg

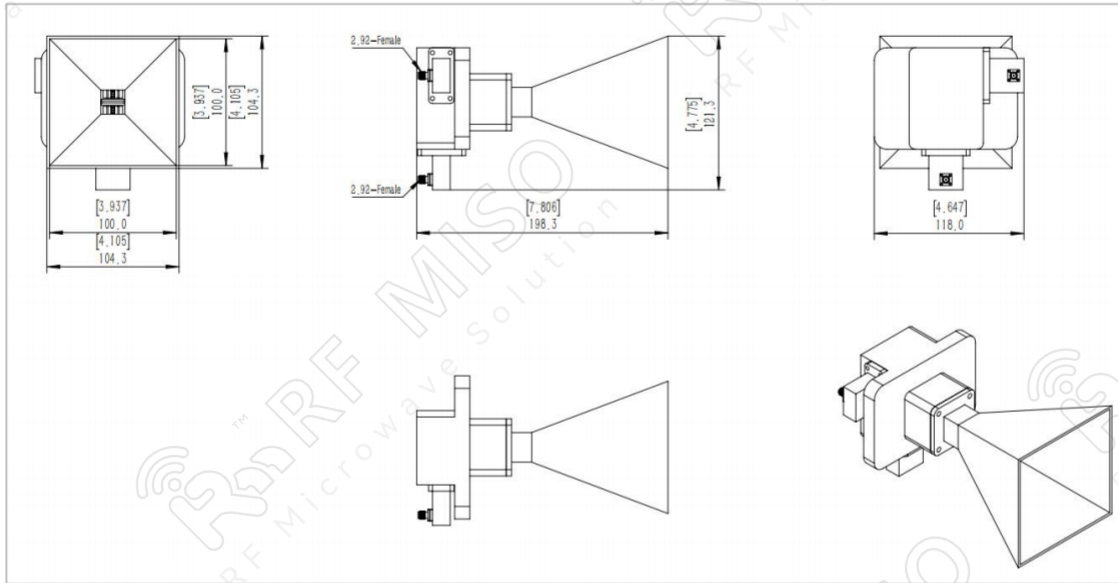
Broadband Dual Polarized Horn Antenna  
20dBi Typ. Gain, 10-15GHz Frequency Range



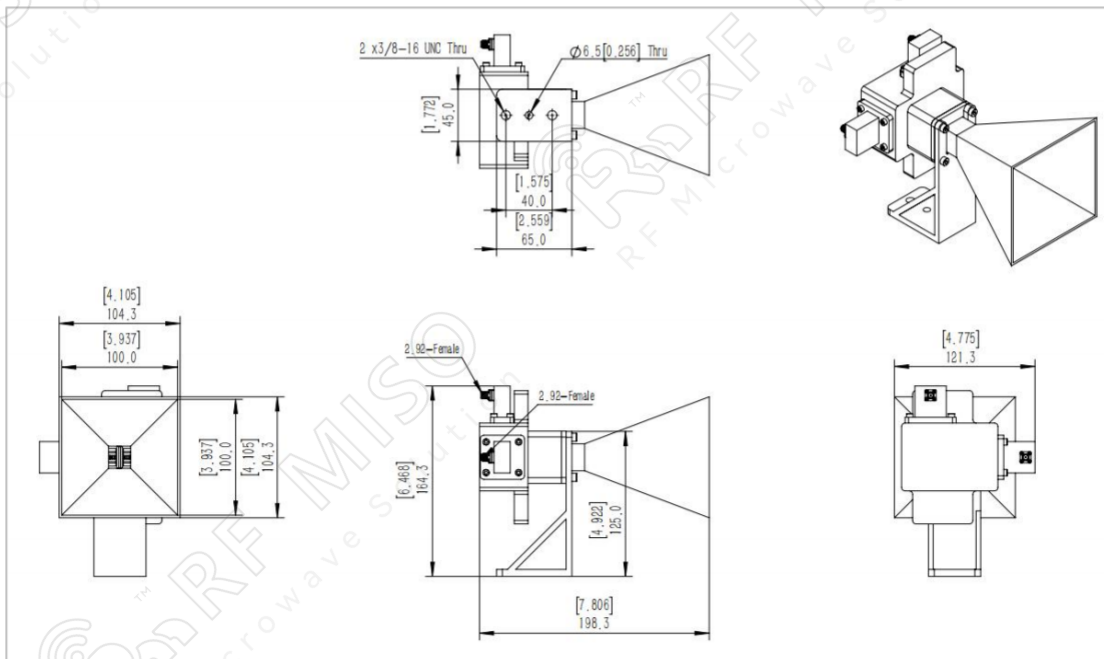
**Dual Linear Polarized Horn Antenna Data Sheet**

**RM-BDPHA1015-20**

**Outline Drawing**



**Outline Drawing with L-Shaped Bracket**





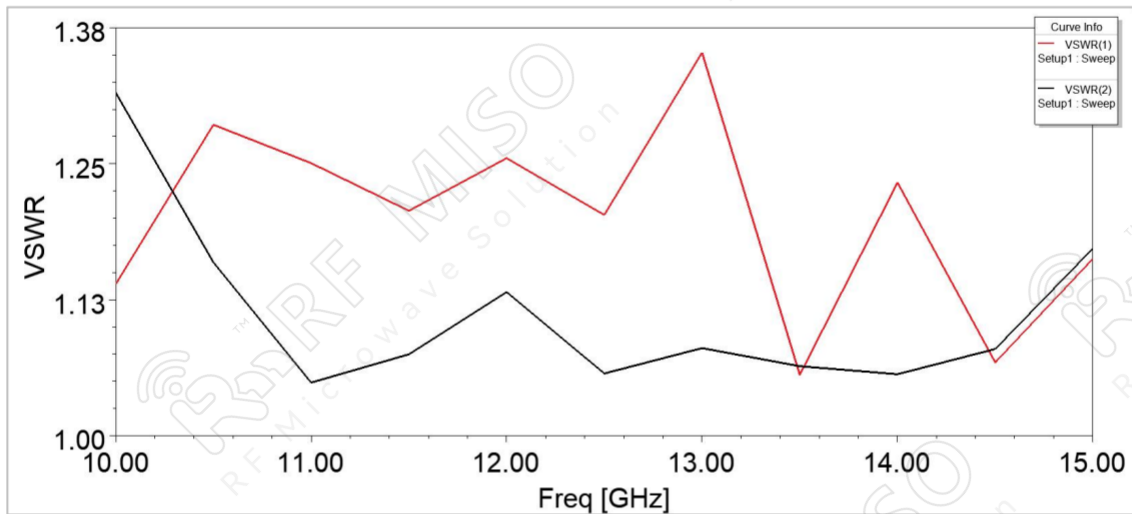
Broadband Dual Polarized Horn Antenna  
20dBi Typ. Gain, 10-15GHz Frequency Range

**Dual Linear Polarized Horn Antenna Data Sheet**

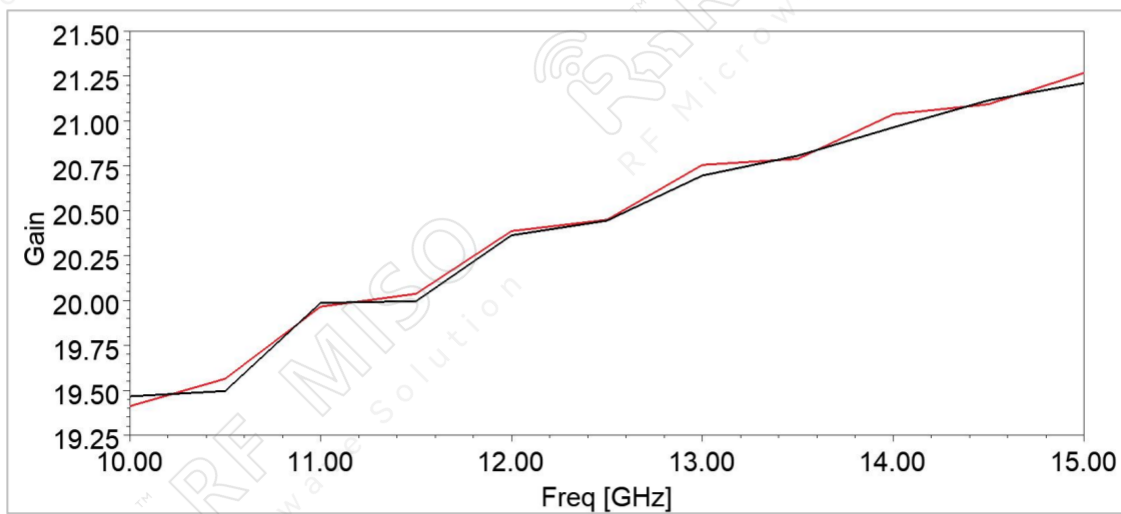
**RM-BDPHA1015-20**

**Simulation results:**

**VSWR**



**Gain**



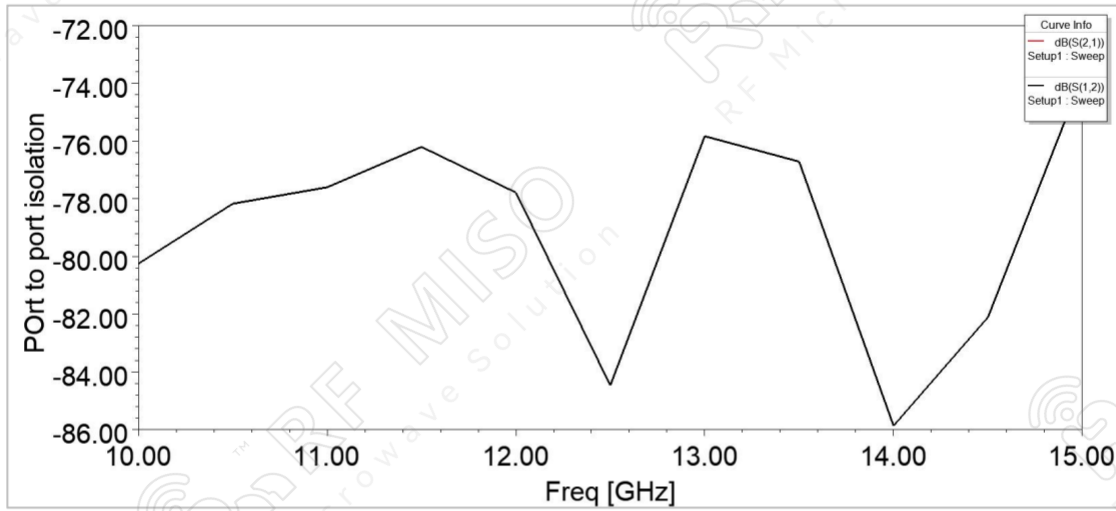


Broadband Dual Polarized Horn Antenna  
20dBi Typ. Gain, 10-15GHz Frequency Range

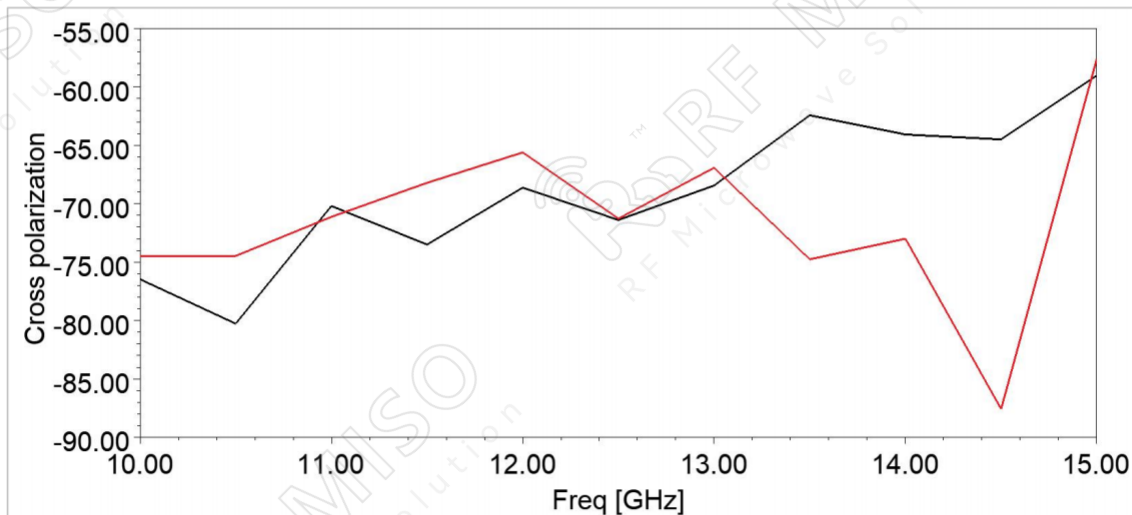
**Dual Linear Polarized Horn Antenna Data Sheet**

**RM-BDPHA1015-20**

**Port Isolation**



**Cross polarization**





Broadband Dual Polarized Horn Antenna  
20dBi Typ. Gain, 10-15GHz Frequency Range

**Dual Linear Polarized Horn Antenna Data Sheet**

**RM-BDPHA1015-20**

**Gain Pattern**

