



*Broadband Dual Polarized Horn Antenna
15 dBi Typ. Gain, 18-54 GHz Frequency Range*

Broadband Dual Polarized Horn Antenna Data Sheet

RM-BDPHA1854-15

Features

- Coaxial Adapter for RF Inputs
- Low VSWR
- Small Size
- Broadband Operation
- Dual Linear Polarized

Descriptions

RF MISO's **Model RM-BDPHA1854-15** is a dual polarized horn antenna that operates from 18 to 40 GHz, The antenna offers 15dBi typical gain. The antenna VSWR is typical 1.5:1. The antenna RF ports are 2.4mm-KFD connector. The antenna can be widely used in EMI detection, orientation, reconnaissance, antenna gain and pattern measurement and other application fields.

Specifications

RM-BDPHA1854-15		
Parameters	Typical	Units
Frequency Range	18-54	GHz
Gain	15 Typ.	dBi
VSWR	1.5 Typ.	
Polarization	Dual Linear	
Cross Pol. Isolation	40 Typ.	dB
Port Isolation	40 Typ.	dB
Connector	2.4mm-F	
Material	Al	
Finishing	Paint	
Size	67.2*61.3*61.3(L*W*H)	mm
Weight	0.091	kg

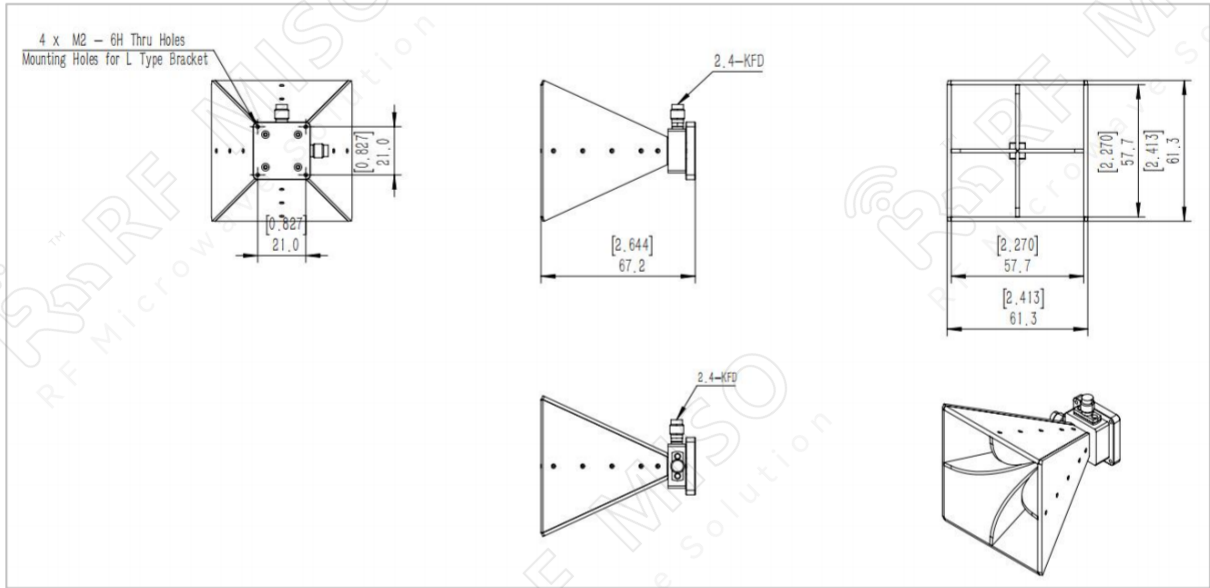


*Broadband Dual Polarized Horn Antenna
15 dBi Typ. Gain, 18-54 GHz Frequency Range*

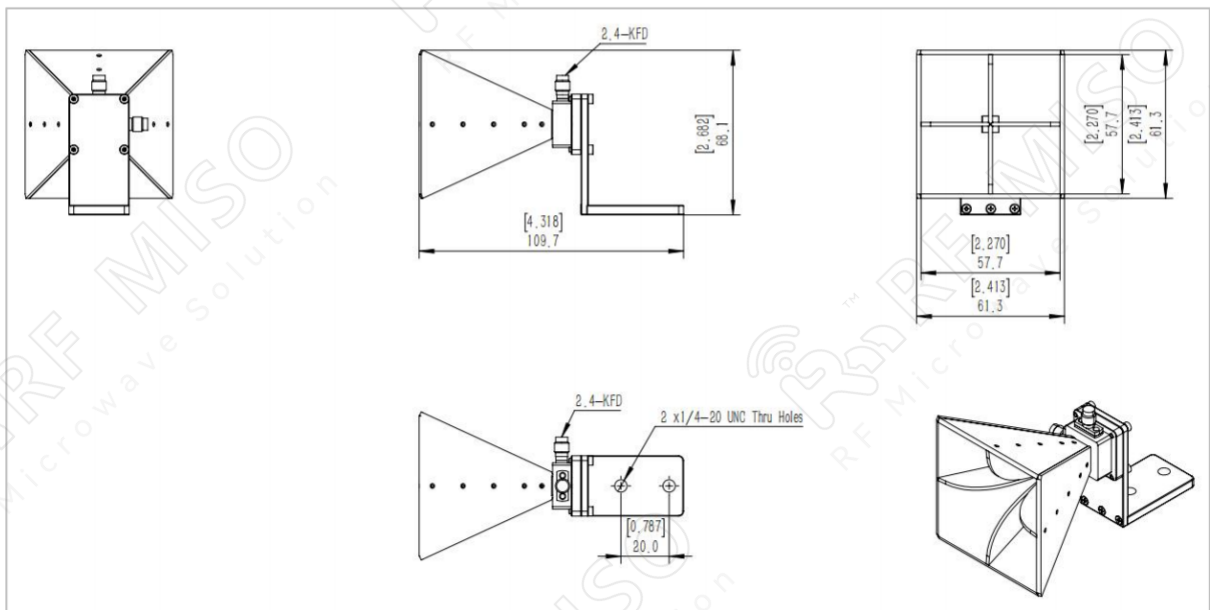
Broadband Dual Polarized Horn Antenna Data Sheet

RM-BDPHA1854-15

Outline Drawing



Outline Drawing with Mounting Bracket



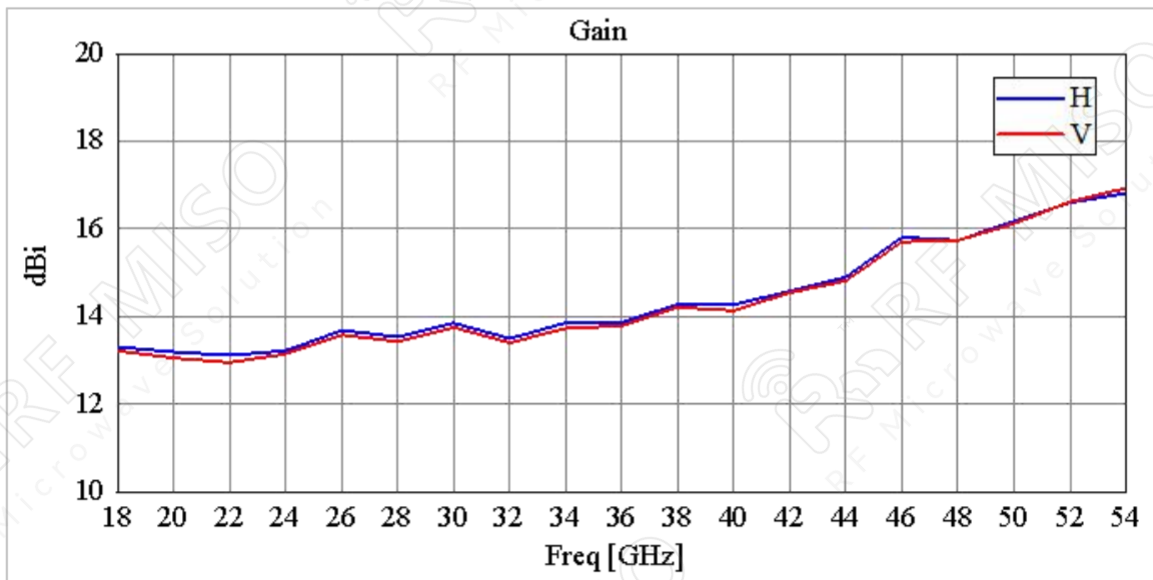
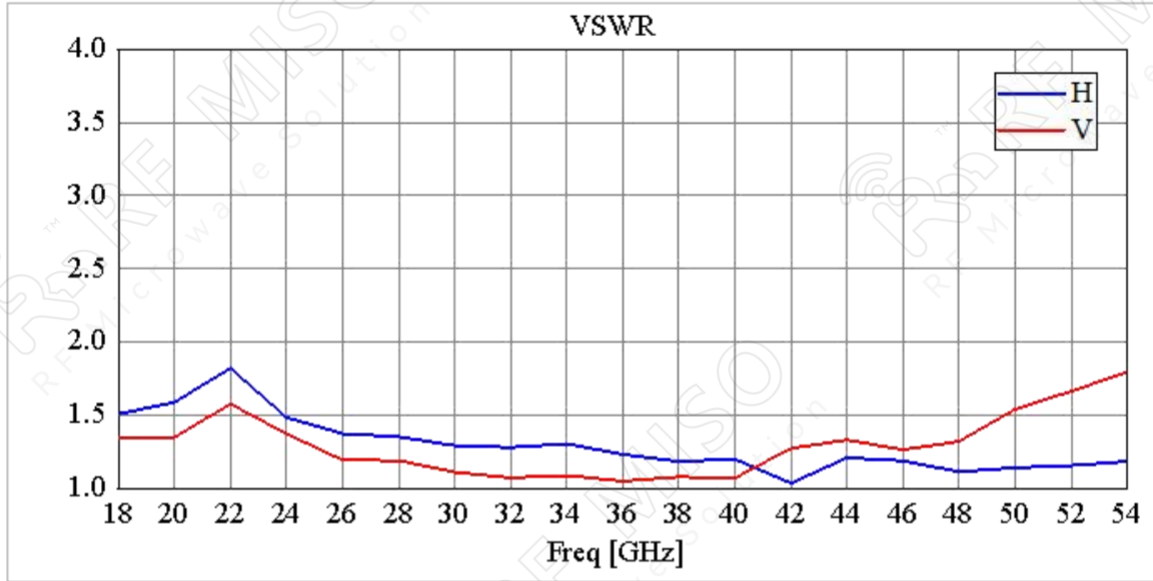


Broadband Dual Polarized Horn Antenna
15 dBi Typ. Gain, 18-54 GHz Frequency Range

Broadband Dual Polarized Horn Antenna Data Sheet

RM-BDPHA1854-15

Testing Data

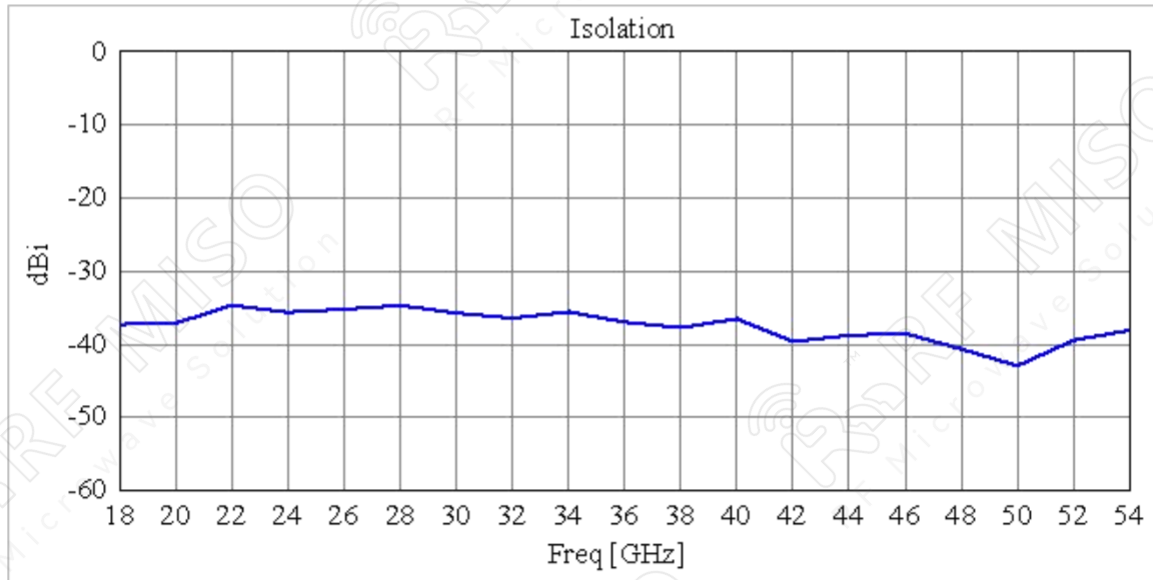
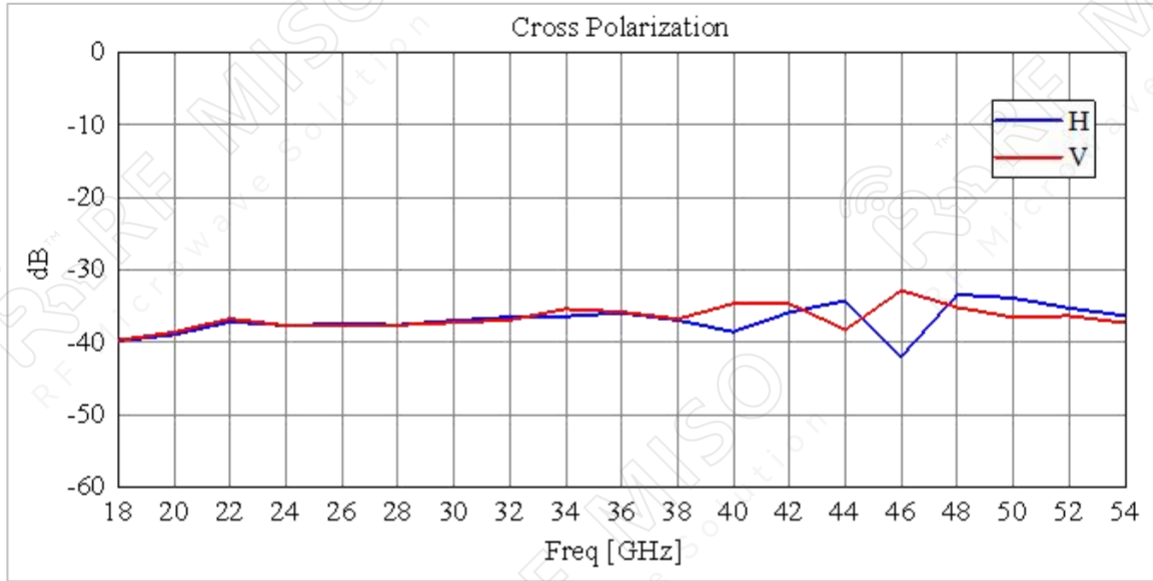




*Broadband Dual Polarized Horn Antenna
15 dBi Typ. Gain, 18-54 GHz Frequency Range*

Broadband Dual Polarized Horn Antenna Data Sheet

RM-BDPHA1854-15





*Broadband Dual Polarized Horn Antenna
15 dBi Typ. Gain, 18-54 GHz Frequency Range*

Broadband Dual Polarized Horn Antenna Data Sheet

RM-BDPHA1854-15

Gain Patterns

