

*Broadband Dual Polarized Quad Ridged Horn Antenna
7 dBi Typ. Gain, 2-12 GHz Frequency Range*

Broadband Dual Polarized Horn Antenna Data Sheet

RM-BDPHA212-7

Specifications

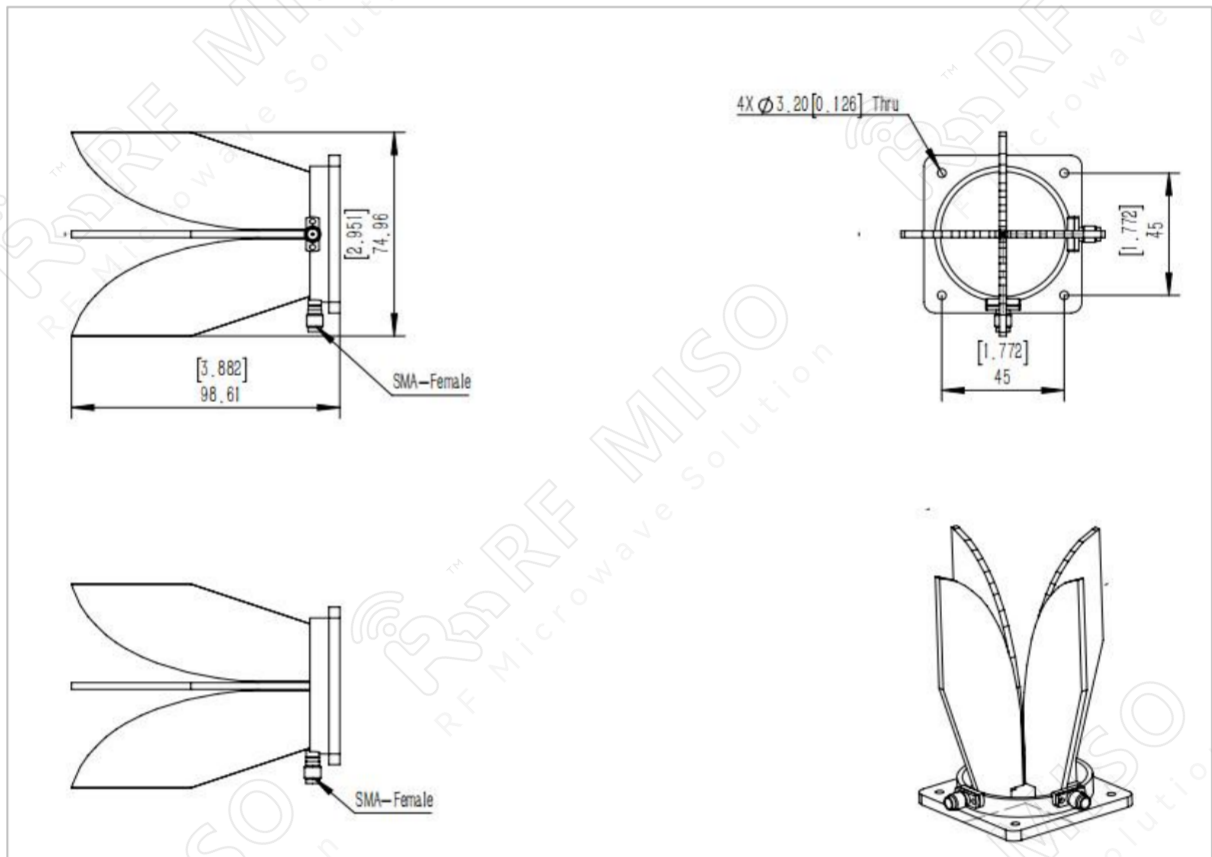
RM-BDPHA212-7		
Parameters	Typical	Units
Frequency Range	2-12	GHz
Gain	7 Typ.	dBi
VSWR	1.5 Typ.	
Polarization	Dual	
AR	<1.6	dB
Connector	SMA-Female	
Material	Al	
Finishing	Paint	
Size	98.61*74.96*74.96	mm
Weight	0.112	kg

*Broadband Dual Polarized Quad Ridged Horn Antenna
7 dBi Typ. Gain, 2-12 GHz Frequency Range*

Broadband Dual Polarized Horn Antenna Data Sheet

RM-BDPHA212-7

Outline Drawing



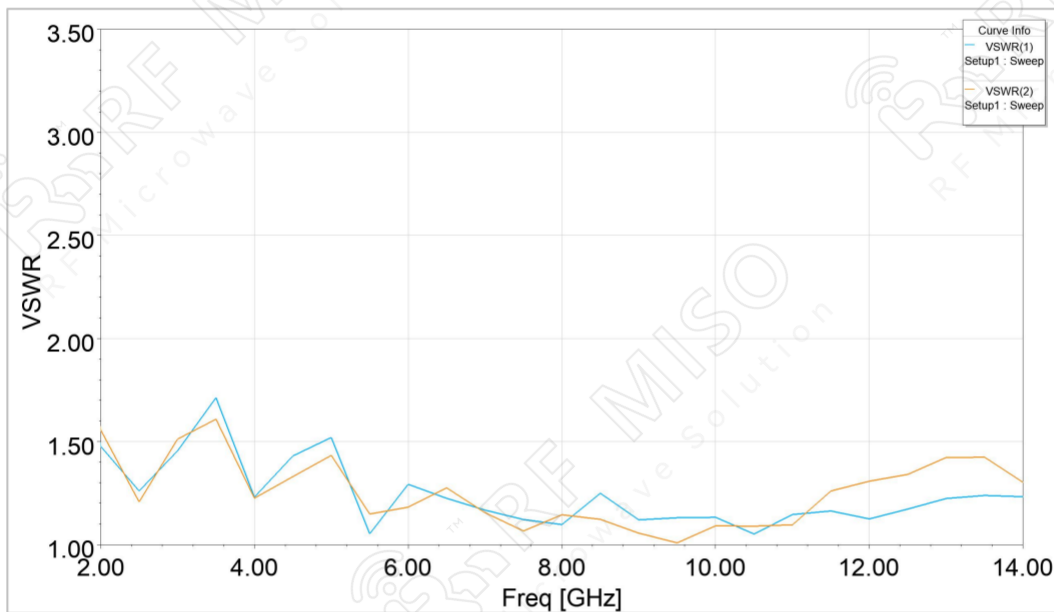
*Broadband Dual Polarized Quad Ridged Horn Antenna
7 dBi Typ. Gain, 2-12 GHz Frequency Range*

Broadband Dual Polarized Horn Antenna Data Sheet

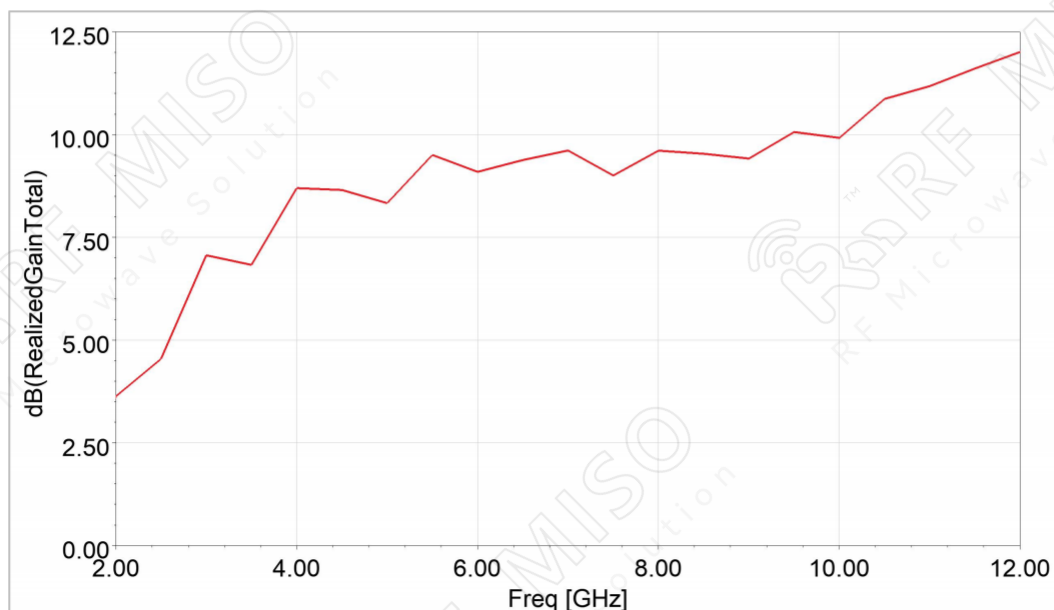
RM-BDPHA212-7

Simulation Data

VSWR



Gain



*Broadband Dual Polarized Quad Ridged Horn Antenna
7 dBi Typ. Gain, 2-12 GHz Frequency Range*

Broadband Dual Polarized Horn Antenna Data Sheet

RM-BDPHA212-7

