



*Broadband Dual Polarized Horn Antenna
21 dBi Typ. Gain, 42-44 GHz Frequency Range*

Broadband Dual Polarized Horn Antenna Data Sheet

RM-BDPHA4244-21

Features

- Coaxial Adapter for RF Inputs
- Low VSWR
- Small Size
- High Isolation
- Dual Linear Polarized

Descriptions

RF MISO's **Model RM-BDPHA4244-21** is a dual polarized horn antenna that operates from 42 to 44 GHz, The antenna offers 21dBi typical gain. The antenna VSWR is typical 1.2:1. The antenna RF ports are 2.4mm-F connector. The antenna can be widely used in EMI detection, orientation, reconnaissance, antenna gain and pattern measurement and other application fields.

Specifications

RM-BDPHA4244-21		
Parameters	Typical	Units
Frequency Range	42-44	GHz
Gain	21 Typ.	dBi
VSWR	1.2 Typ.	
Polarization	Dual Linear	
Cross Pol. Isolation	60 Typ.	dB
Port Isolation	70 Typ.	dB
Connector	2.4mm-F	
Material	Al	
Finishing	Paint	
Size	95.8*30.9*30.9(L*W*H)	mm
Weight	0.037	kg

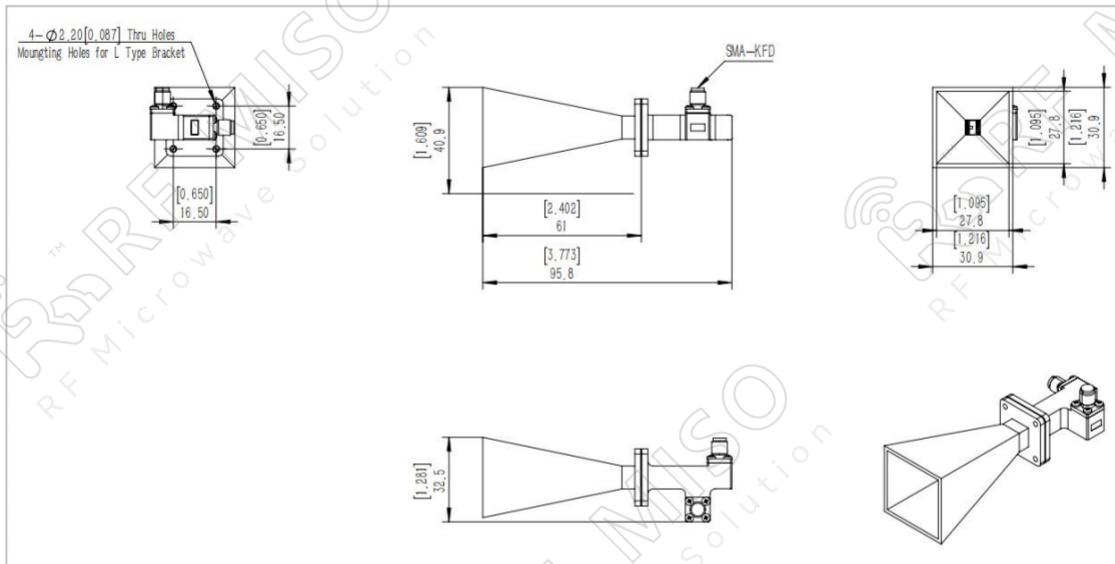


*Broadband Dual Polarized Horn Antenna
21 dBi Typ. Gain, 42-44 GHz Frequency Range*

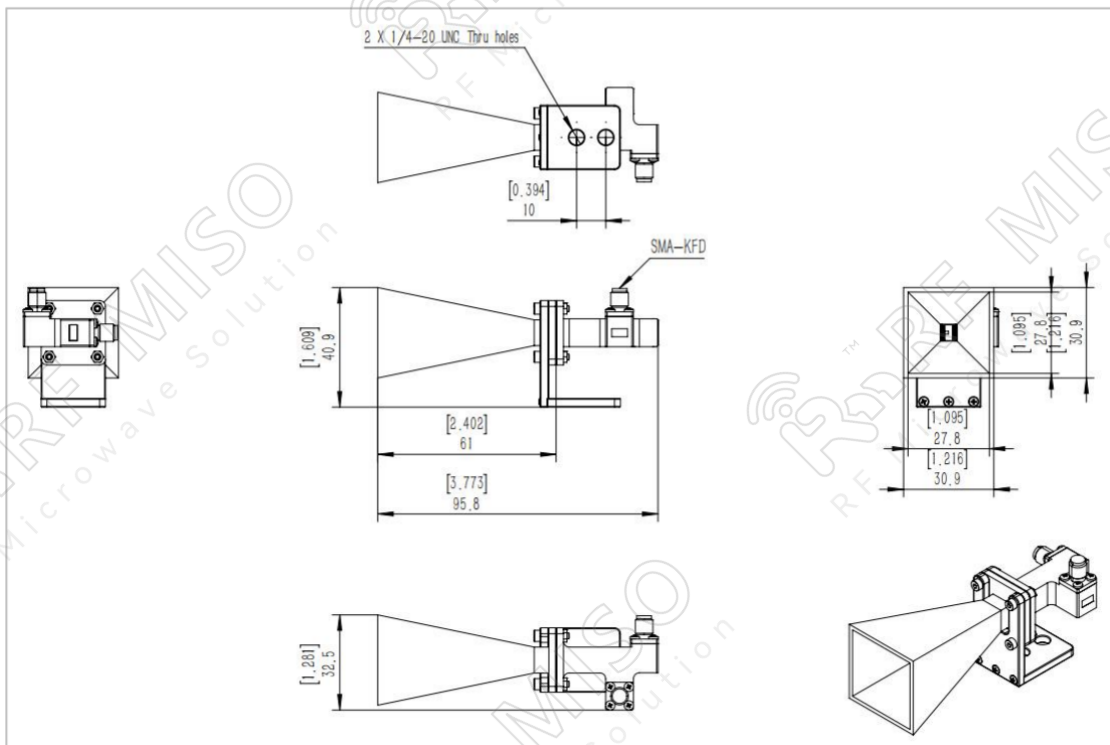
Broadband Dual Polarized Horn Antenna Data Sheet

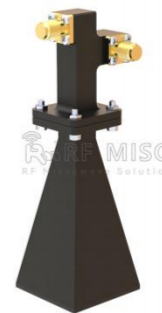
RM-BDPHA4244-21

Outline Drawing



Outline Drawing with Mounting Bracket



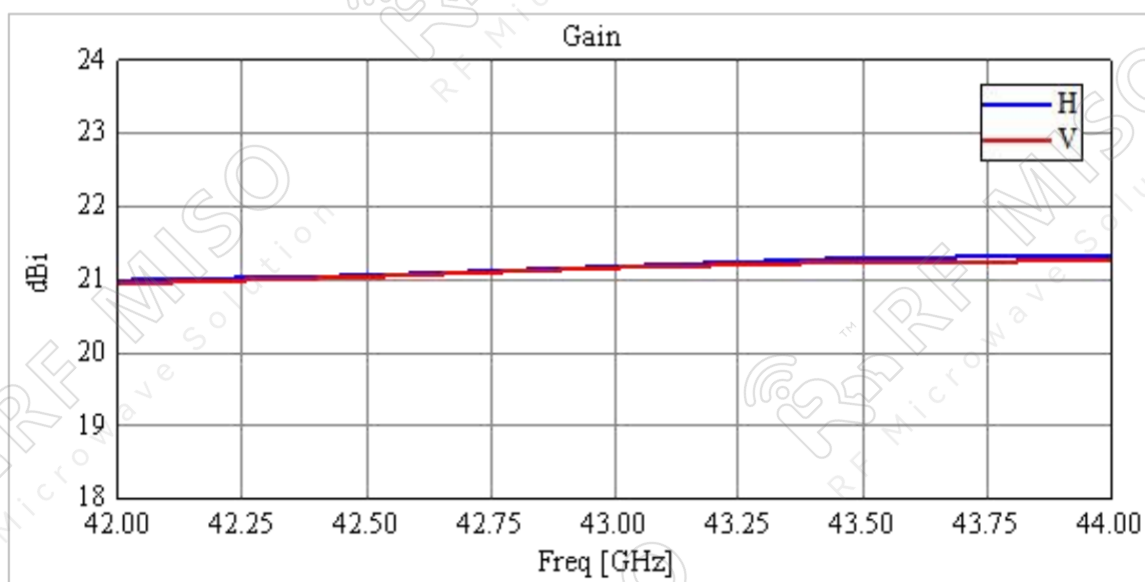
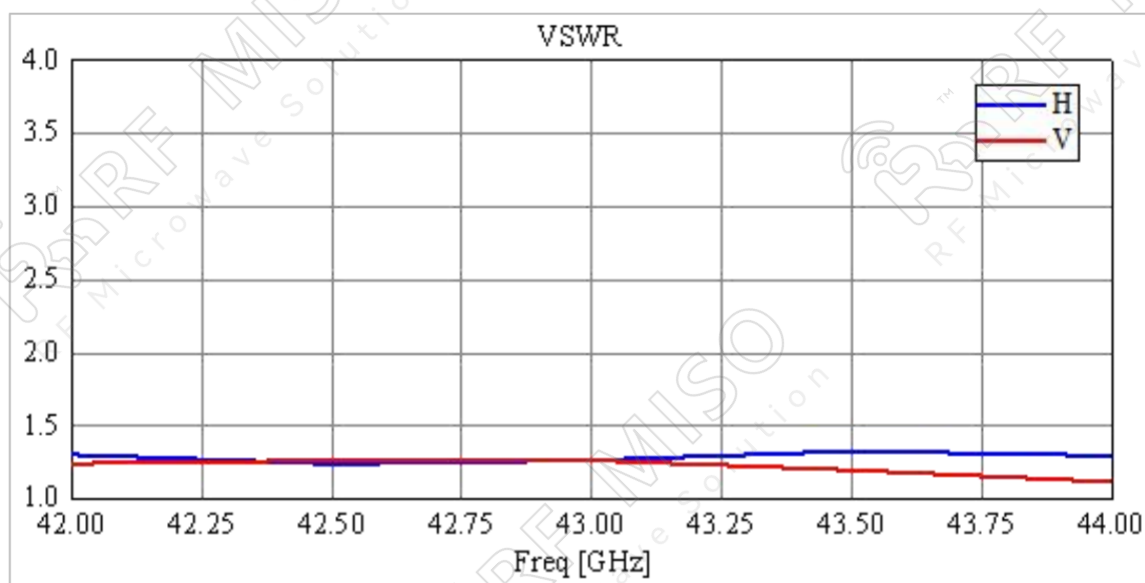


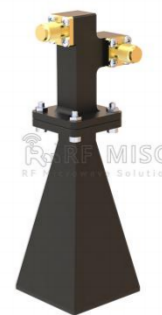
*Broadband Dual Polarized Horn Antenna
21 dBi Typ. Gain, 42-44 GHz Frequency Range*

Broadband Dual Polarized Horn Antenna Data Sheet

RM-BDPHA4244-21

Testing Data

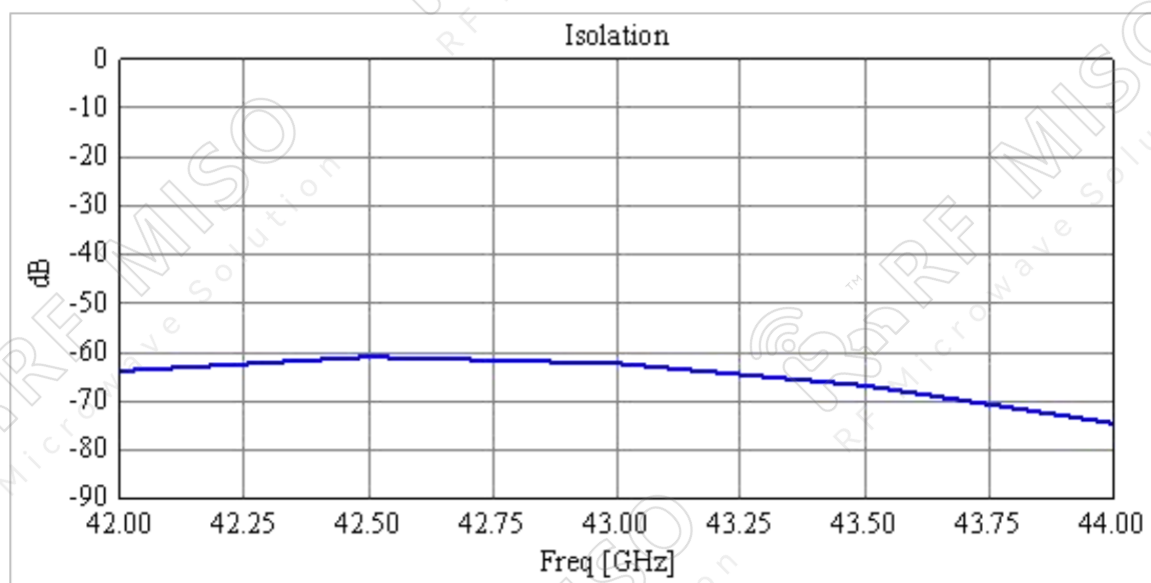
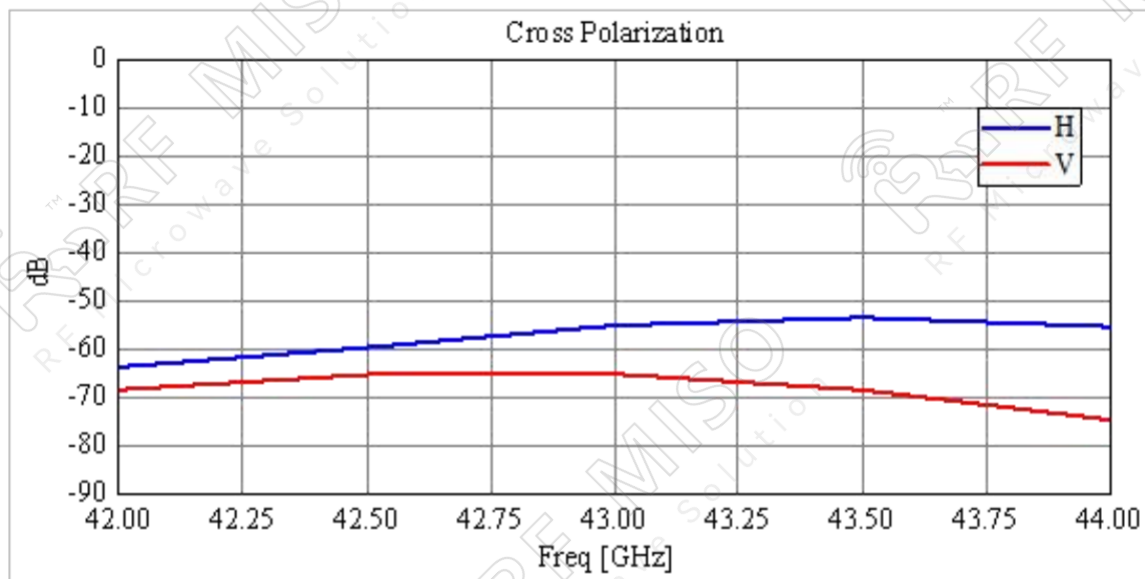




*Broadband Dual Polarized Horn Antenna
21 dBi Typ. Gain, 42-44 GHz Frequency Range*

Broadband Dual Polarized Horn Antenna Data Sheet

RM-BDPHA4244-21





Broadband Dual Polarized Horn Antenna
21 dBi Typ. Gain, 42-44 GHz Frequency Range

Broadband Dual Polarized Horn Antenna Data Sheet

RM-BDPHA4244-21

Gain Patterns

