



*Broadband Dual Polarized Horn Antenna
12 dBi Typ. Gain, 6-18 GHz Frequency Range*

Broadband Dual Polarized Horn Antenna Data Sheet

RM-BDPHA618-12

Features

- Coaxial Adapter for RF Inputs
- Low VSWR
- Small Size
- Broadband Operation
- Dual Linear Polarized

Descriptions

RF MISO's **Model RM-BDPHA618-12** is a dual polarized horn antenna that operates from 6 to 18 GHz, The antenna offers 12dBi typical gain. The antenna VSWR is typical 1.4:1. The antenna RF ports are SMA-F connector. The antenna can be widely used in EMI detection, orientation, reconnaissance, antenna gain and pattern measurement and other application fields.

Specifications

RM-BDPHA618-12		
Parameters	Typical	Units
Frequency Range	6-18	GHz
Gain	12 Typ.	dBi
VSWR	1.4 Typ.	
Polarization	Dual Linear	
Cross Pol. Isolation	35 Typ.	dB
Port Isolation	35 Typ.	dB
Connector	SMA-F	
Material	Al	
Finishing	Paint	
Size	74*43*43(L*W*H)	mm
Weight	0.088	kg

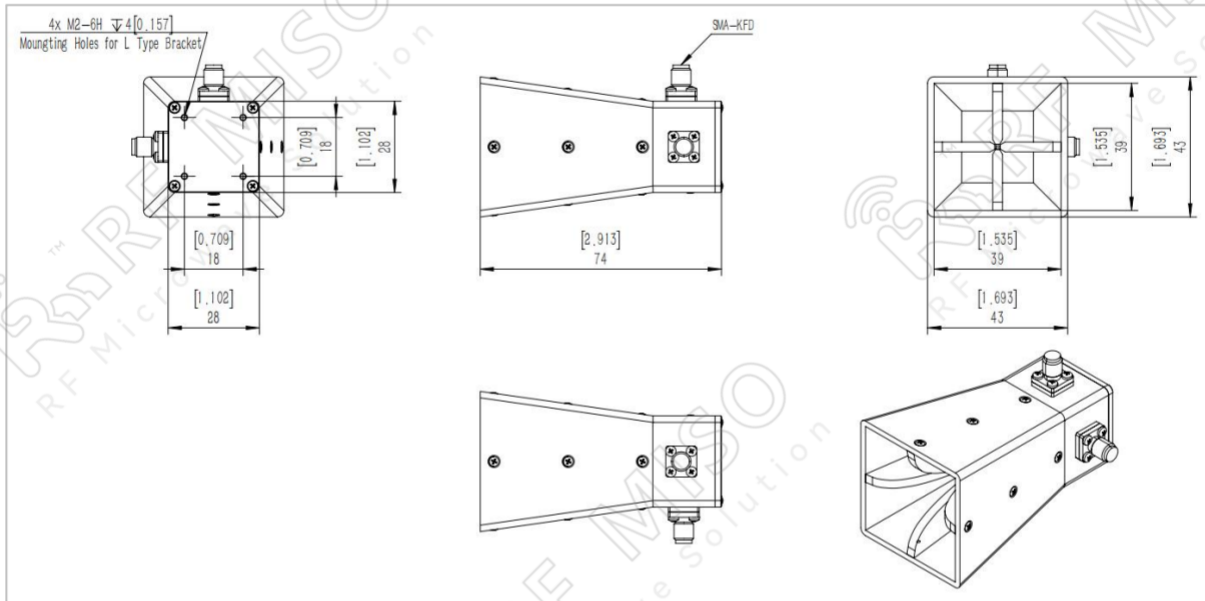


*Broadband Dual Polarized Horn Antenna
12 dBi Typ. Gain, 6-18 GHz Frequency Range*

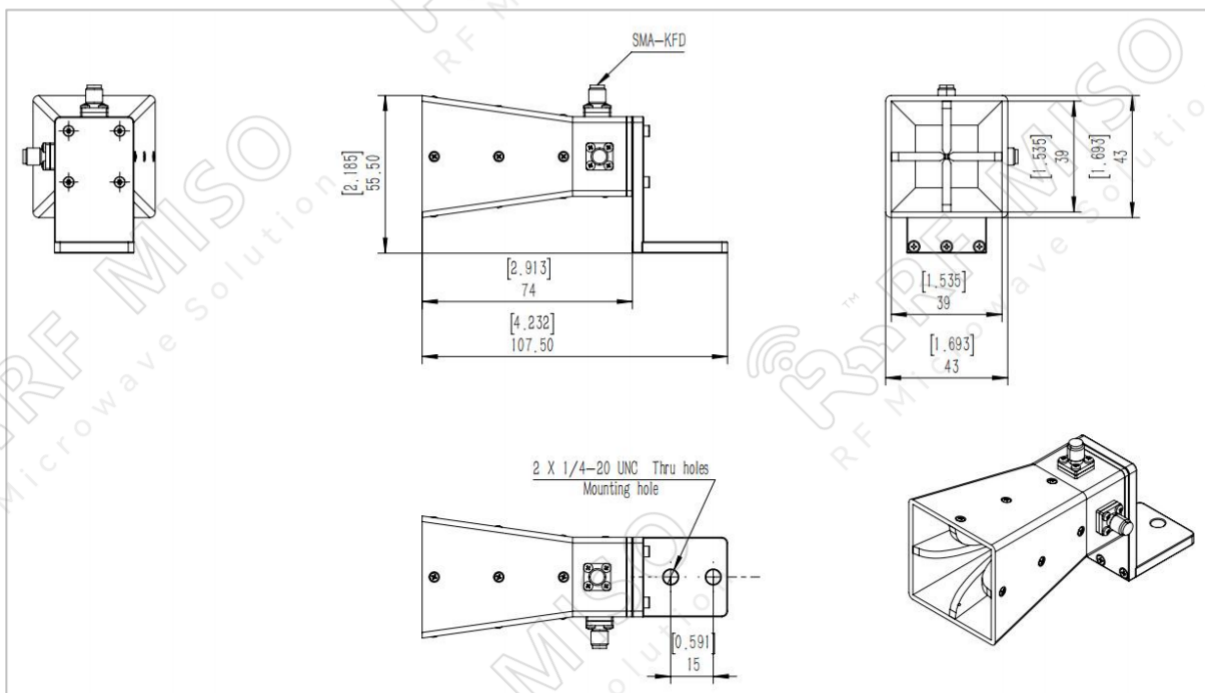
Broadband Dual Polarized Horn Antenna Data Sheet

RM-BDPHA618-12

Outline Drawing



Outline Drawing with Mounting Bracket



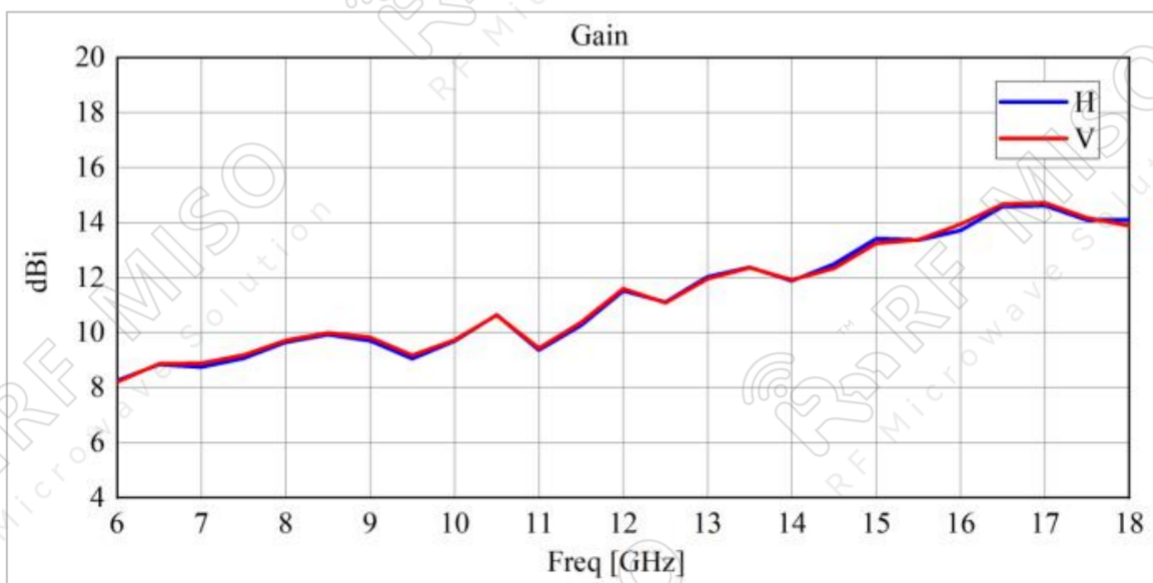
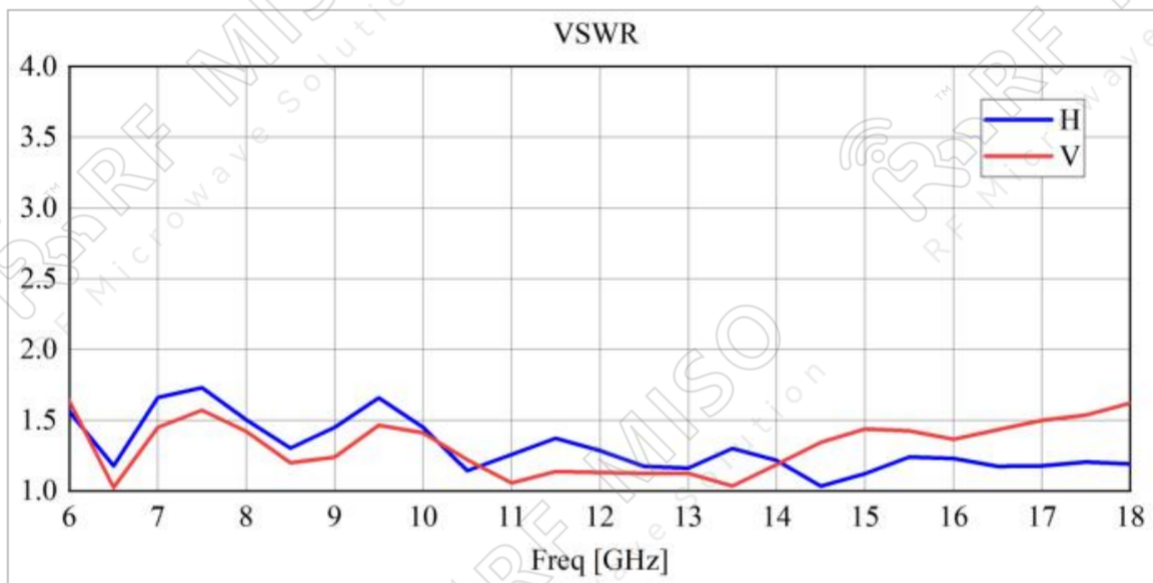


*Broadband Dual Polarized Horn Antenna
12 dBi Typ. Gain, 6-18 GHz Frequency Range*

Broadband Dual Polarized Horn Antenna Data Sheet

RM-BDPHA618-12

Testing Data

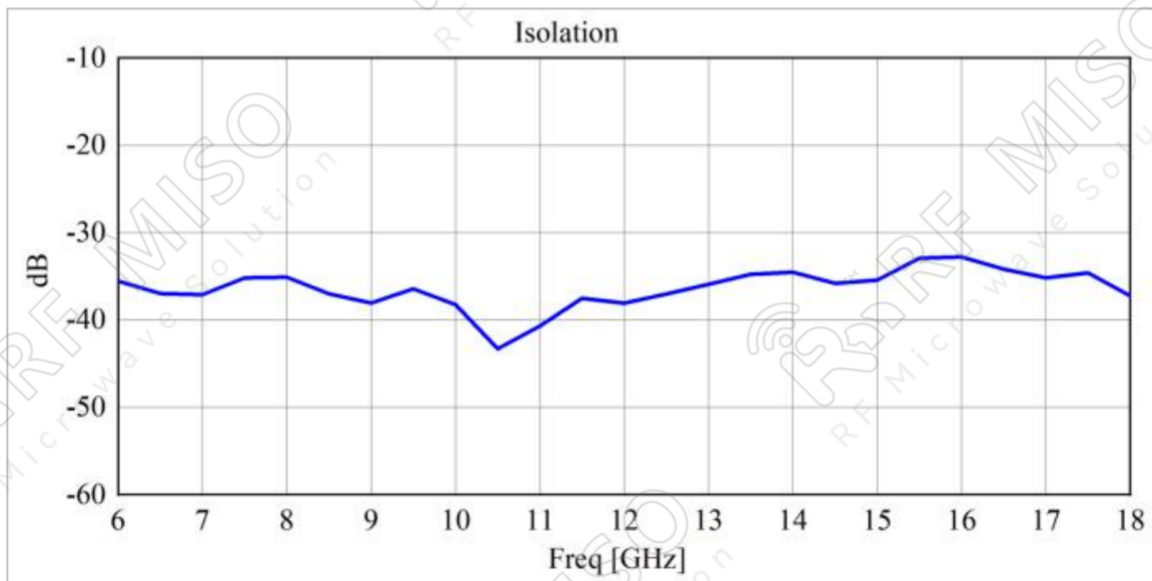
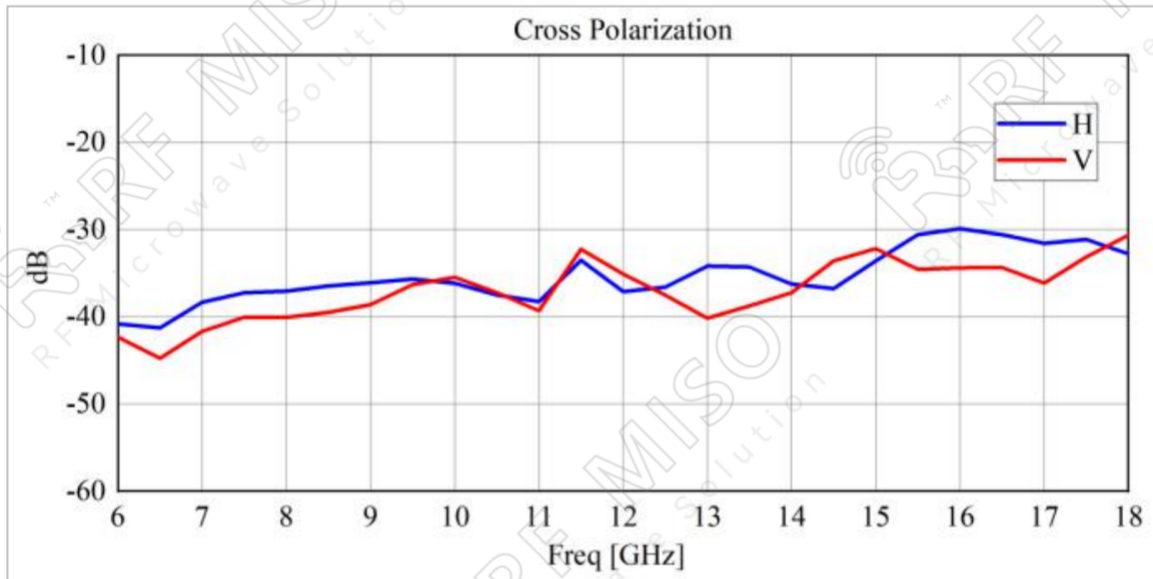




Broadband Dual Polarized Horn Antenna
12 dBi Typ. Gain, 6-18 GHz Frequency Range

Broadband Dual Polarized Horn Antenna Data Sheet

RM-BDPHA618-12





Broadband Dual Polarized Horn Antenna
12 dBi Typ. Gain, 6-18 GHz Frequency Range

Broadband Dual Polarized Horn Antenna Data Sheet

RM-BDPHA618-12

Gain Patterns

