



*Broadband Dual Horn Antenna  
12 dBi Typ. Gain, 6-24.5GHz Frequency Range*

## Broadband Horn Antenna Data Sheet

**RM-BDPHA6245-12**

### Features

- Ideal for Antenna Measurements
- Dual Polarization
- Broadband Operation
- Quad Ridged

### Description

The **RM-BDPHA6245-12** is a dual polarized broadband horn antenna that operates in the frequency range of 6 GHz to 24.5 GHz. The antenna offers a typical gain of 12dBi and low VSWR 1.3:1 with SMA-F connector. The antenna supports dual polarized waveforms. It is suitable for extensive applications such as EMC/EMI testing, surveillance, direction finding, as well as antenna gain and pattern measurements.

### Specifications

RM-BDPHA6245-12		
Item	Specification	Units
Frequency Range	6-24.5	GHz
Gain	12 Typ.	dBi
VSWR	1.3:1	
Polarization	Dual	
Connector	SMA-Female	
Finishing	Paint	
Material	Al	dB
Size(L*W*H)	81.5*42*42(±5)	mm
Weight	0.036	kg



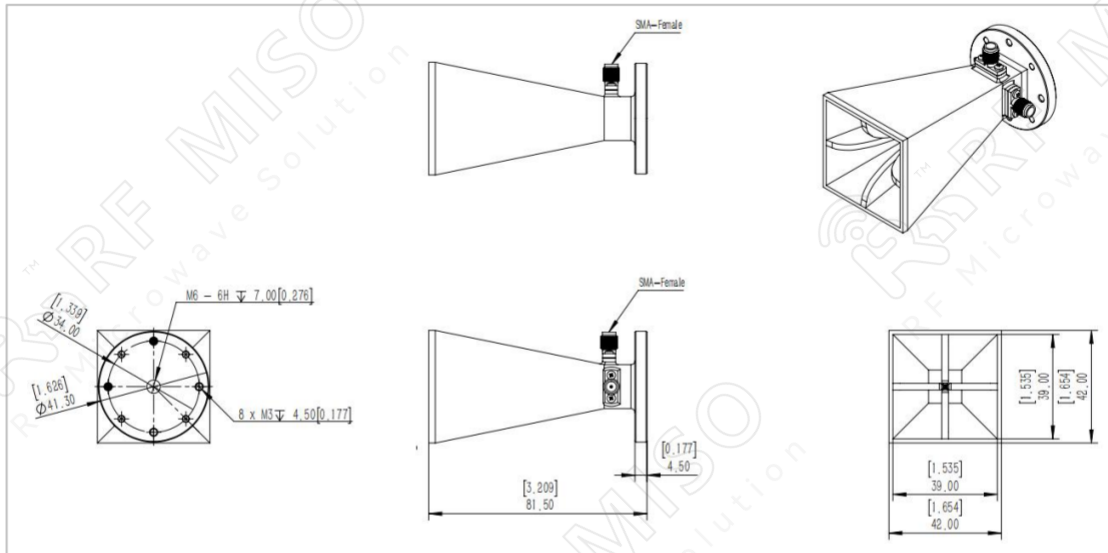
*Broadband Dual Horn Antenna*  
*12 dBi Typ. Gain, 6-24.5GHz Frequency Range*

**Broadband Horn Antenna Data Sheet**

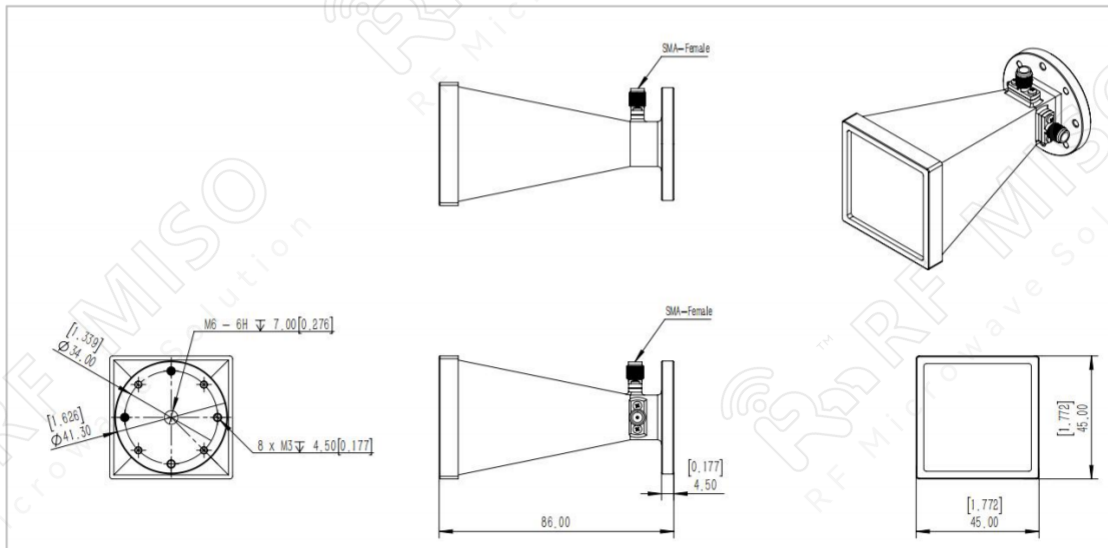
**RM-BDPHA6245-12**

**Mechanical Drawing**

N-type connector is available, please contact RF Miso.



**Mechanical Drawing with Radome (P/N: RM-BDPHA6245-12R)**



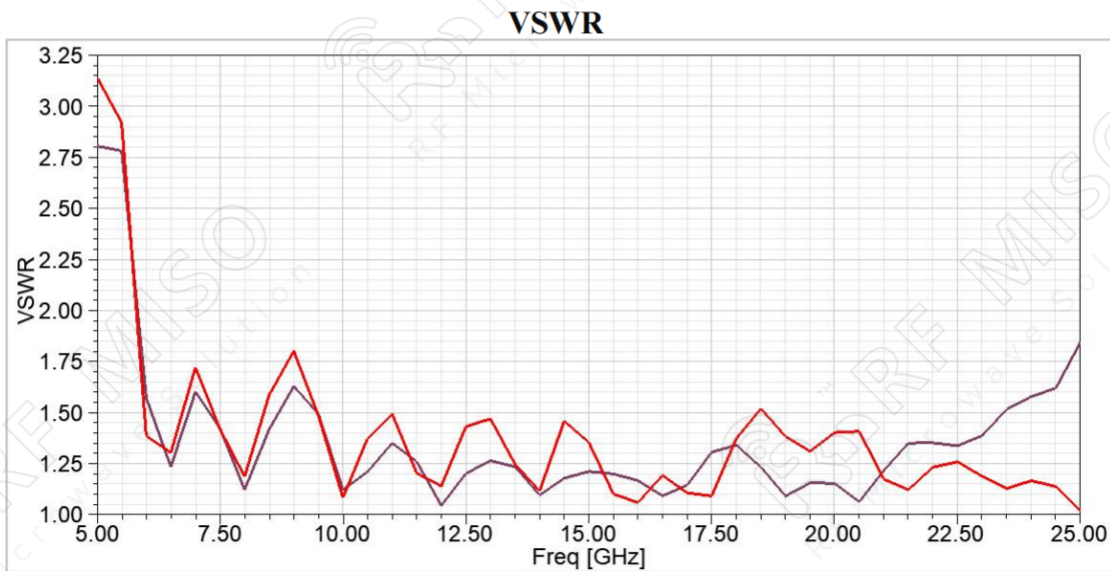
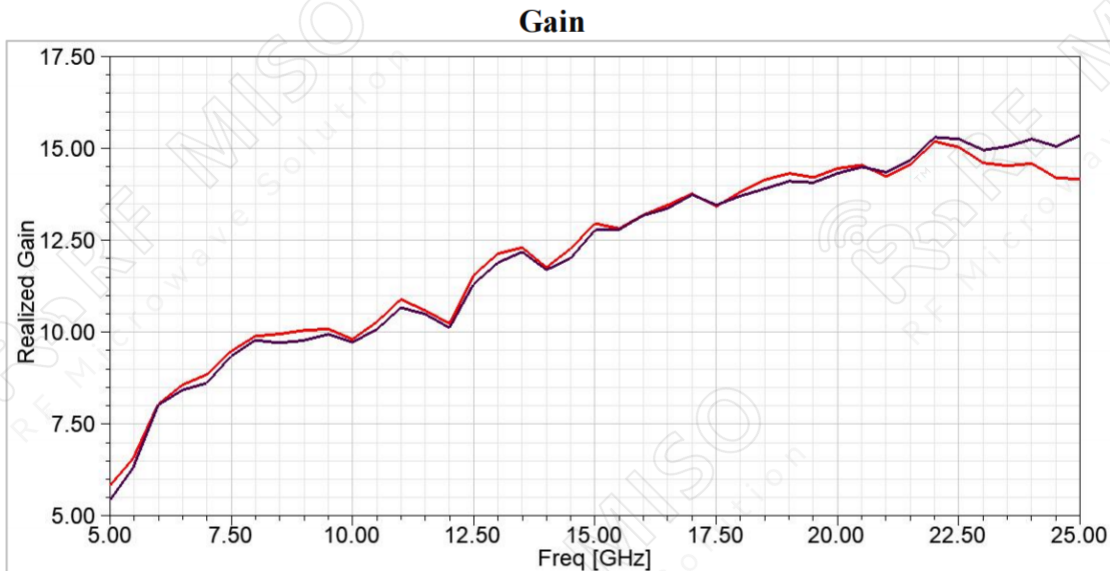


Broadband Dual Horn Antenna  
12 dBi Typ. Gain, 6-24.5GHz Frequency Range

**Broadband Horn Antenna Data Sheet**

**RM-BDPHA6245-12**

**Simulation Results**



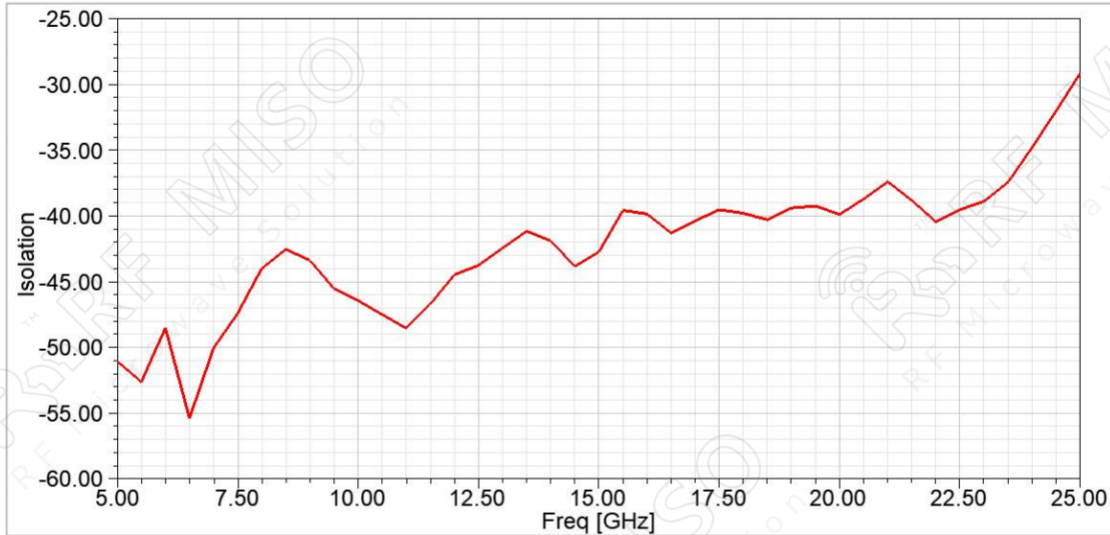


*Broadband Dual Horn Antenna*  
*12 dBi Typ. Gain, 6-24.5GHz Frequency Range*

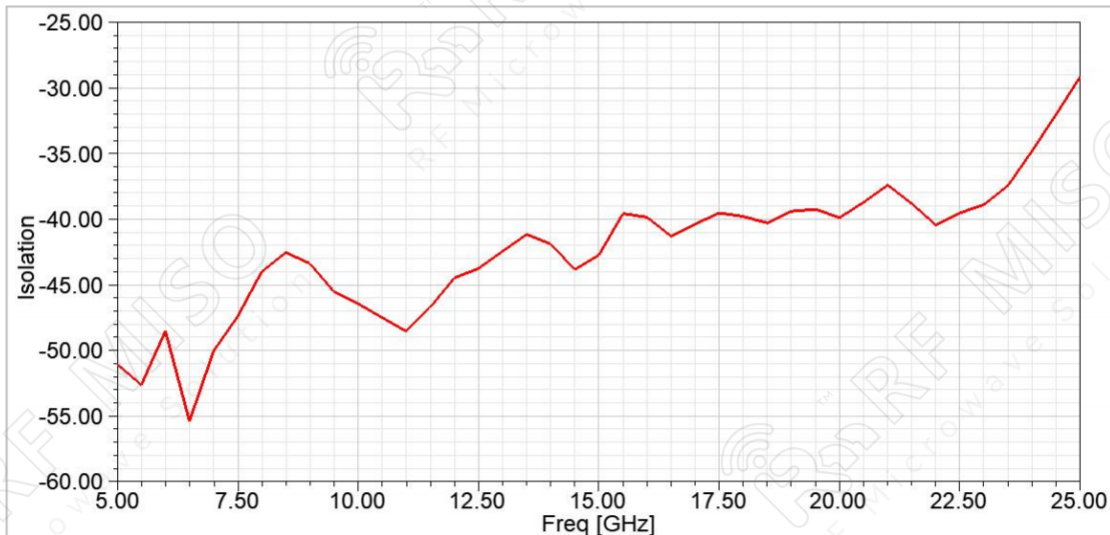
**Broadband Horn Antenna Data Sheet**

**RM-BDPHA6245-12**

**Port Isolation**



**Cross Polarization**



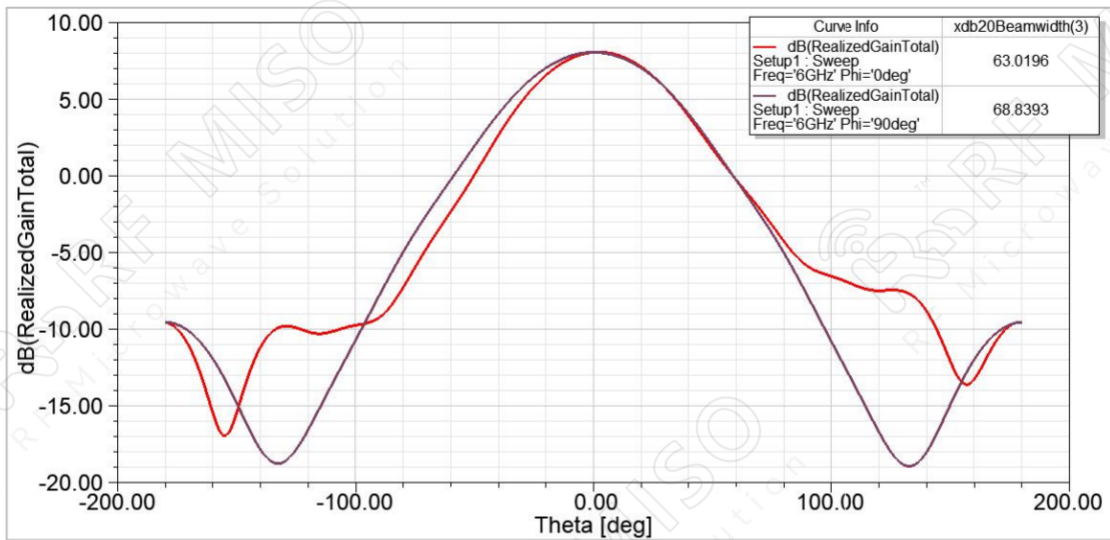


Broadband Dual Horn Antenna  
12 dBi Typ. Gain, 6-24.5GHz Frequency Range

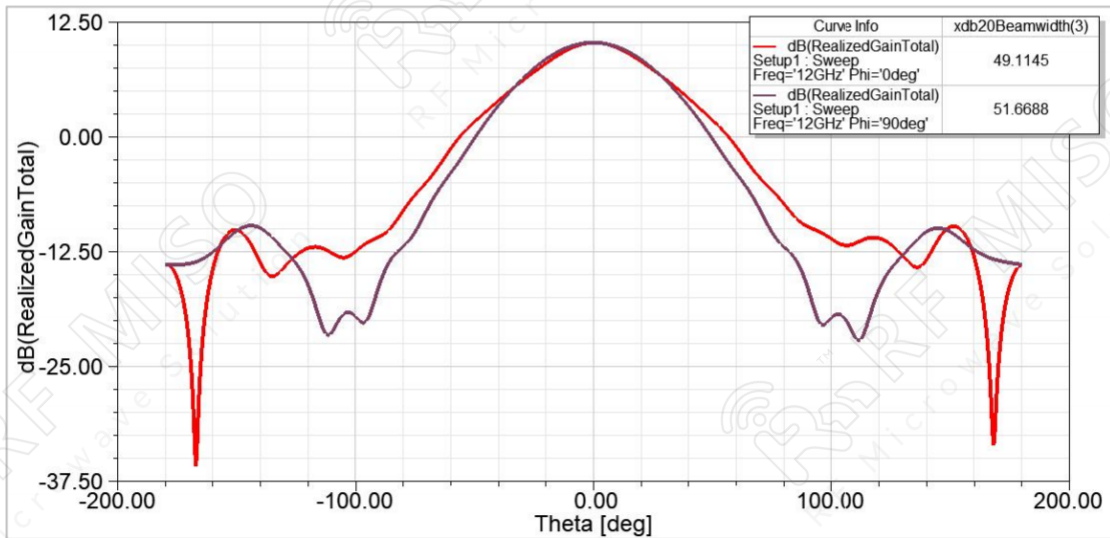
**Broadband Horn Antenna Data Sheet**

**RM-BDPHA6245-12**

**Gain Pattern**



**6 GHz**



**12 GHz**

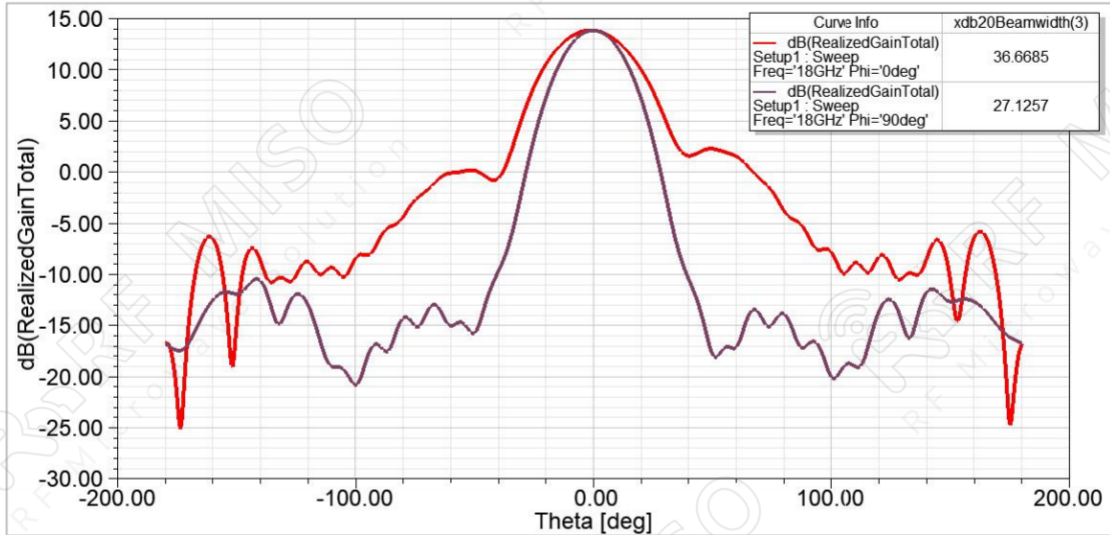




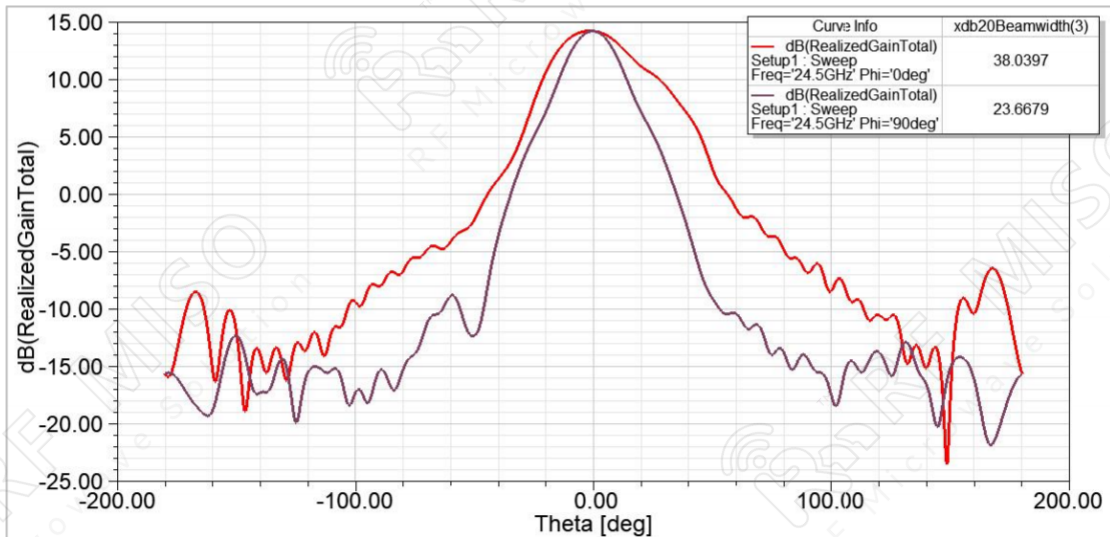
Broadband Dual Horn Antenna  
12 dBi Typ. Gain, 6-24.5GHz Frequency Range

**Broadband Horn Antenna Data Sheet**

**RM-BDPHA6245-12**



**18 GHz**



**24.5 GHz**