

*Conical Dual Polarized Horn Antenna  
0.8-2 GHz Frequency Range, 8 dBi Typ. Gain*

**Conical Dual Polarized Horn Antenna Data Sheet**

**RM-CDPHA082-8**

**Features**

- Coaxial Adapter for RF Inputs
- Low VSWR
- Broadband Operation
- Dual Linear Polarized

**Descriptions**

RF MISO's **Model RM-CDPHA082-8** is a dual polarized horn antenna that operates from 0.8 to 2GHz, The antenna offers 8 dBi typical gain. The antenna VSWR is 1.8:1 typical. The antenna cross polarization isolation is typical 45 dB. It can be widely used in EMI detection, orientation, reconnaissance, antenna gain and pattern measurement and other application fields.

**Specifications**

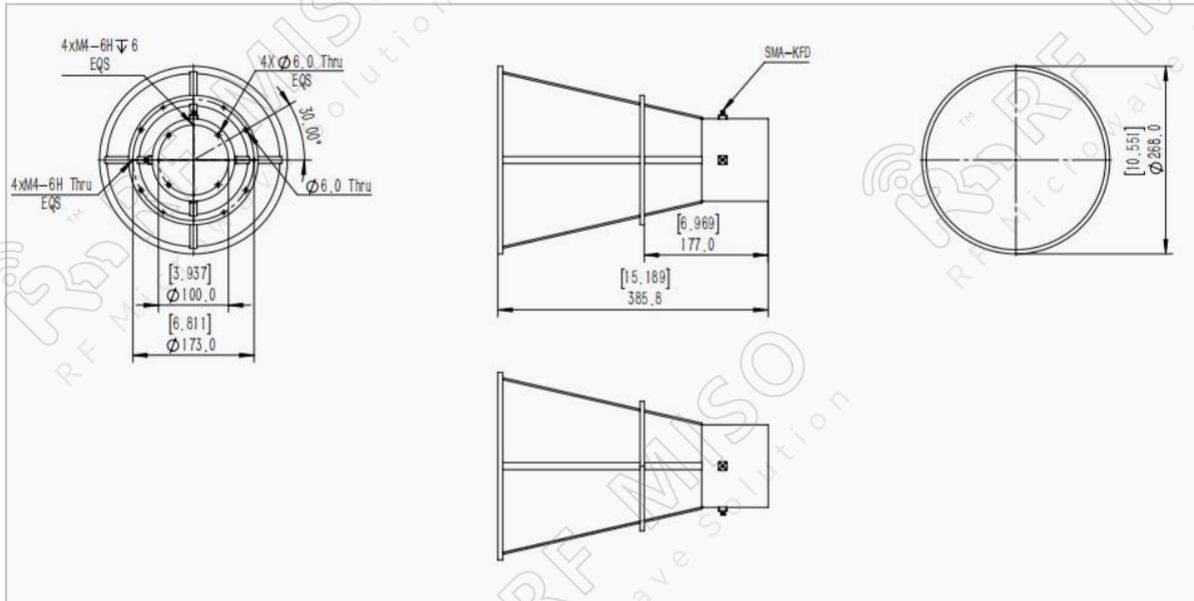
<b>RM-CDPHA082-8</b>		
Parameters	Typical	Units
Frequency Range	0.8-2	GHz
Gain	8 Typ.	dBi
VSWR	1.8 Typ.	
Polarization	Dual Linear	
Cross Polarization Isolation	45 Typ.	dB
Connector	SMA-KFD	
Finishing	Paint	
Size (L*W*H)	385.8*268*268(±5)	mm
Weight	2.187	kg

*Conical Dual Polarized Horn Antenna*  
*0.8-2 GHz Frequency Range, 8 dBi Typ. Gain*

**Conical Dual Polarized Horn Antenna Data Sheet**

**RM-CDPHA082-8**

**Outline Drawing**



**Test Results**

**Cross Polarization**



Conical Dual Polarized Horn Antenna  
0.8-2 GHz Frequency Range, 8 dBi Typ. Gain

Conical Dual Polarized Horn Antenna Data Sheet

RM-CDPHA082-8

Gain

