



Conical Dual Horn Antenna

12 dBi Typ. Gain, 2-18GHz Frequency Range

Conical Dual Horn Antenna Data Sheet

RM-CDPHA218-12

Features

- Ideal for Antenna Measurements
- Dual Polarization
- Broadband Operation
- Quad Ridged

Description

The **RM-CDPHA218-12** is a dual polarized broadband horn antenna that operates in the frequency range of 2 GHz to 18 GHz. The antenna offers a typical gain of 12dBi and low VSWR 1.5:1 with SMA-F connector. The antenna supports dual polarized waveforms. It is suitable for extensive applications such as EMC/EMI testing, surveillance, direction finding, as well as antenna gain and pattern measurements.

Specifications

RM-CDPHA218-12		
Item	Specification	Units
Frequency Range	2-18	GHz
Gain	12 Typ.	dBi
VSWR	1.5:1	
Polarization	Dual	
Connector	SMA-Female	
Finishing	Paint	
Material	Al	dB
Average Power	50	W
Peak Power	100	W
Size(L*W*H)	291.2* Φ 140 (\pm 5)	mm
Weight	0.589	kg



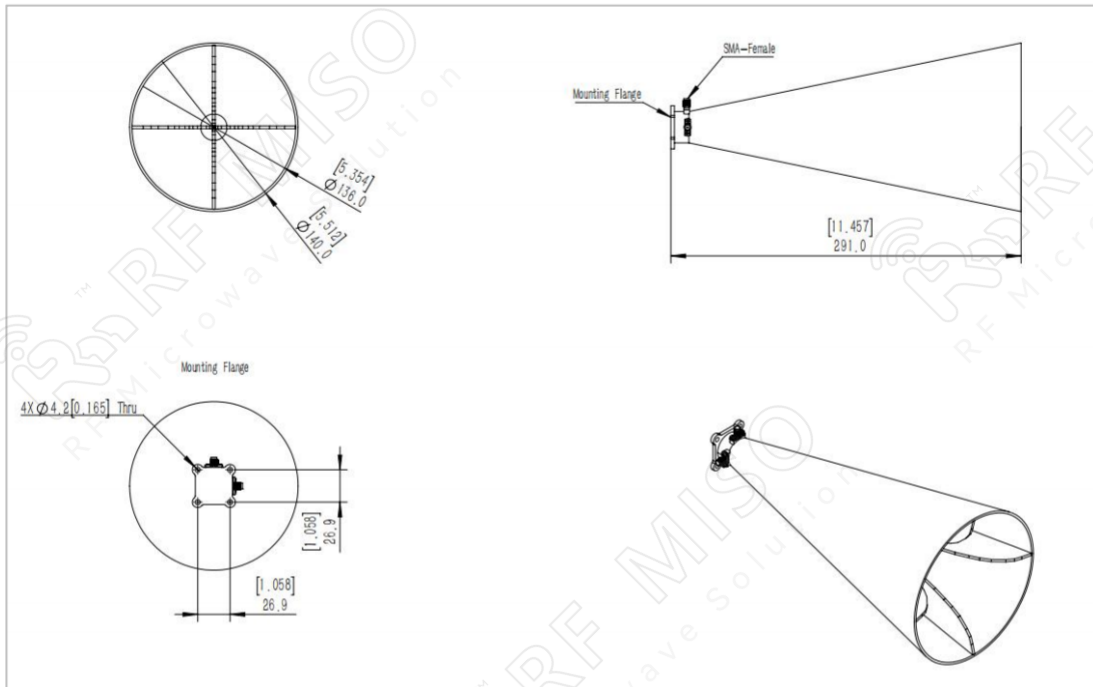
Conical Dual Horn Antenna
12 dBi Typ. Gain, 2-18GHz Frequency Range

Conical Dual Horn Antenna Data Sheet

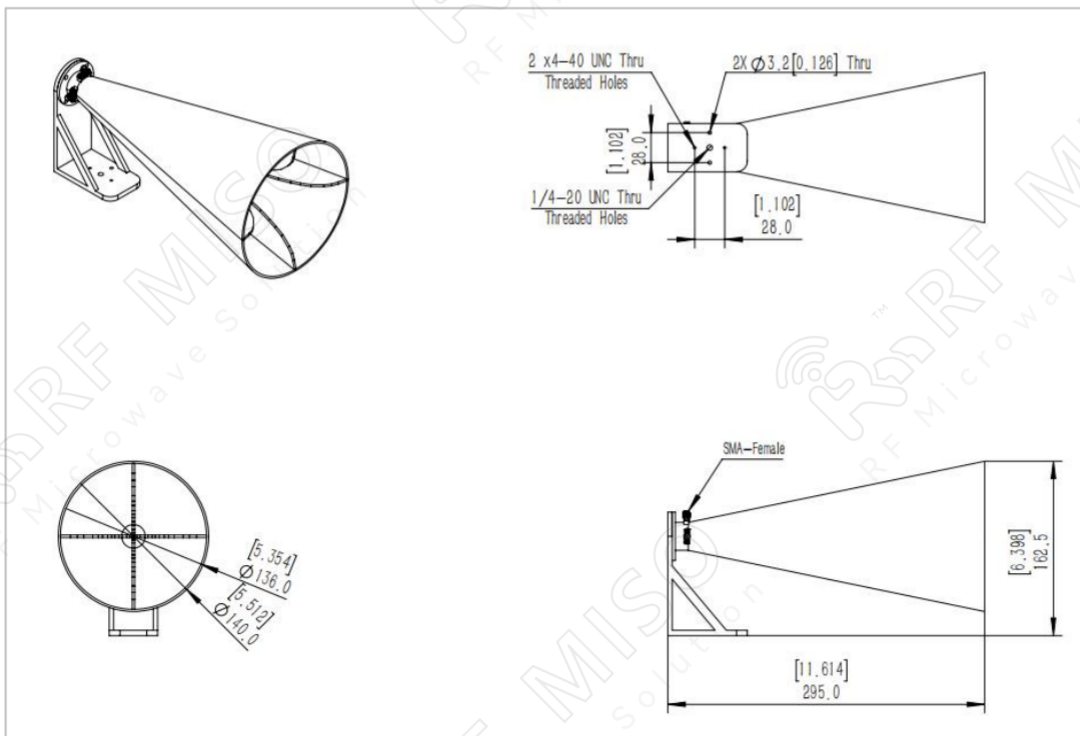
RM-CDPHA218-12

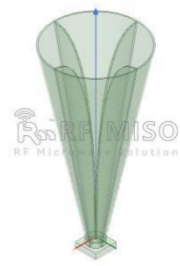
Mechanical Drawing

N-type connector is available, please contact RF Miso.



Mechanical Drawing with L-type Mounting Bracket (P/N: RM-CDPHA218-12L)





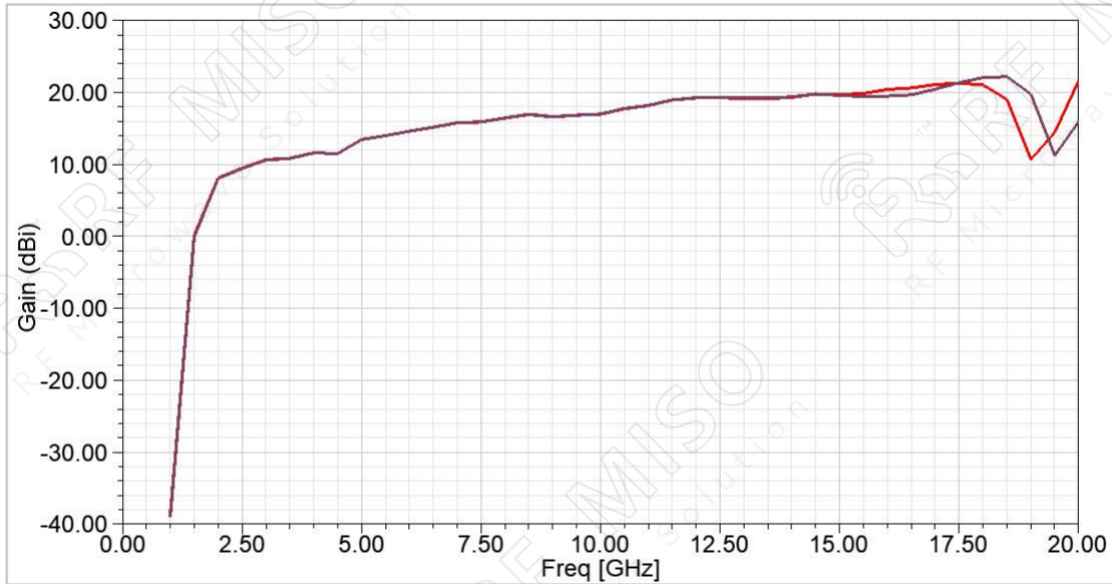
Conical Dual Horn Antenna
12 dBi Typ. Gain, 2-18GHz Frequency Range

Conical Dual Horn Antenna Data Sheet

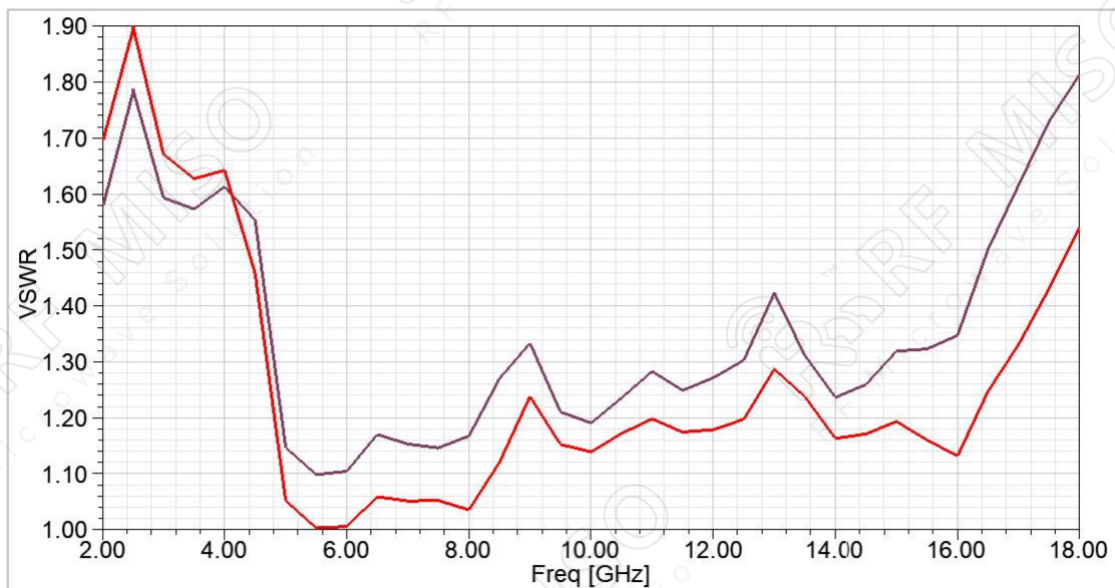
RM-CDPHA218-12

Simulation Results

Gain



VSWR



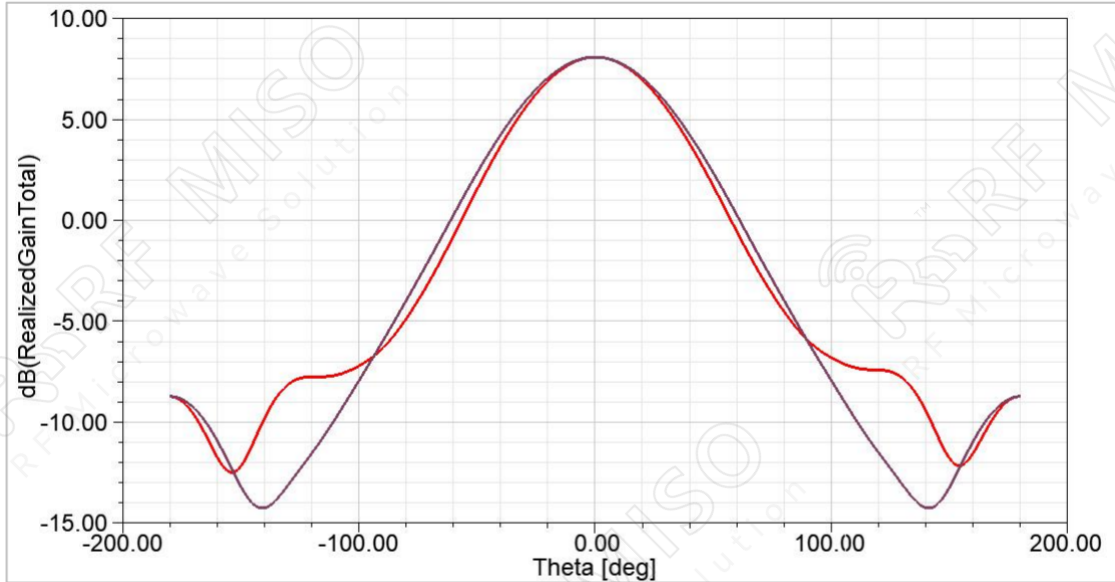


Conical Dual Horn Antenna
12 dBi Typ. Gain, 2-18GHz Frequency Range

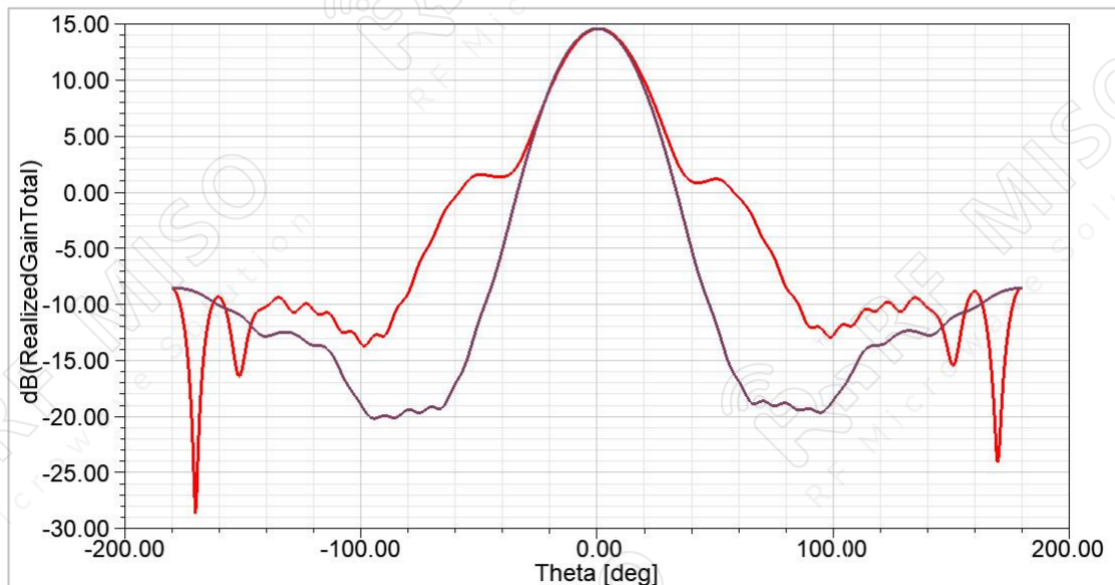
Conical Dual Horn Antenna Data Sheet

RM-CDPHA218-12

Gain Pattern



2 GHz



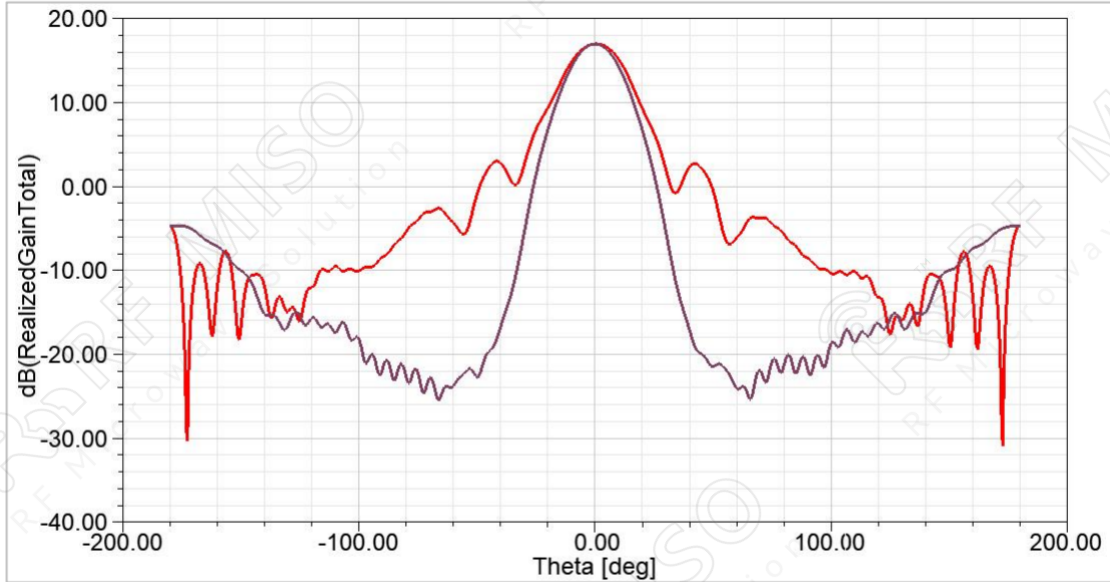
6 GHz



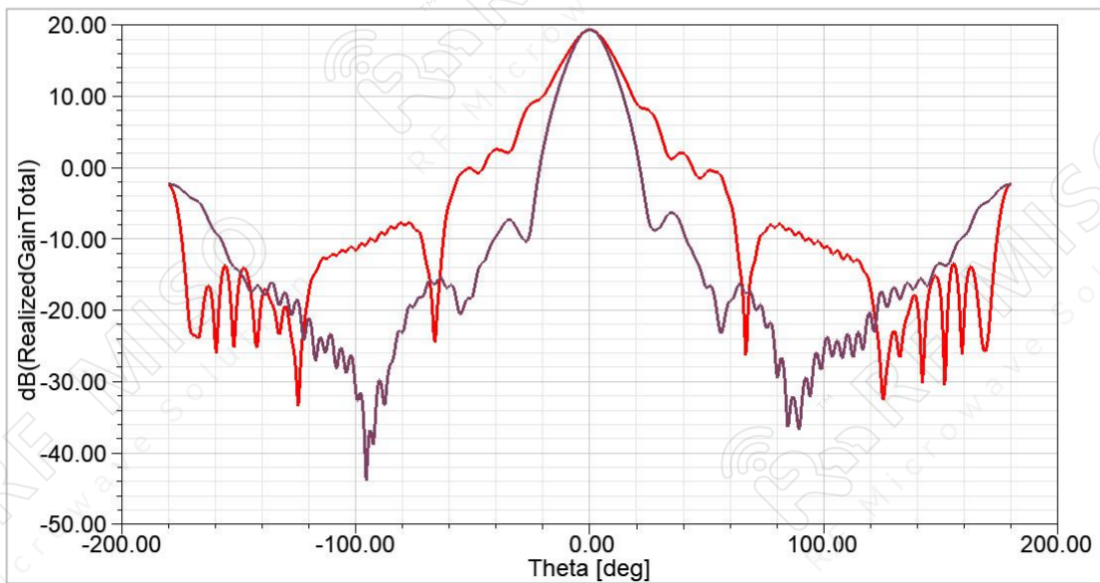
Conical Dual Horn Antenna
12 dBi Typ. Gain, 2-18GHz Frequency Range

Conical Dual Horn Antenna Data Sheet

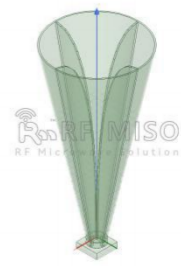
RM-CDPHA218-12



10 GHz



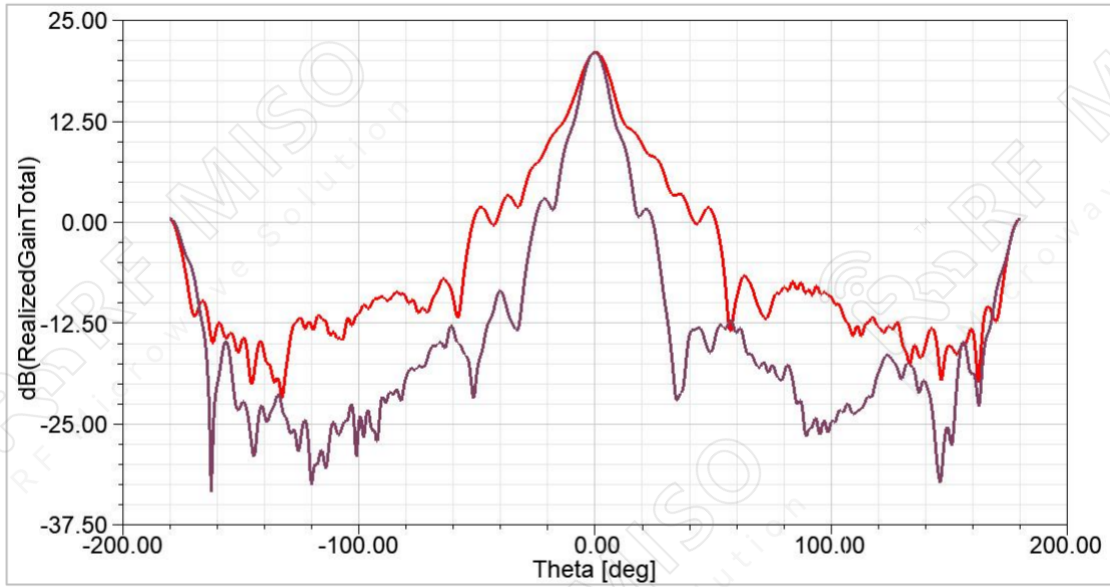
14 GHz



Conical Dual Horn Antenna
12 dBi Typ. Gain, 2-18GHz Frequency Range

Conical Dual Horn Antenna Data Sheet

RM-CDPHA218-12



18 GHz