



*Conical Dual Polarized Horn Antenna  
21 dBi Typ. Gain, 32-38 GHz Frequency Range*

## Conical Dual Polarized Horn Antenna Data Sheet

**RM-CDPHA3238-21**

### Features

- Coaxial Adapter for RF Inputs
- Low VSWR
- High Isolation
- Broadband Operation
- Dual Linear Polarized
- Small Size

### Descriptions

RF MISO's **Model RM-CDPHA3238-21** is a dual polarized horn antenna that operates from 32 to 38 GHz, The antenna offers 21dBi typical gain. The antenna VSWR is typical 1.2:1. The antenna RF ports are 2.92mm-F connector. The antenna can be widely used in EMI detection, orientation, reconnaissance, antenna gain and pattern measurement and other application fields.

### Specifications

RM-CDPHA3238-21		
Parameters	Typical	Units
Frequency Range	32-38	GHz
Gain	21 Typ.	dBi
VSWR	1.2 Typ.	
Polarization	Dual Linear	
Cross Pol. Isolation	60 Typ.	dB
Port Isolation	60 Typ.	dB
Connector	2.92mm-F	
Material	Al	
Finishing	Paint	
Size	109.5*43.1*43.1(L*W*H)	mm
Weight	0.046	kg

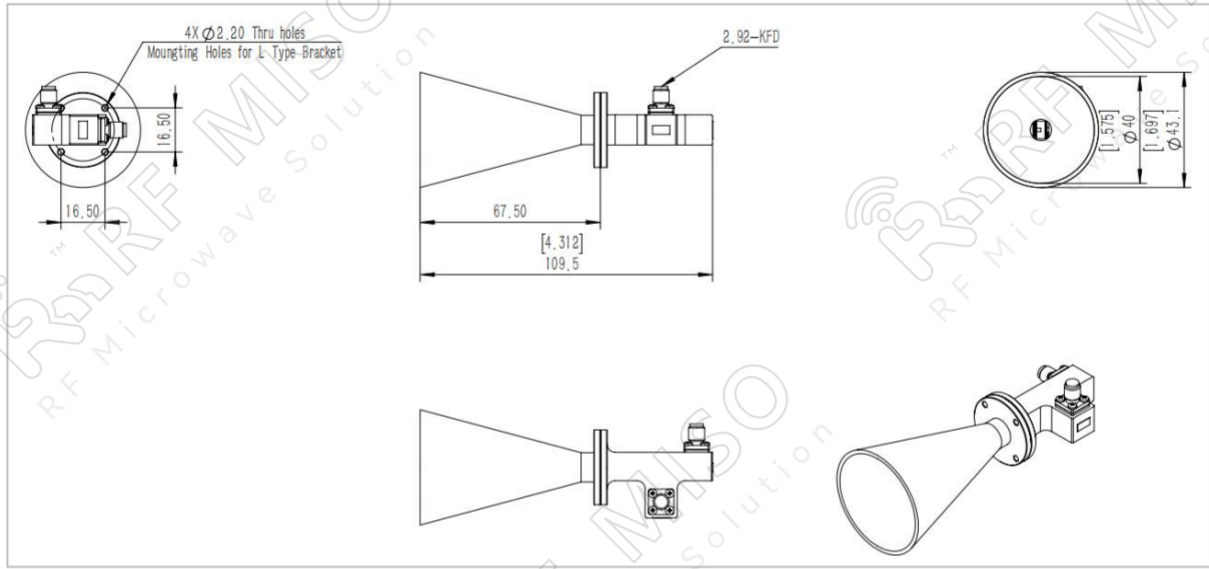


Conical Dual Polarized Horn Antenna  
21 dBi Typ. Gain, 32-38 GHz Frequency Range

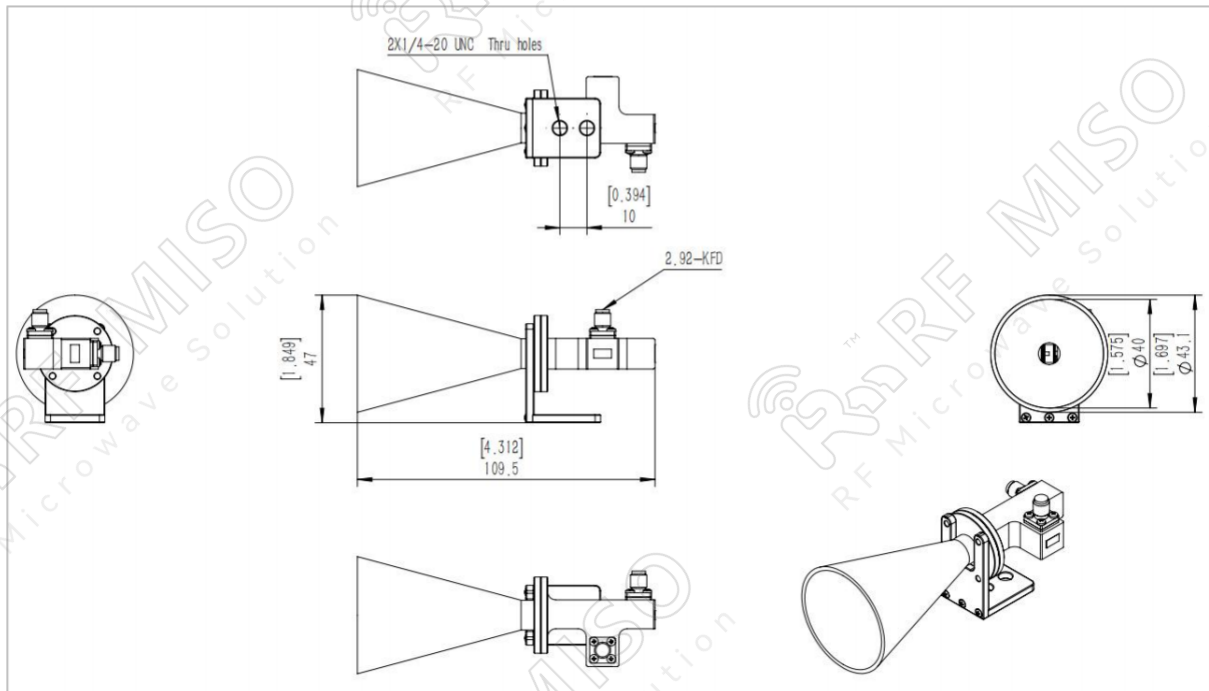
**Conical Dual Polarized Horn Antenna Data Sheet**

**RM-CDPHA3238-21**

**Outline Drawing**



**Outline Drawing with Mounting Bracket**



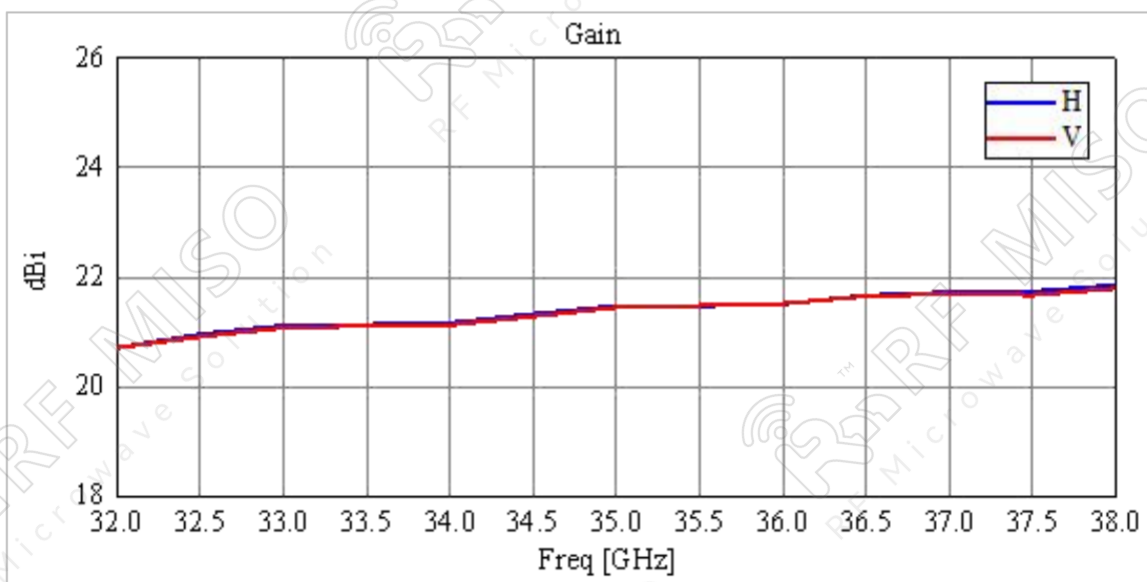
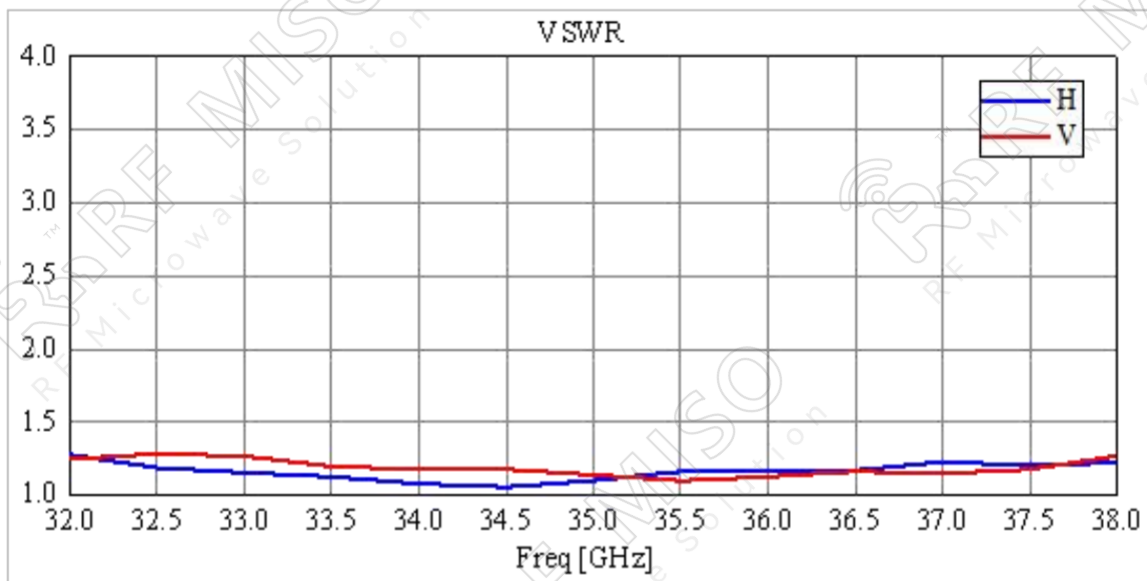


*Conical Dual Polarized Horn Antenna  
21 dBi Typ. Gain, 32-38 GHz Frequency Range*

**Conical Dual Polarized Horn Antenna Data Sheet**

**RM-CDPHA3238-21**

**Testing Data**

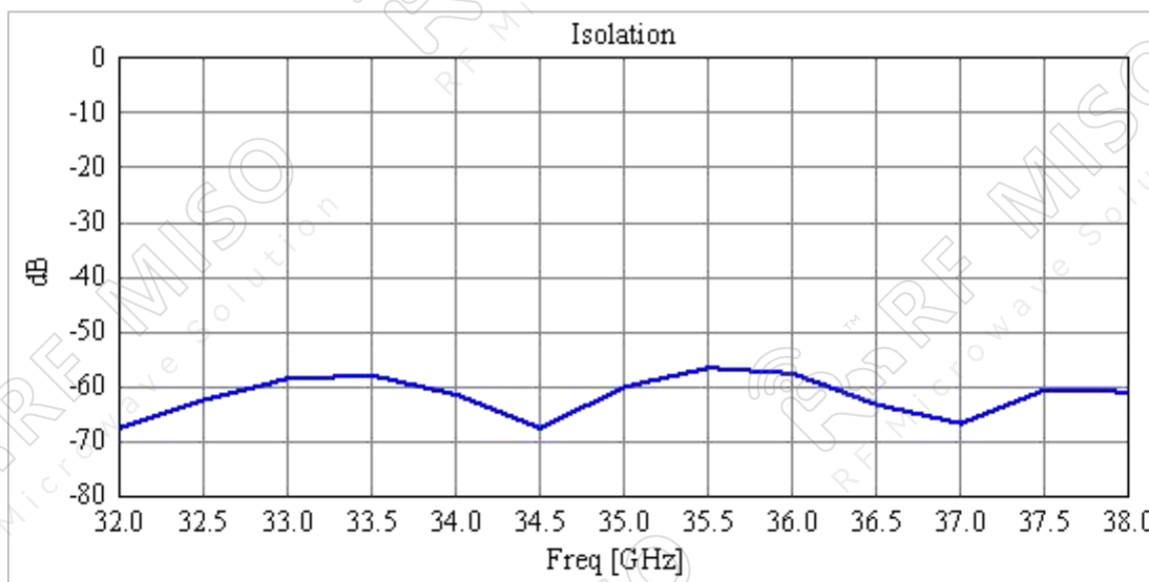
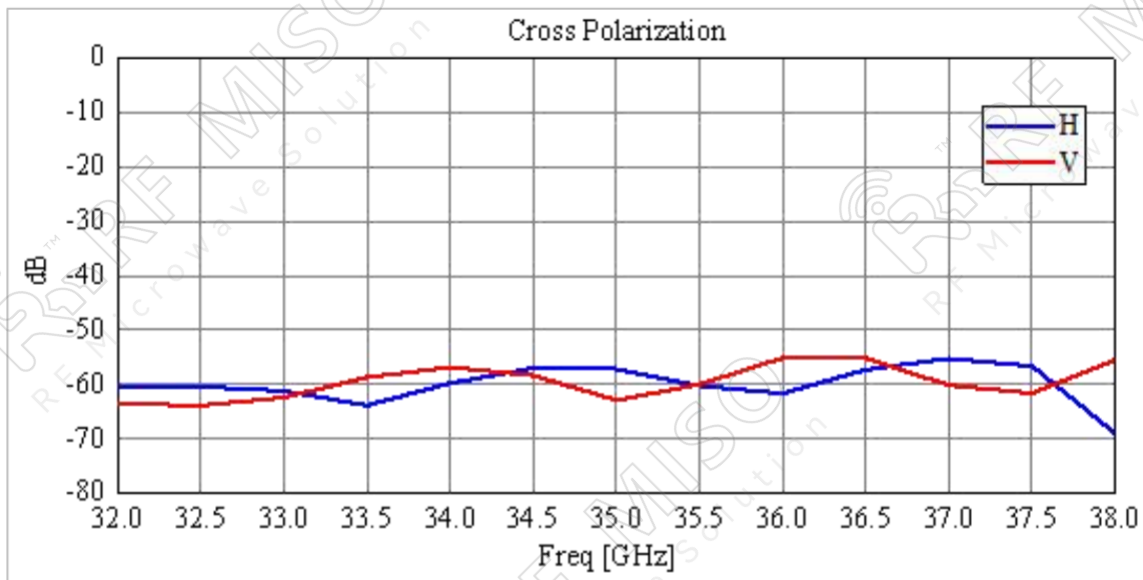




*Conical Dual Polarized Horn Antenna  
21 dBi Typ. Gain, 32-38 GHz Frequency Range*

**Conical Dual Polarized Horn Antenna Data Sheet**

**RM-CDPHA3238-21**





Conical Dual Polarized Horn Antenna  
21 dBi Typ. Gain, 32-38 GHz Frequency Range

**Conical Dual Polarized Horn Antenna Data Sheet**

**RM-CDPHA3238-21**

**Gain Patterns**

