



*Conical Dual Polarized Horn Antenna
17 dBi Typ. Gain, 6-18 GHz Frequency Range*

Conical Dual Polarized Horn Antenna Data Sheet

RM-CDPHA618-17

Features

- Coaxial Adapter for RF Inputs
- Low VSWR
- Quad Ridges
- Broadband Operation
- Dual Linear Polarized

Descriptions

RF MISO's **Model RM-CDPHA618-17** is a dual polarized horn antenna that operates from 6 to 18 GHz, The antenna offers 17dBi typical gain. The antenna VSWR is typical 1.5:1. The antenna RF ports are SMA-F connector. The antenna can be widely used in EMI detection, orientation, reconnaissance, antenna gain and pattern measurement and other application fields.

Specifaions

RM-CDPHA618-17		
Parameters	Typical	Units
Frequency Range	6-18	GHz
Gain	17 Typ.	dBi
VSWR	1.5 Typ.	
Polarization	Dual Linear	
Cross Pol. Isolation	30 Typ.	dB
Port Isolation	38 Typ.	dB
Connector	SMA-F	
Material	Al	
Finishing	Paint	
Size	237.2*132*132(L*W*H)	mm
Weight	0.334	kg

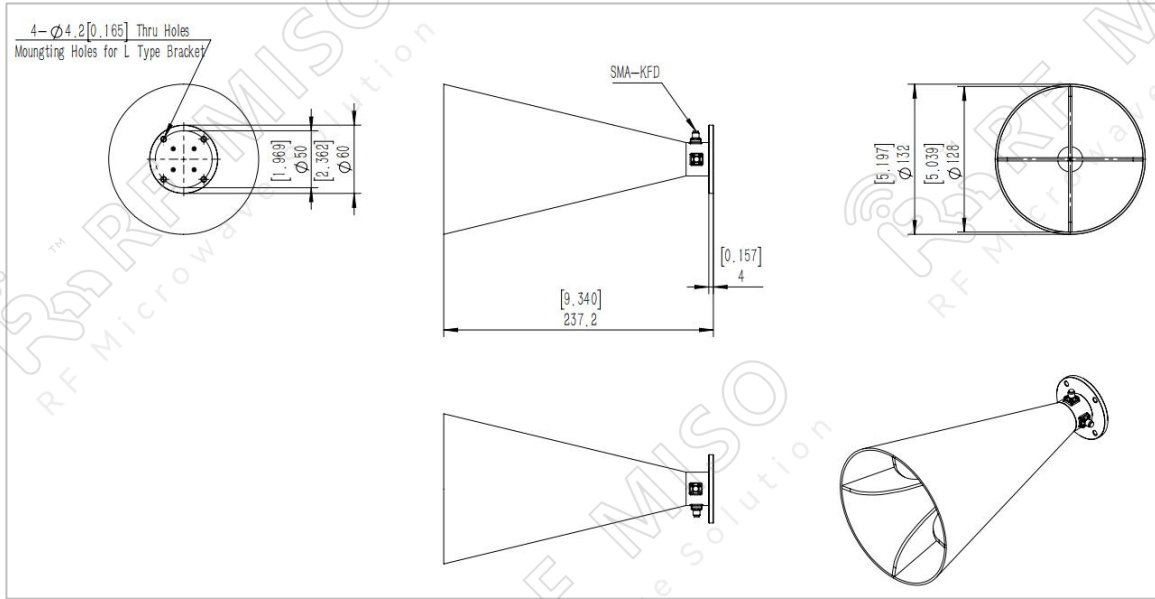
Conical Dual Polarized Horn Antenna
17 dBi Typ. Gain, 6-18 GHz Frequency Range



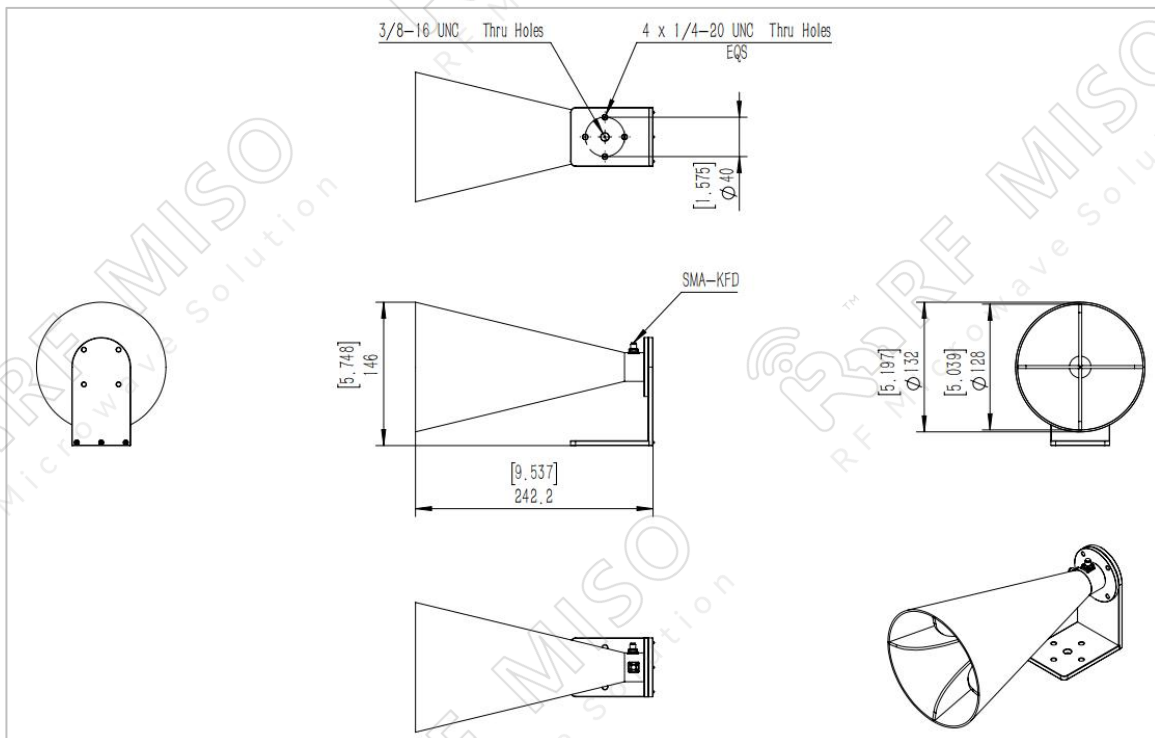
Conical Dual Polarized Horn Antenna Data Sheet

RM-CDPHA618-17

Outline Drawing



Outline Drawing with Mounting Bracket



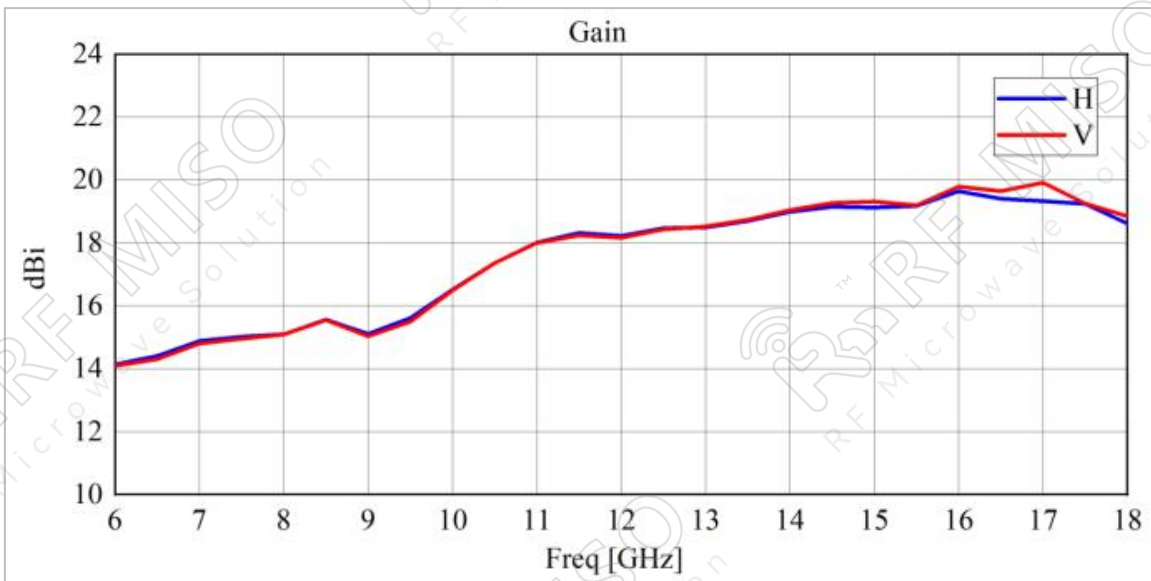
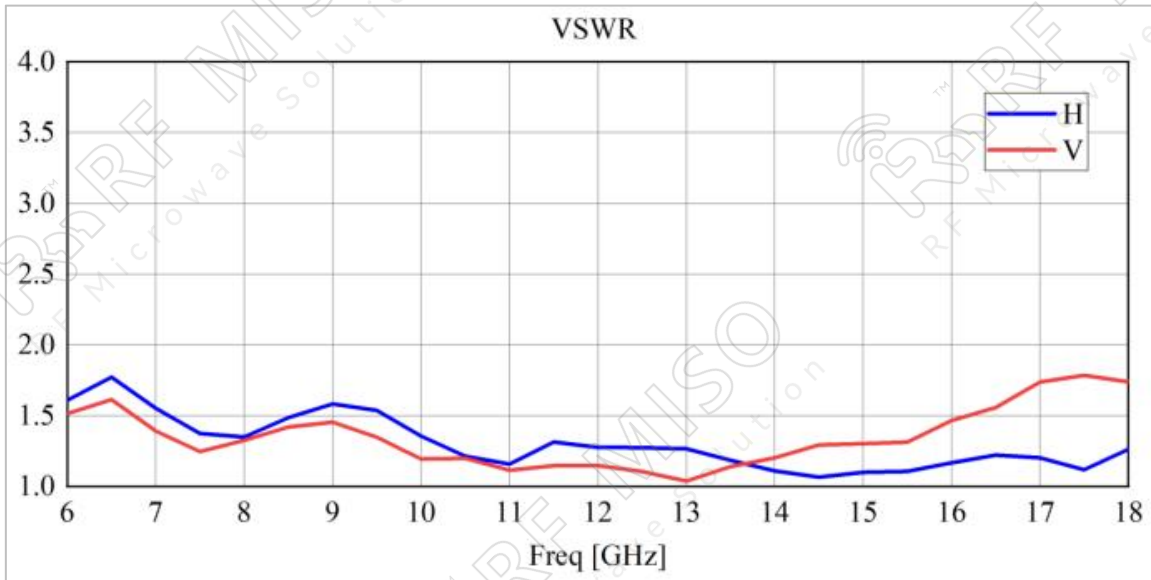


Conical Dual Polarized Horn Antenna
17 dBi Typ. Gain, 6-18 GHz Frequency Range

Conical Dual Polarized Horn Antenna Data Sheet

RM-CDPHA618-17

Testing Data

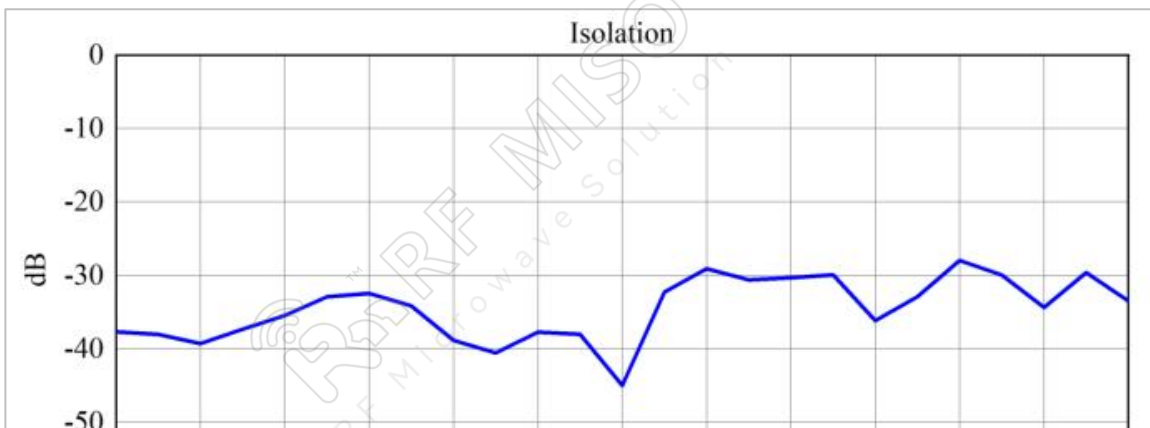
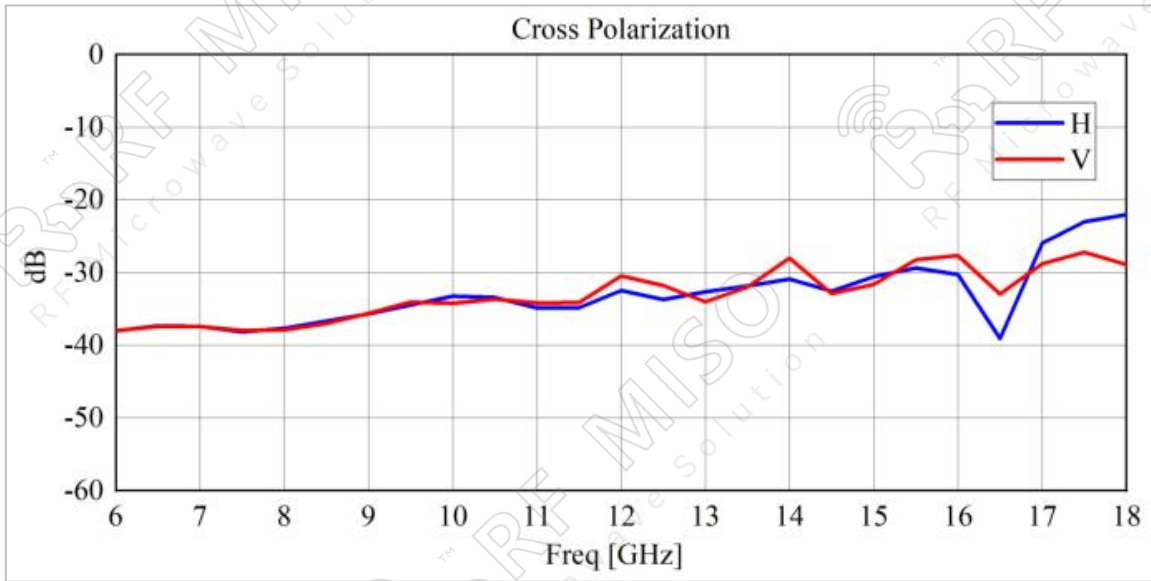




Conical Dual Polarized Horn Antenna
17 dBi Typ. Gain, 6-18 GHz Frequency Range

Conical Dual Polarized Horn Antenna Data Sheet

RM-CDPHA618-17



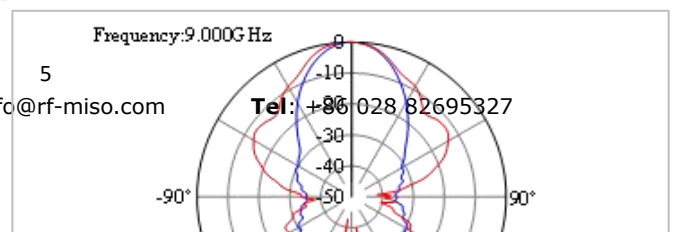
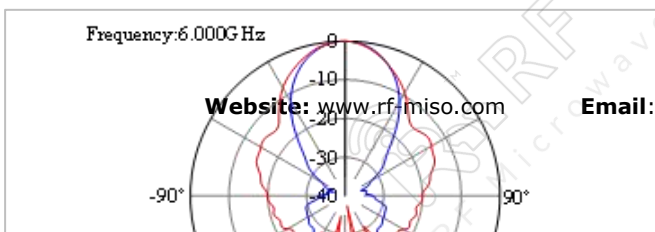
Conical Dual Polarized Horn Antenna
17 dBi Typ. Gain, 6-18 GHz Frequency Range



Conical Dual Polarized Horn Antenna Data Sheet

RM-CDPHA618-17

Gain Patterns





Conical Dual Polarized Horn Antenna
17 dBi Typ. Gain, 6-18 GHz Frequency Range

Conical Dual Polarized Horn Antenna Data Sheet

RM-CDPHA618-17

