

Conical Horn Antenna
220-325 GHz Frequency Range, 15 dBi Typ. Gain

Conical Horn Antenna Data Sheet

RM-CHA3-15

Features

- Low VSWR
- Small Size
- Broadband Operation
- Light weight

Descriptions

RF MISO's **Model RM-CHA3-15** is a conical horn antenna that operates from 220 to 325GHz, The antenna offers 15 dBi typical gain. The antenna VSWR is 1.1 max. It can be widely used in EMI detection, orientation, reconnaissance, antenna gain and pattern measurement and other application fields.

Specifications

RM-CHA3-15		
Parameters	Typical	Units
Frequency Range	220-325	GHz
Gain	15 Typ.	dBi
VSWR	≤1.1	
3db Beam-width	30	dB
Waveguide	WR3	
Finishing	Gold plated	
Size (L*W*H)	19.1*12*19.1(±5)	mm
Weight	0.009	kg
Flange	APF3	
Material	Cu	

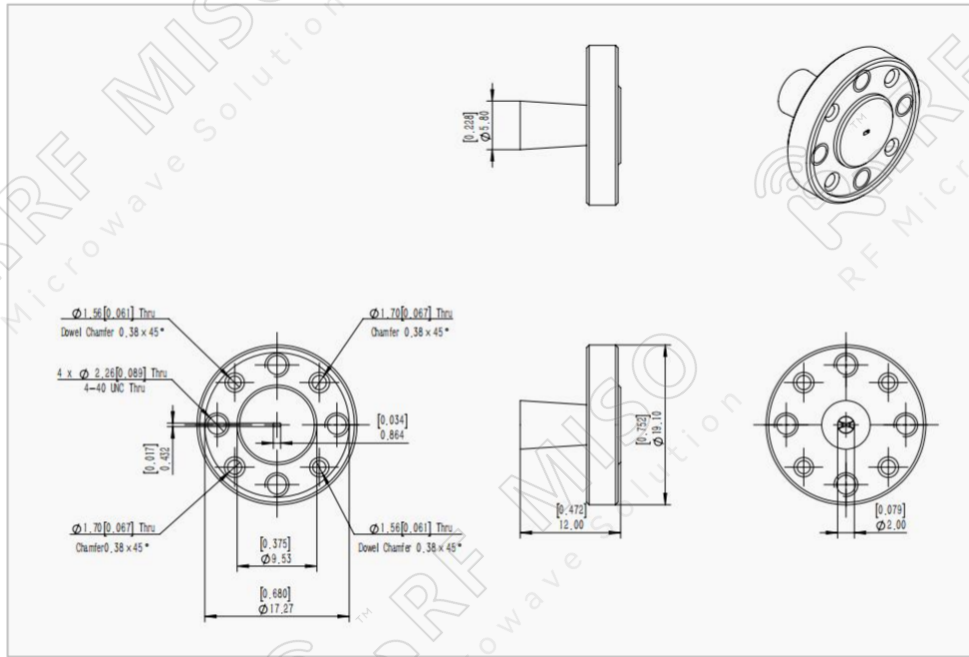


Conical Horn Antenna
220-325 GHz Frequency Range, 15 dBi Typ. Gain

Conical Horn Antenna Data Sheet

RM-CHA3-15

Outline Drawing



Simulated Results

VSWR

