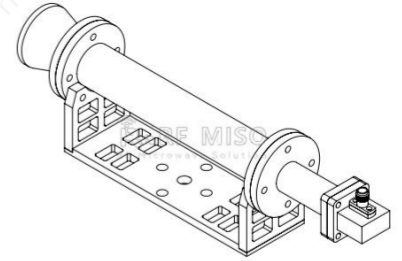


*Circularly Polarized Horn Antenna 15dBi Typ. Gain,
18-26.5 GHz Frequency Range*



Circularly Polarized Horn Antenna Data Sheet

RM-CPHA1826-15

Features

- Low VSWR
- High Power handling
- RHCP
- Military Airborne Applications

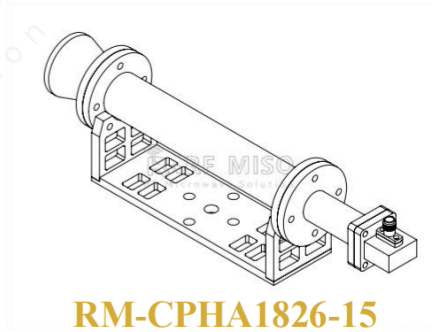
Descriptions

RF MISO' s Model RM-CPHA1826-15 is RHCP circularly polarized horn antenna that operates from 18 to 26.5GHz. The antenna offers a typical gain of 15 dBi and low VSWR 1.1 Typ. The antenna is equipped with a circular polarizer, a circular waveguide to circular waveguide Converter and a conical horn antenna. Antennas are widely used in antenna far-field testing, radio frequency radiation testing and other scenarios.

Specifications

RM-CPHA1826-15		
Parameters	Specification	Unit
Frequency Range	18-26.5	GHz
Gain	15 Typ.	dBi
VSWR	1.1 Typ.	
AR	<1.5	dB
Cross Polarization	25 Typ.	dB
3dB Beamwidth	30	
Polarization	RHCP	
Interface	SMA-Female	
Material,Finishing	Al, Paint	
Average Power	50	W
Peak Power	100	W
Size (L*W*H)	211.84*40*58.73 (±5)	mm
Weight	0.199	kg

*Circularly Polarized Horn Antenna 15dBi Typ. Gain,
18-26.5 GHz Frequency Range*

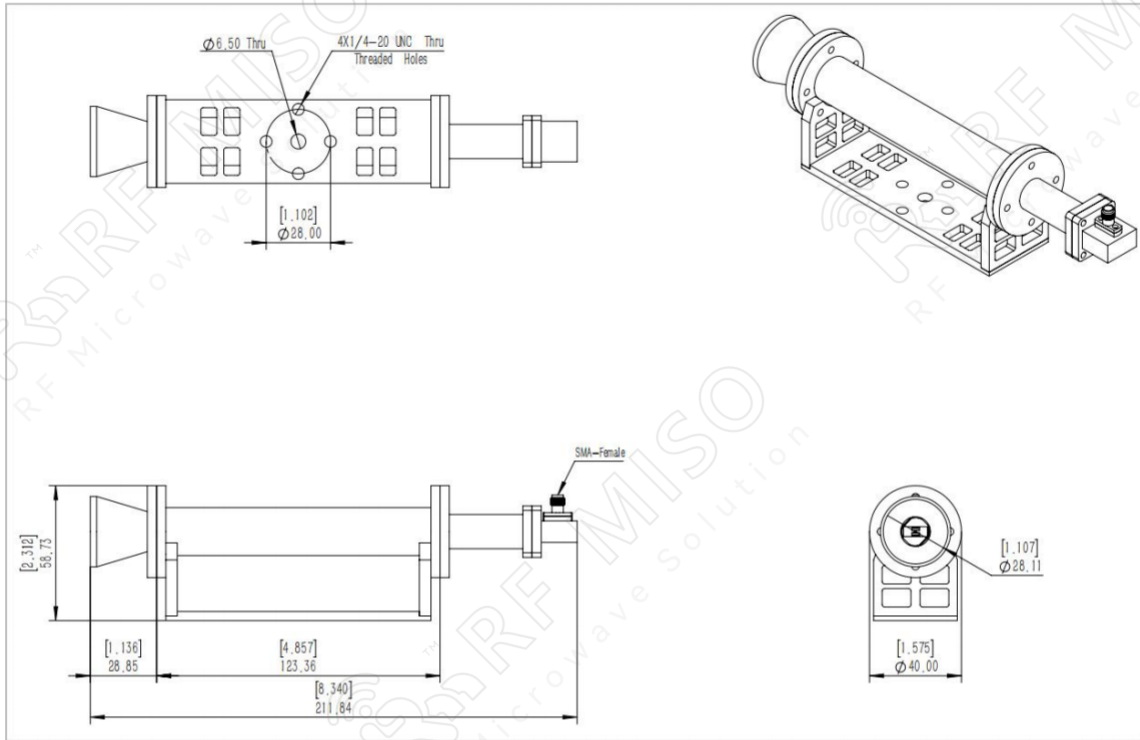


RM-CPHA1826-15

Circularly Polarized Horn Antenna Data Sheet

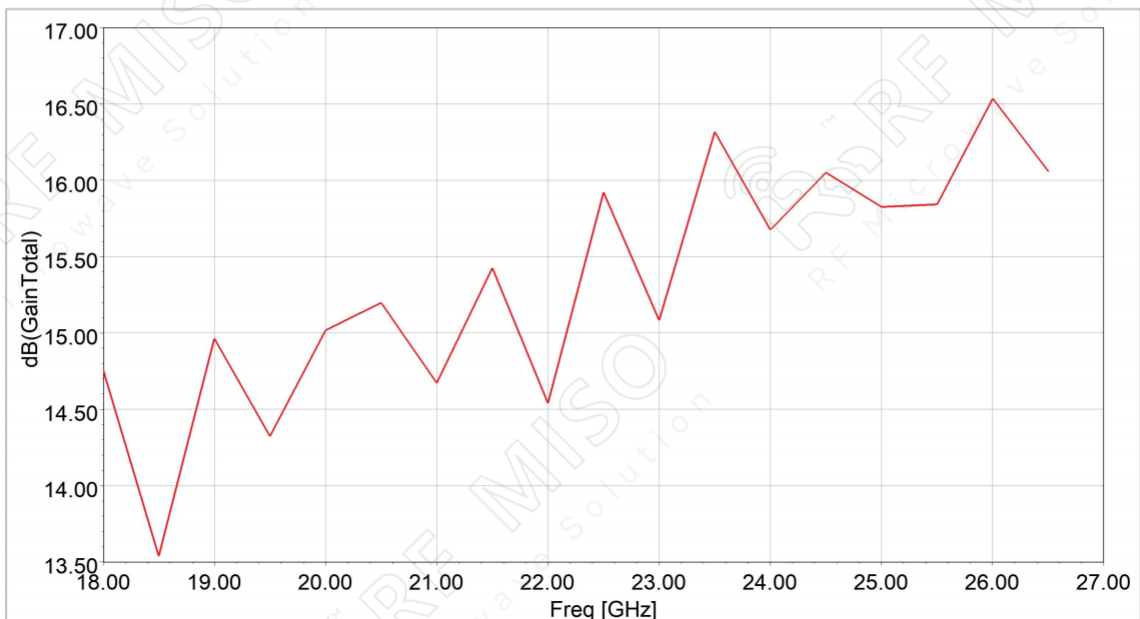
Outline Drawing

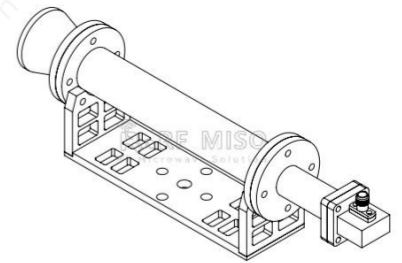
N type connector is available, please contact RF Miso.



Simulation Data

Gain



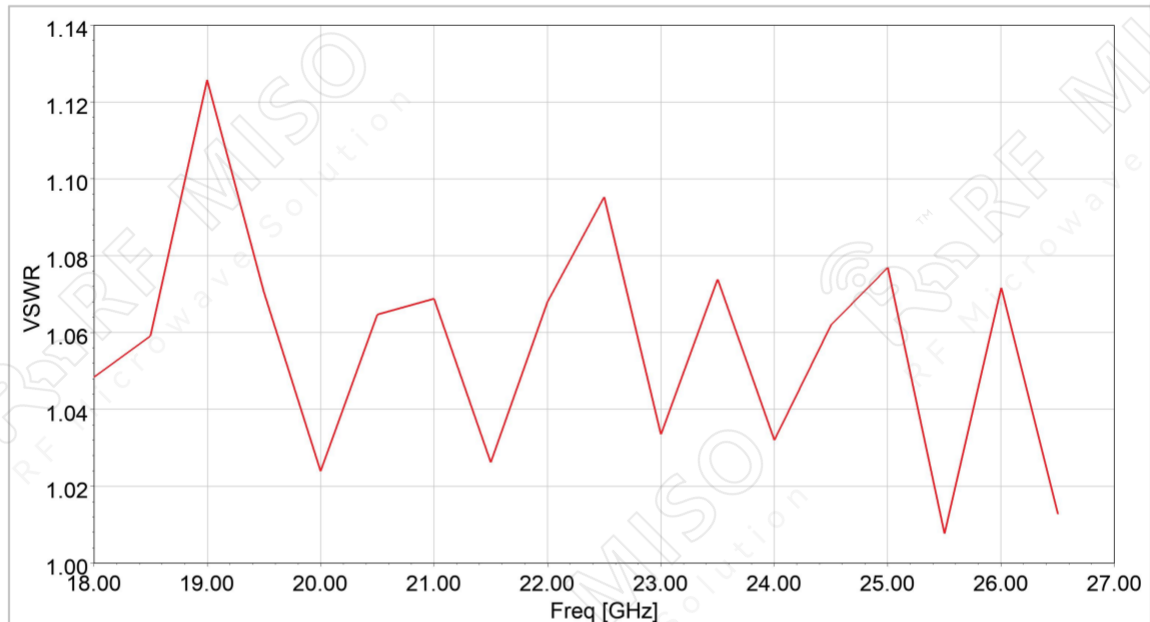


*Circularly Polarized Horn Antenna 15dBi Typ. Gain,
18-26.5 GHz Frequency Range*

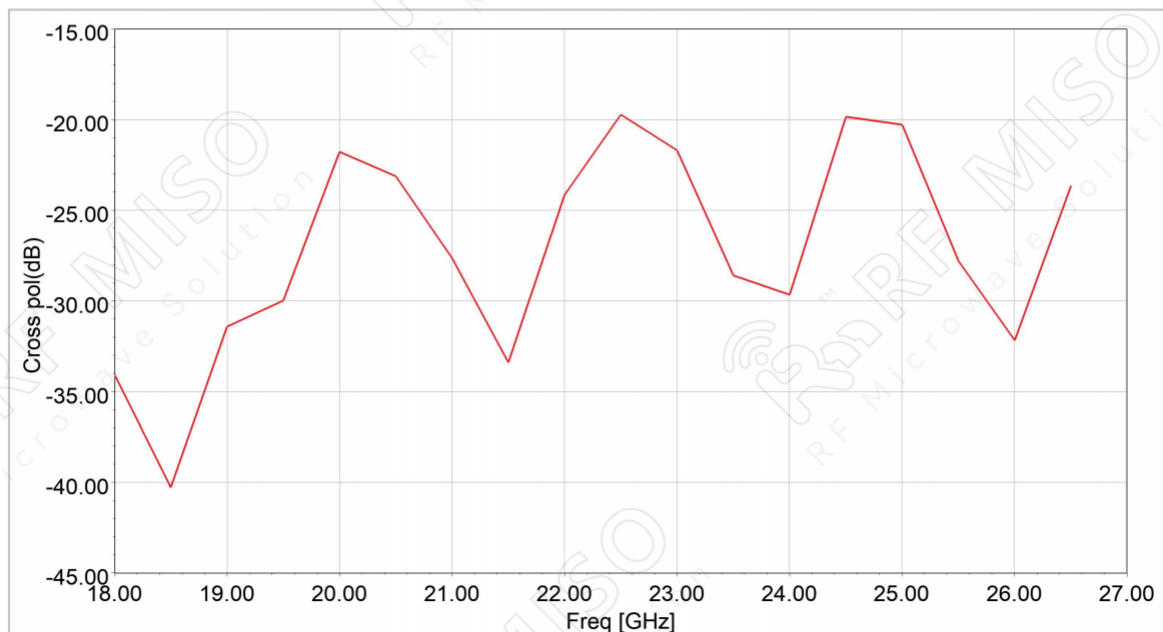
Circularly Polarized Horn Antenna Data Sheet

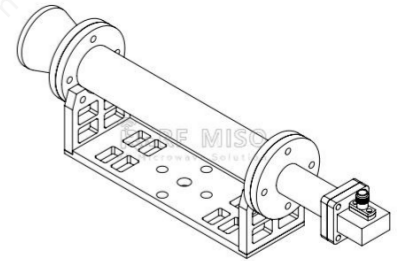
RM-CPHA1826-15

VSWR



Cross Polarization



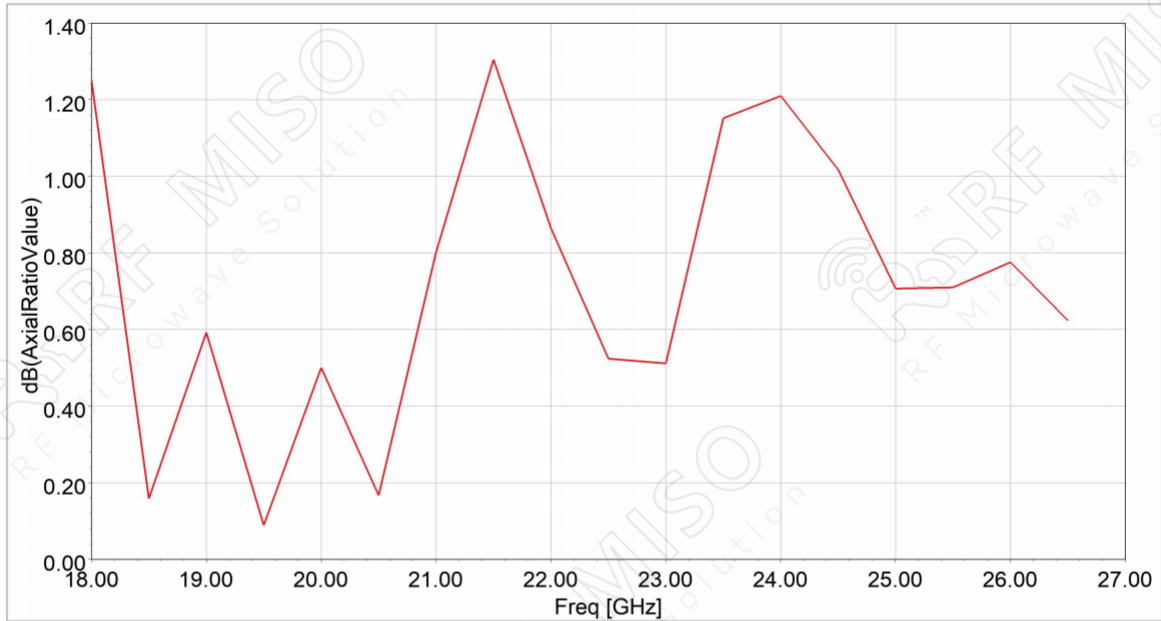


Circularly Polarized Horn Antenna 15dBi Typ. Gain,
18-26.5 GHz Frequency Range

Circularly Polarized Horn Antenna Data Sheet

RM-CPHA1826-15

AR



3dB Beamwidth

