

*Circularly Polarized Horn Antenna 18dBi Typ. Gain,
22-32 GHz Frequency Range*

Circularly Polarized Horn Antenna Data Sheet

RM-CPHA2232-18

Features

- Low VSWR
- High Power handling
- Symmetrical Plane Beamwidth
- RHCP or LHCP
- Military Airborne Applications

Descriptions

RF MISO' s Model RM-CPHA2232-18 is RHCP or LHCP circularly polarized horn antenna that operates from 22 to 32 GHz. The antenna offers a typical gain of 18 dB and low VSWR 1.5 Typ. The antenna is equipped with a circular polarizer, a circular wave-guide to circular wave-guide Converter and a conical horn antenna. The gain of the antenna is uniform in the entire frequency band, the pattern is symmetrical, and the working efficiency is high. Antennas are widely used in antenna far-field testing, radio frequency radiation testing and other scenarios.

Specifications

RM-CPHA2332-18		
Parameters	Specification	Unit
Frequency Range	22-32	GHz
Gain	18 Typ.	dBi
VSWR	1.5 Typ.	
AR	0.5 Typ	dB
Polarization	RHCP or LHCP	
Interface	2.92-Female	
Material	Al	
Finishing	Paint	
Average Power	20	W
Peak Power	40	W
Size (L*W*H)	204.32*Φ38.93 (±5)	mm
Weight	0.147	kg

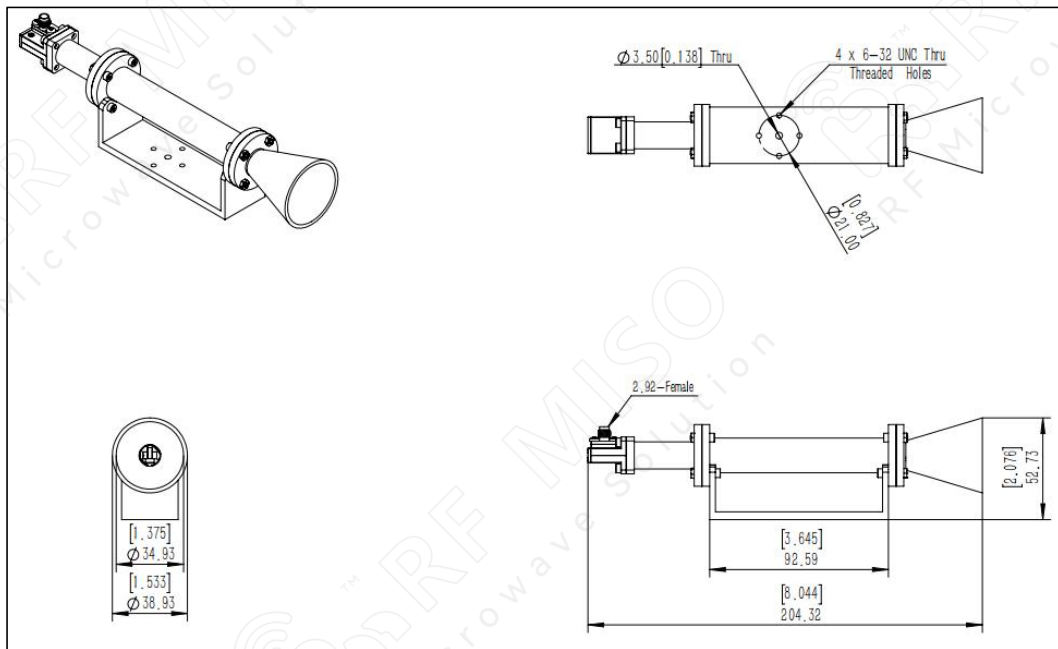
*Circularly Polarized Horn Antenna 18dBi Typ. Gain,
22-32 GHz Frequency Range*

Circularly Polarized Horn Antenna Data Sheet

RM-CPHA2232-18

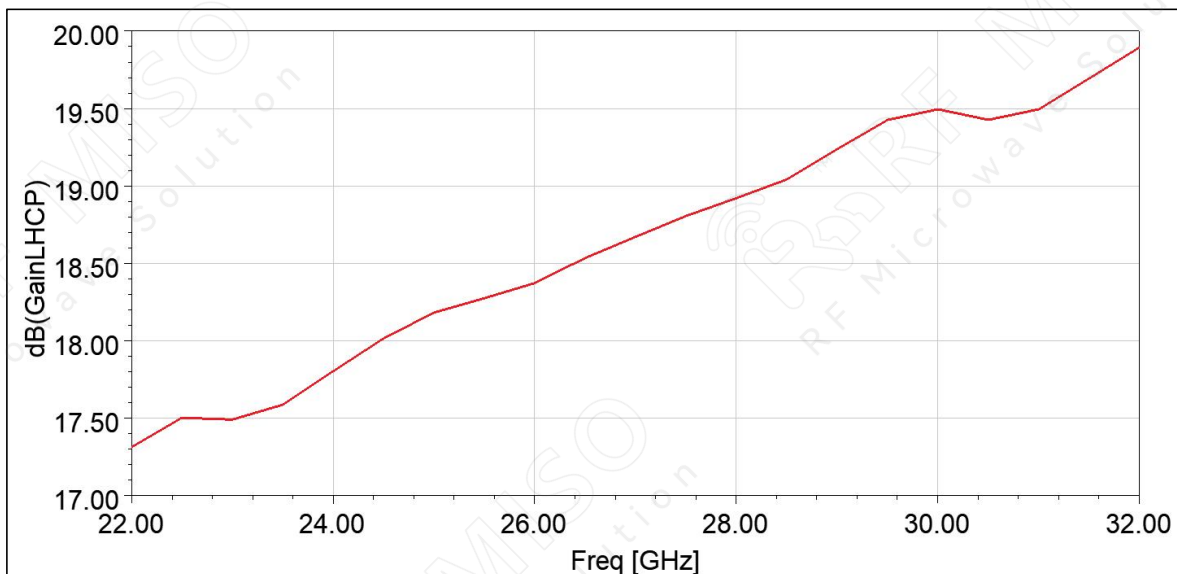
Outline Drawing

N type and SMA type connectors are available, please contact RF Miso.



Simulation Data

Gain

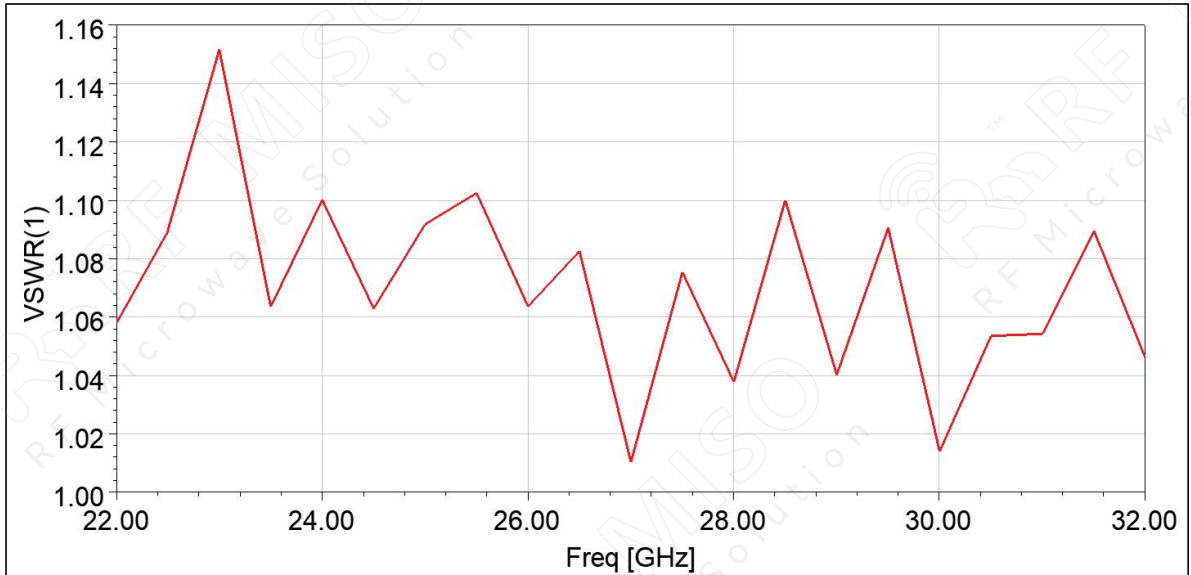


Circularly Polarized Horn Antenna 18dBi Typ. Gain,
22-32 GHz Frequency Range

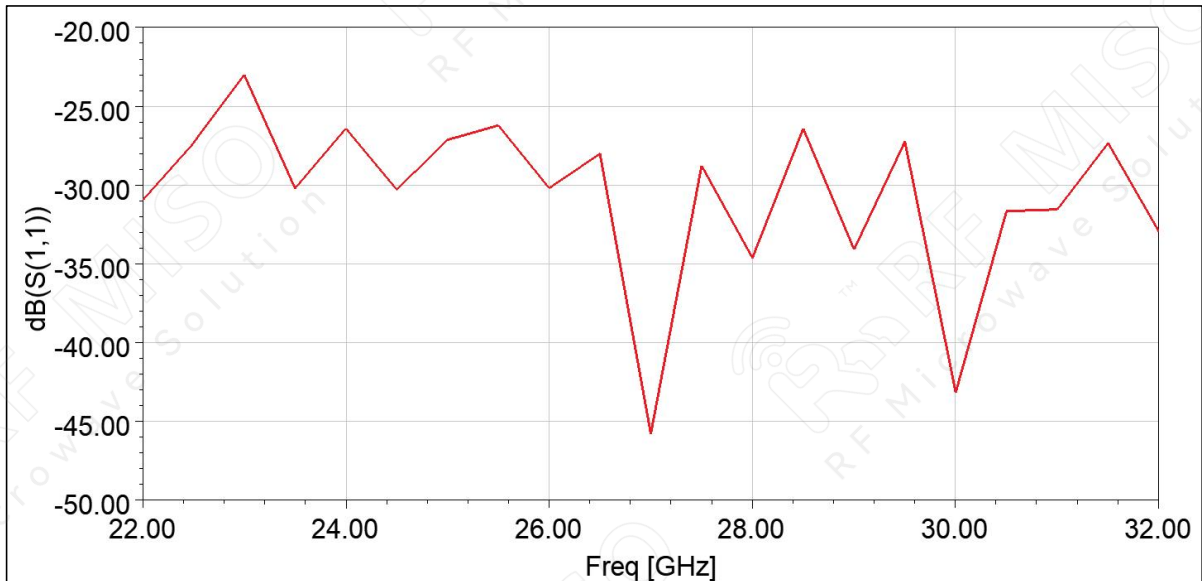
Circularly Polarized Horn Antenna Data Sheet

RM-CPHA2232-18

VSWR



S11

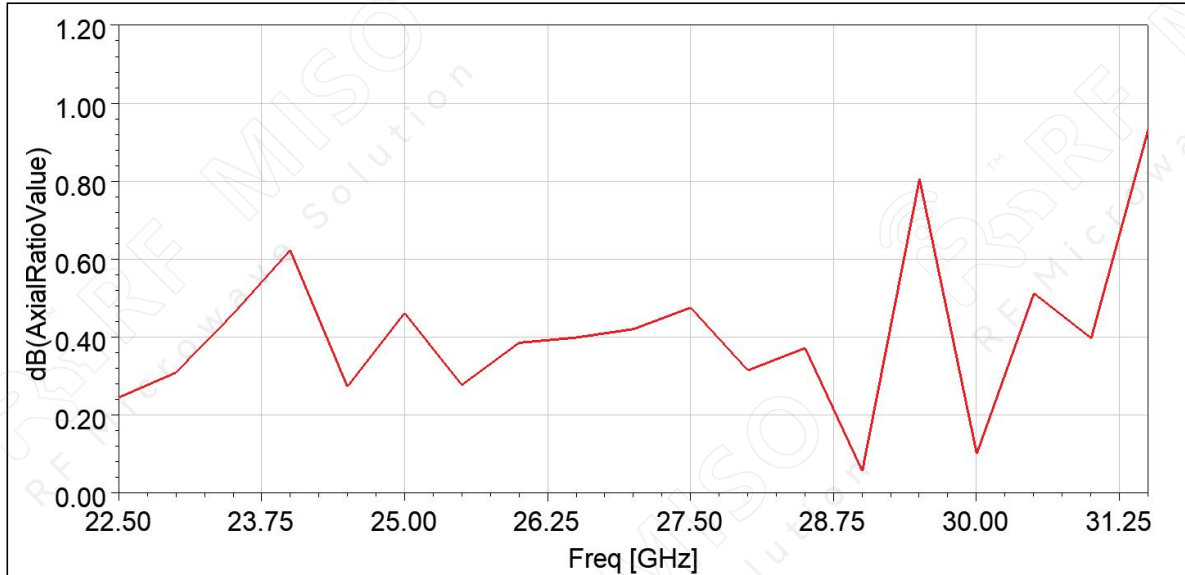


*Circularly Polarized Horn Antenna 18dBi Typ. Gain,
22-32 GHz Frequency Range*

Circularly Polarized Horn Antenna Data Sheet

RM-CPHA2232-18

AR



Gain Plot

