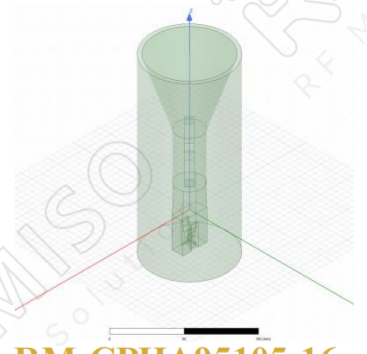


*Circular Polarization Horn Antenna
16 dBi Typ. Gain, 9.5-10.5 GHz Frequency Range*



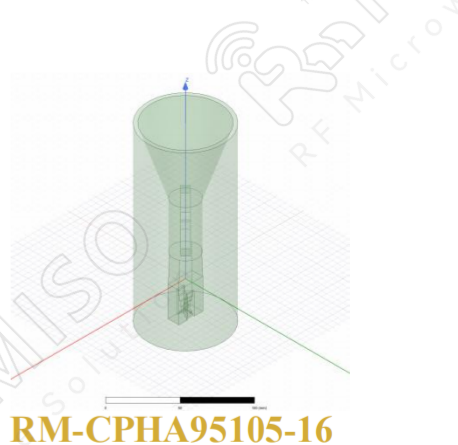
Circular Polarization Horn Antenna Data Sheet

RM-CPHA95105-16

Specificaions

RM-CPHA95105-16		
Parameters	Typical	Units
Frequency Range	9.5-10.5	GHz
Gain	16 Typ.	dBi
VSWR	1.2:1 MAX	
Polarization	RHCP	
Axial Ratio	1Typ.	dB
Material	Al	
Finishing	Paint Black	
Size	$\Phi 68.4 \times 173$	mm
Weight	0.275	Kg

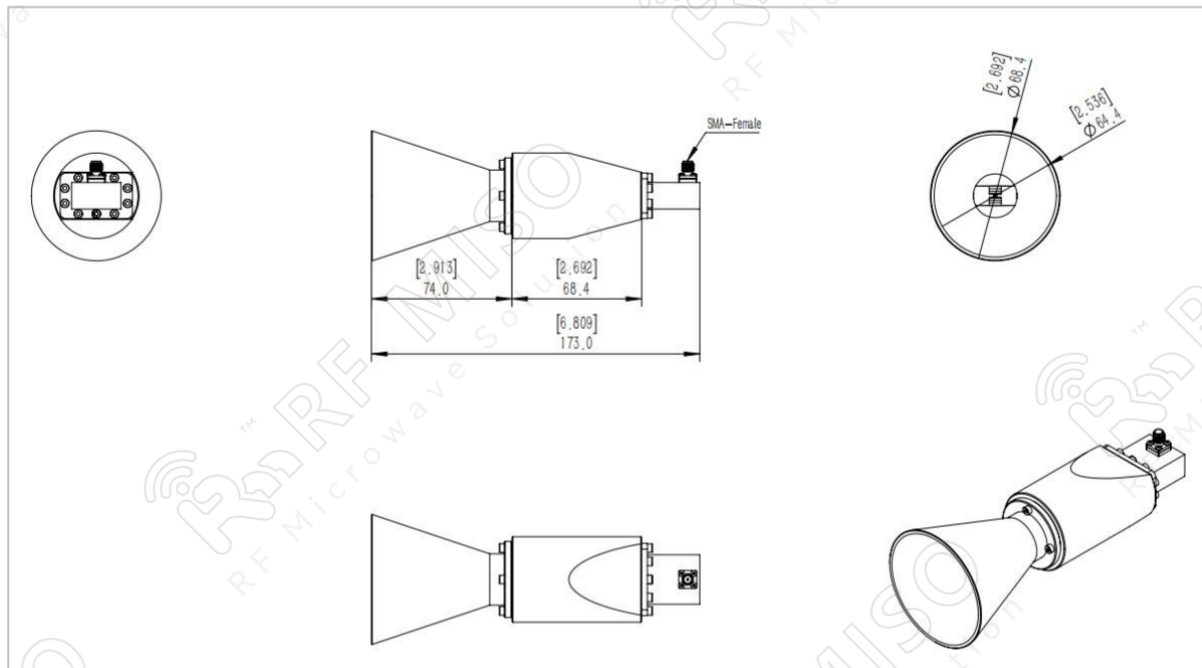
Circular Polarization Horn Antenna
16 dBi Typ. Gain, 9.5-10.5 GHz Frequency Range



Circular Polarization Horn Antenna Data Sheet

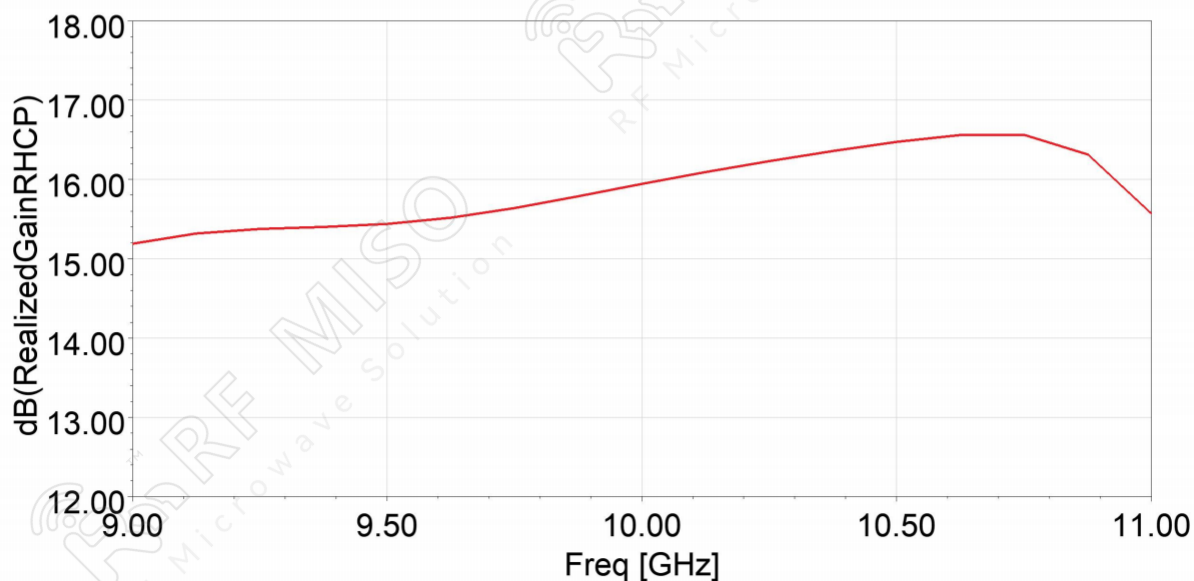
RM-CPHA95105-16

Outline Drawing

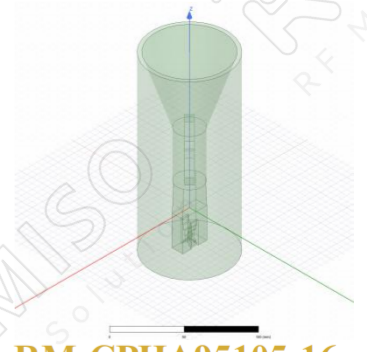


Simulation Data

Gain

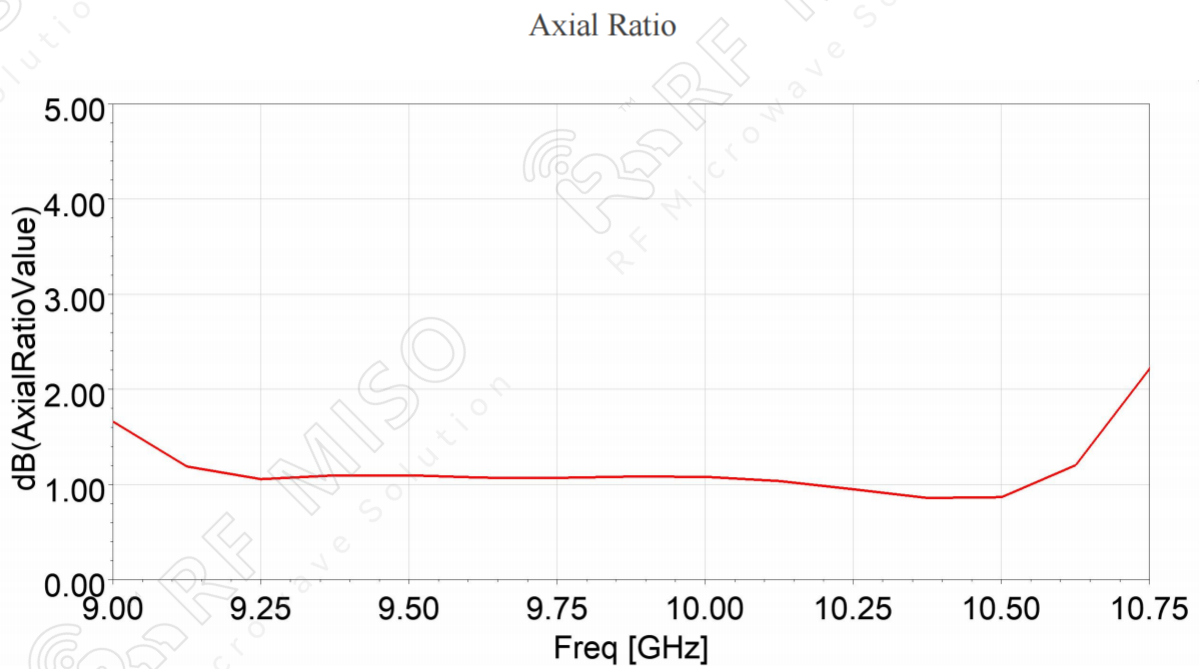
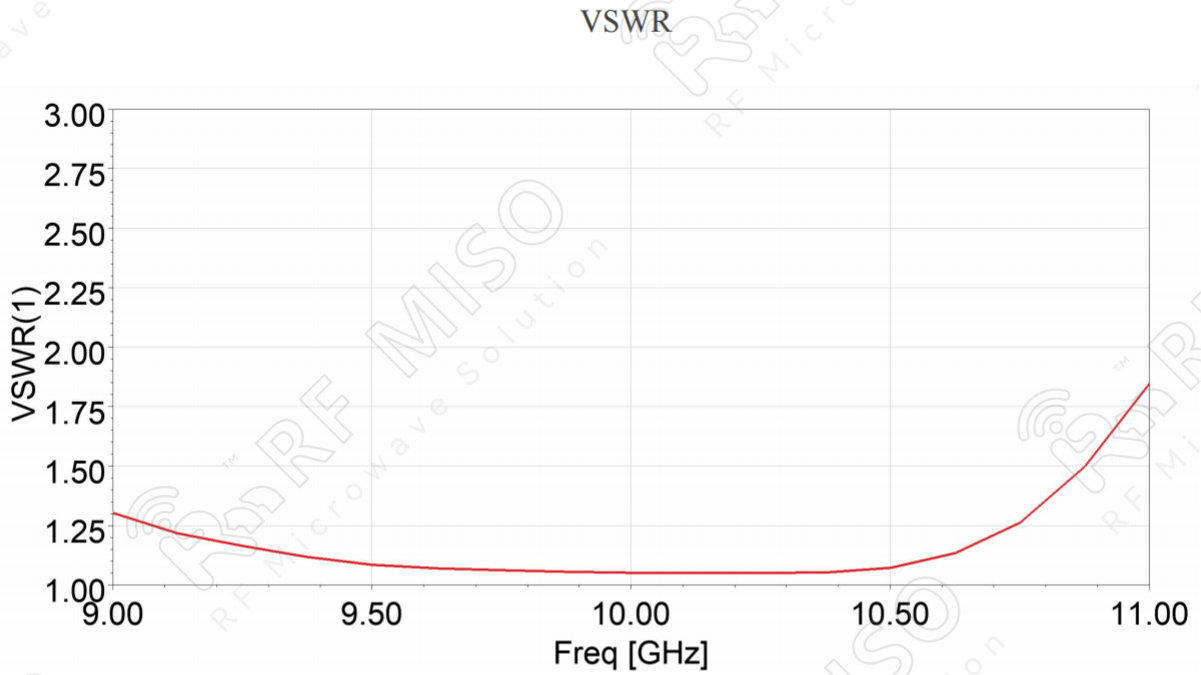


Circular Polarization Horn Antenna
16 dBi Typ. Gain, 9.5-10.5 GHz Frequency Range

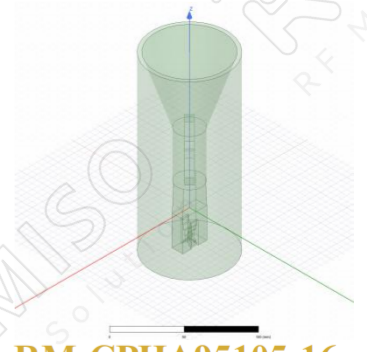


Circular Polarization Horn Antenna Data Sheet

RM-CPHA95105-16



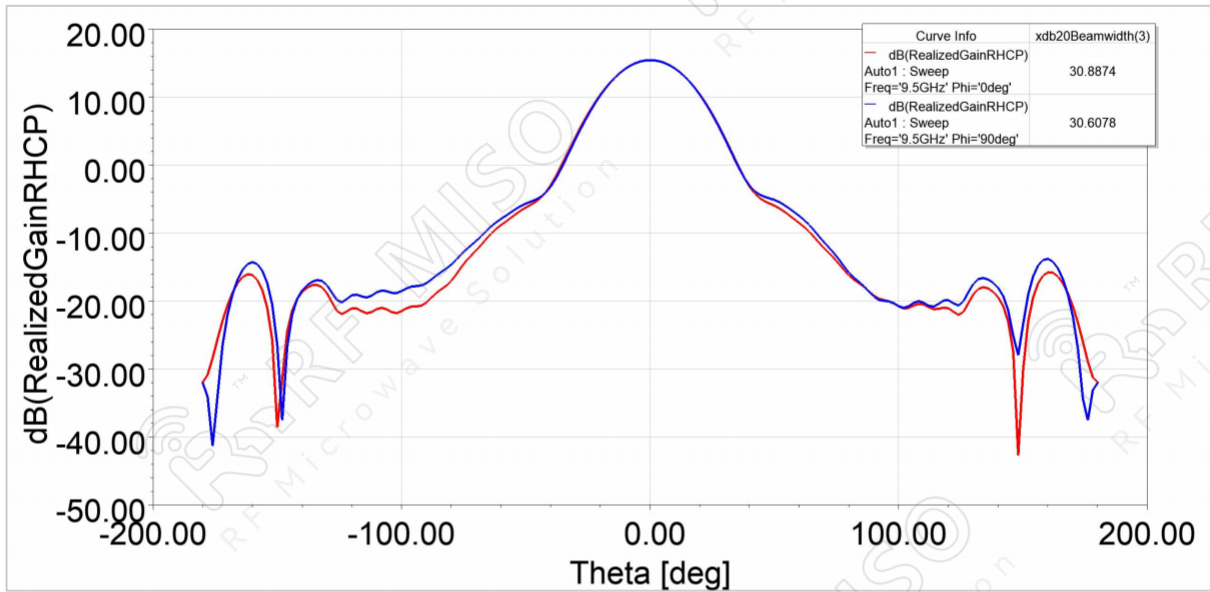
Circular Polarization Horn Antenna
16 dBi Typ. Gain, 9.5-10.5 GHz Frequency Range



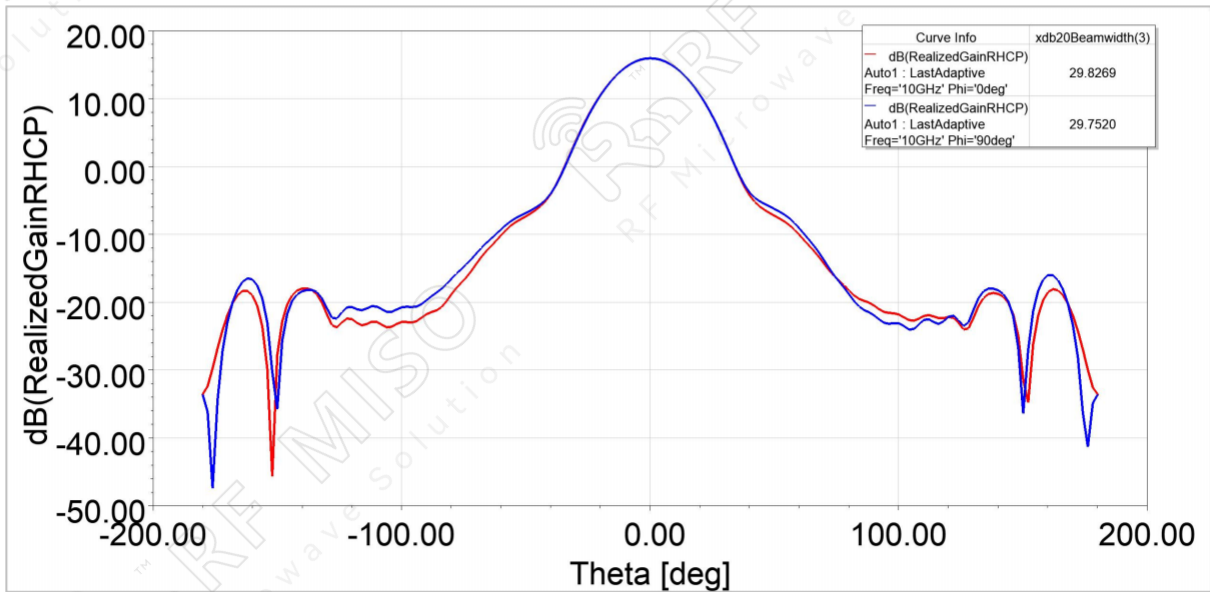
Circular Polarization Horn Antenna Data Sheet

RM-CPHA95105-16

Gain Plot

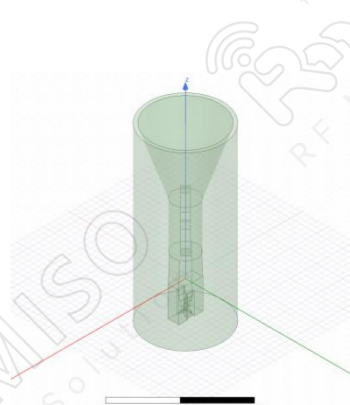


9.5GHz



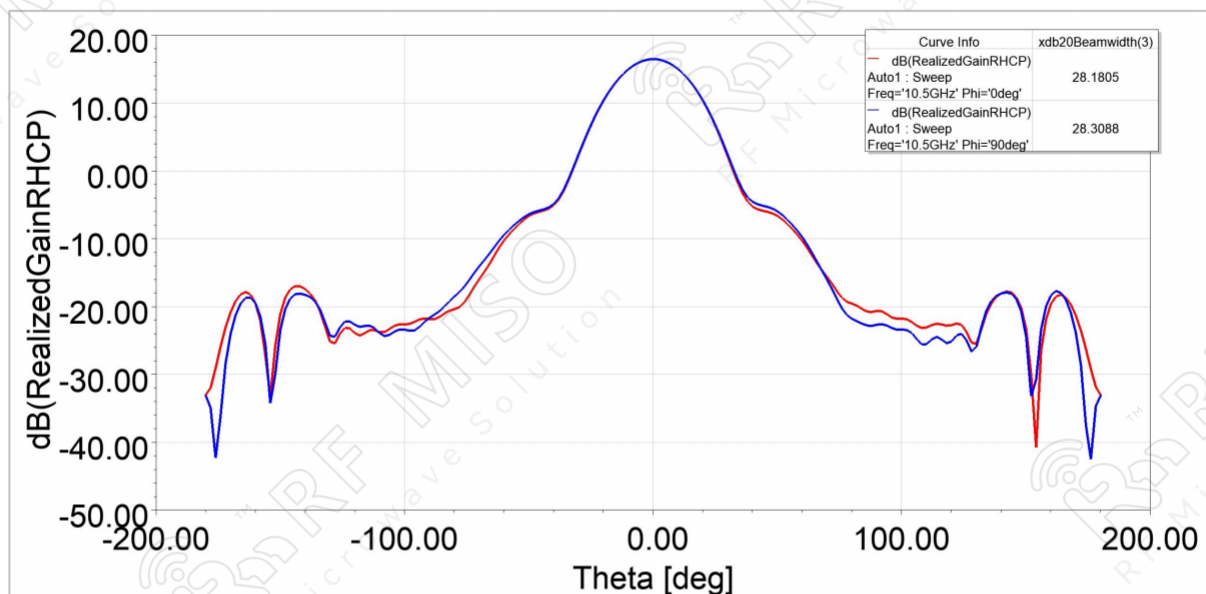
10GHz

Circular Polarization Horn Antenna
16 dBi Typ. Gain, 9.5-10.5 GHz Frequency Range



Circular Polarization Horn Antenna Data Sheet

RM-CPHA95105-16



10.5GHz