

## Dual Dipole Antenna Array 4.4-7.5GHz Frequency Range

### Antenna Array Data Sheet

**RM-DAA-4471**

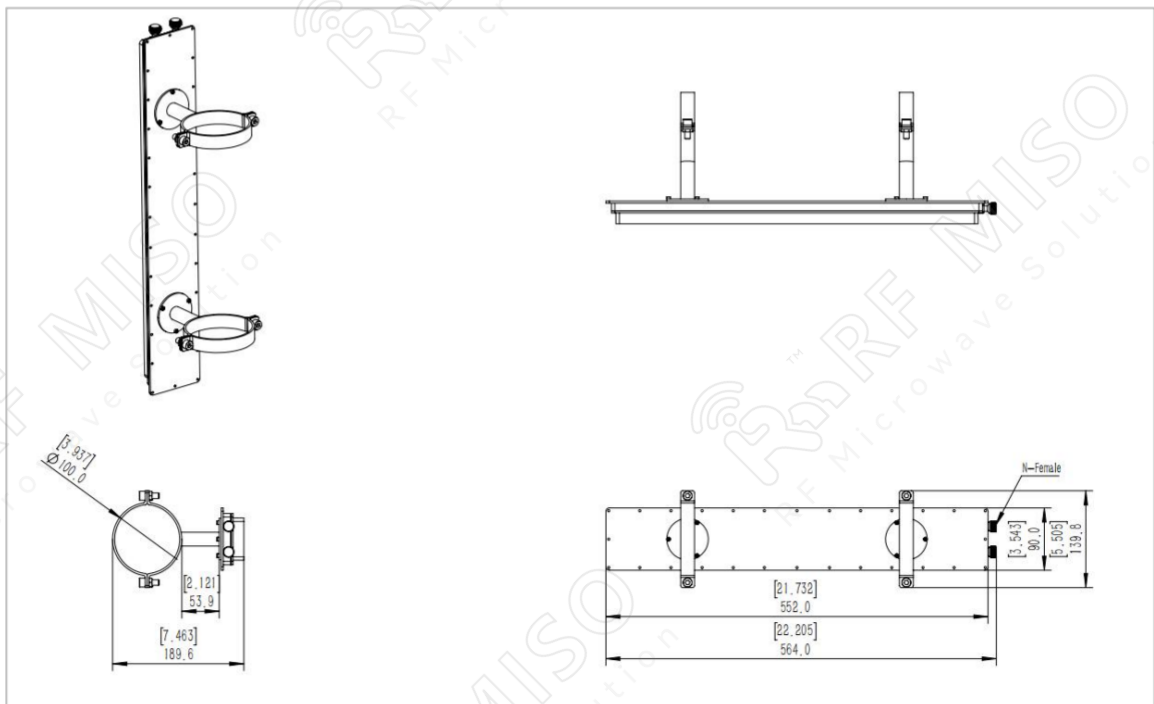
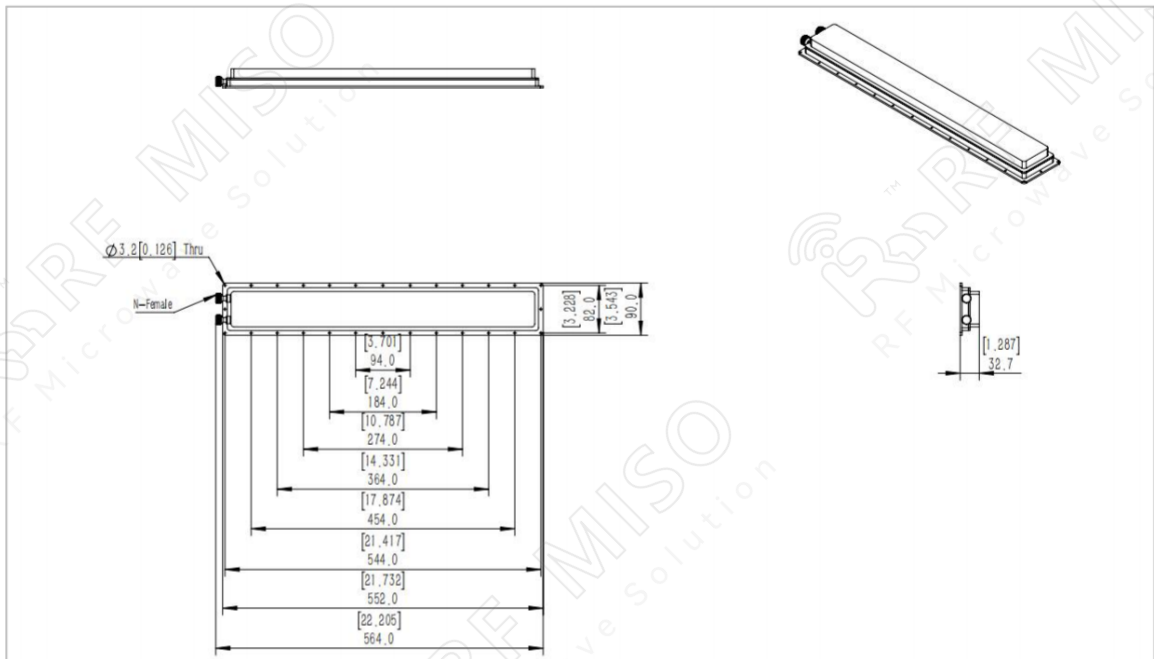
#### Specifications

RM-DAA-4471		
Parameters	Typical	Units
Frequency Range	4.4-7.5	GHz
Gain	17 Typ.	dBi
Return Loss	>10	dB
Polarization	Dual, ±45°	
Connector	N-Female	
Material	Al	
Size(L*W*H)	564*90*32.7(±5)	mm
Weight	About 1.53	Kg
XDP 20Beamwidth		
Frequency	Phi=0°	Phi=90°
4.4GHz	69.32	6.76
5.5GHz	64.95	5.46
6.5GHz	57.73	4.53
7.125GHz	55.06	4.30
7.5GHz	53.09	4.05

**Antenna Array Data Sheet**

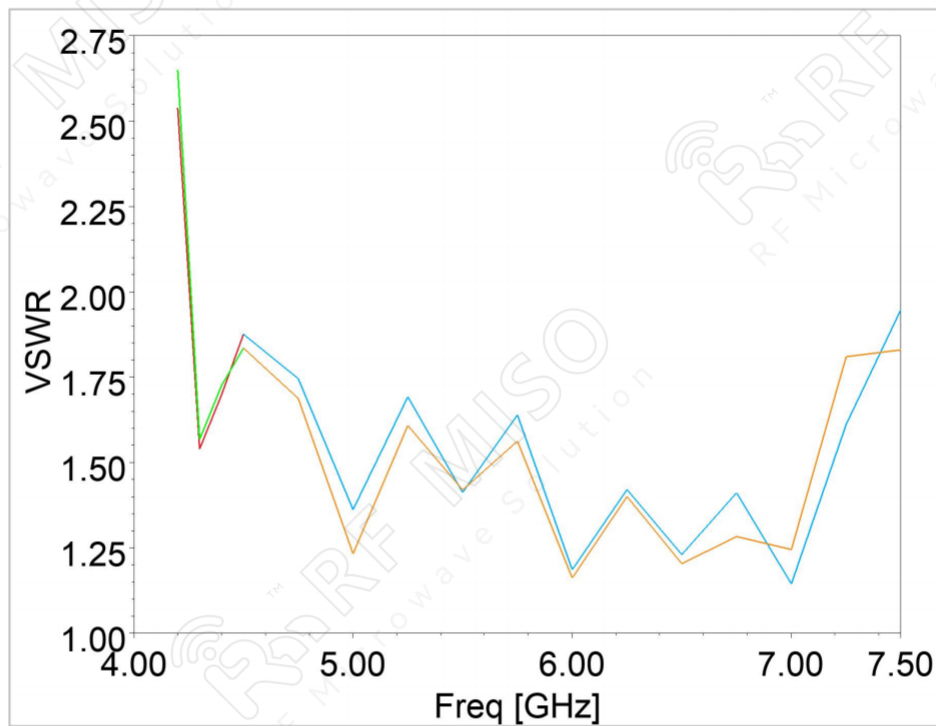
**RM-DAA-4471**

**Outline Drawing**

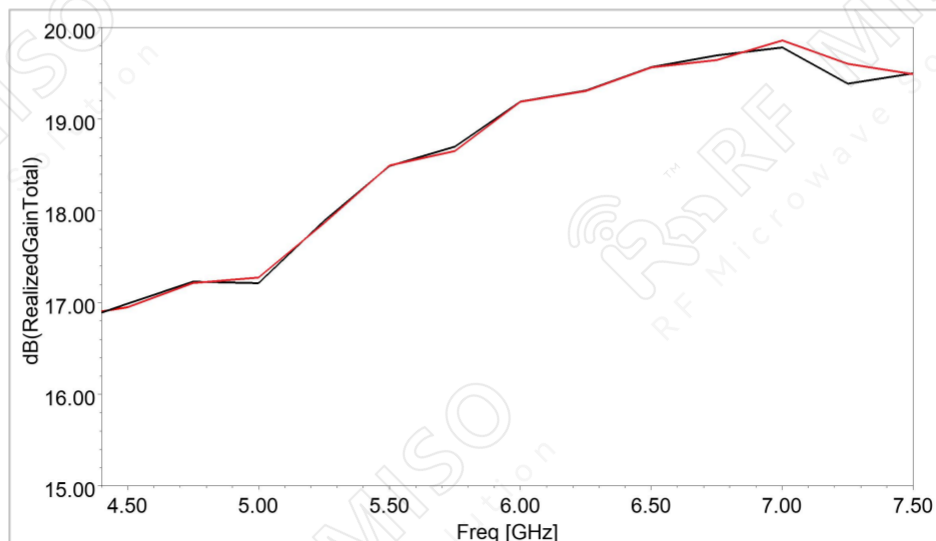


Simulation Data

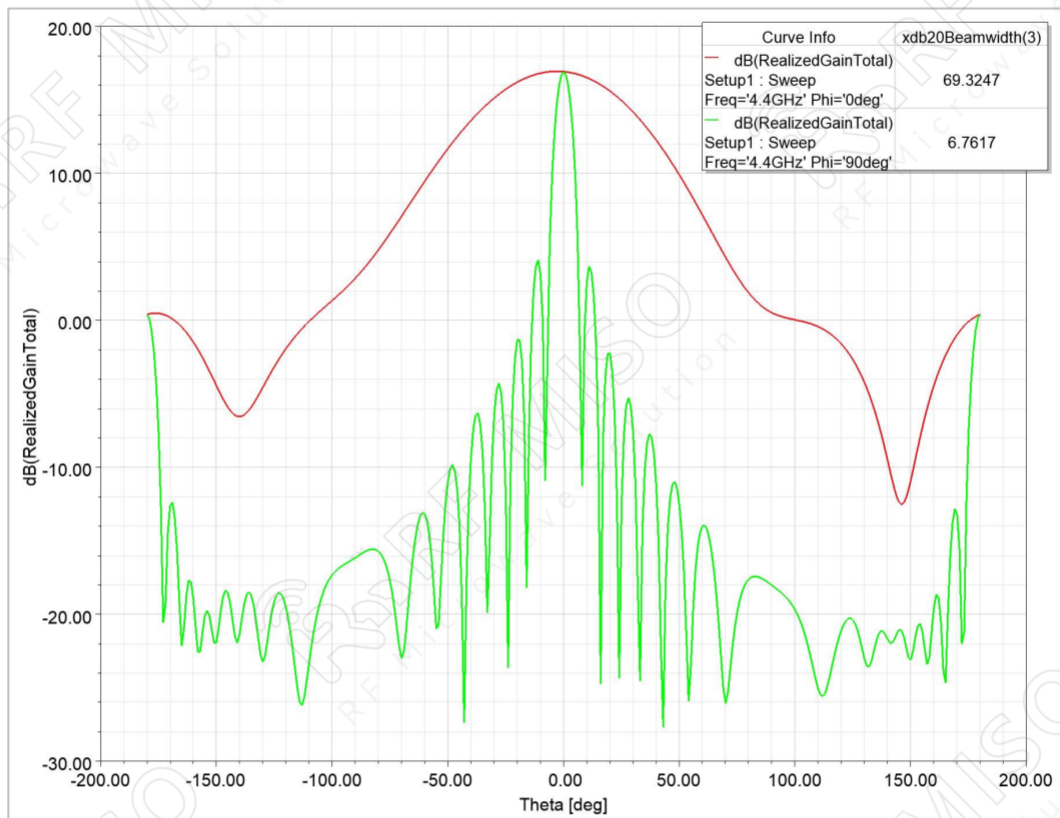
VSWR



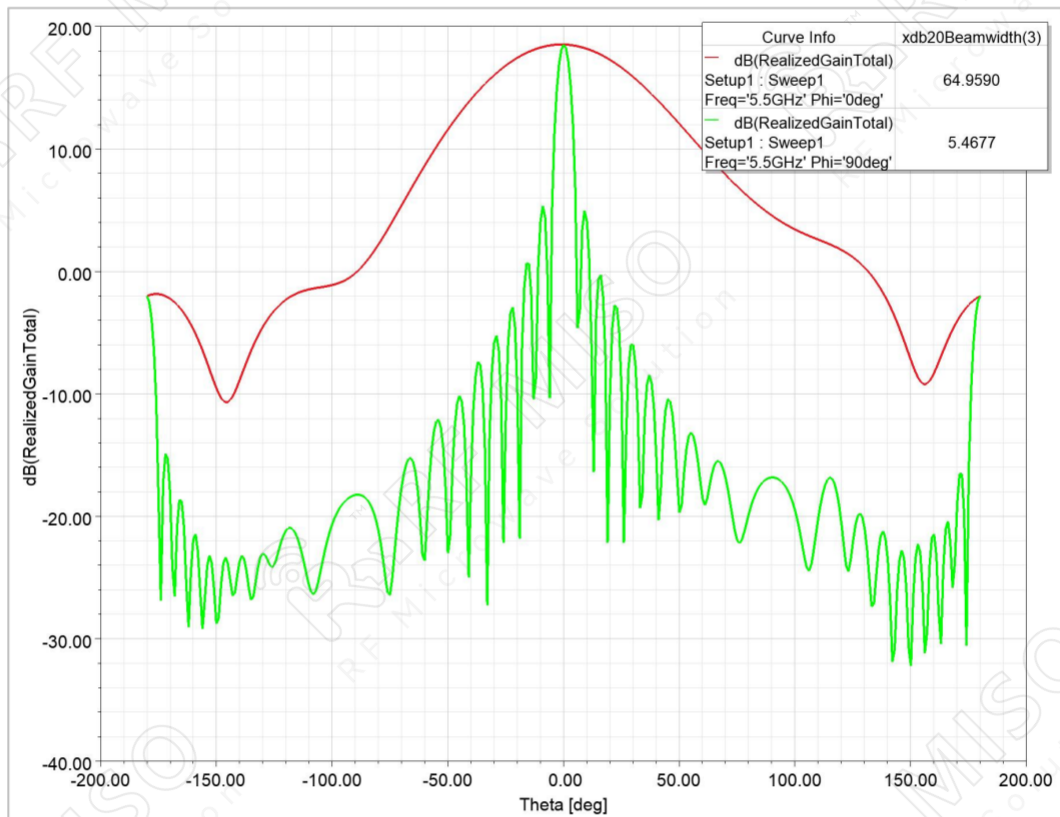
Gain



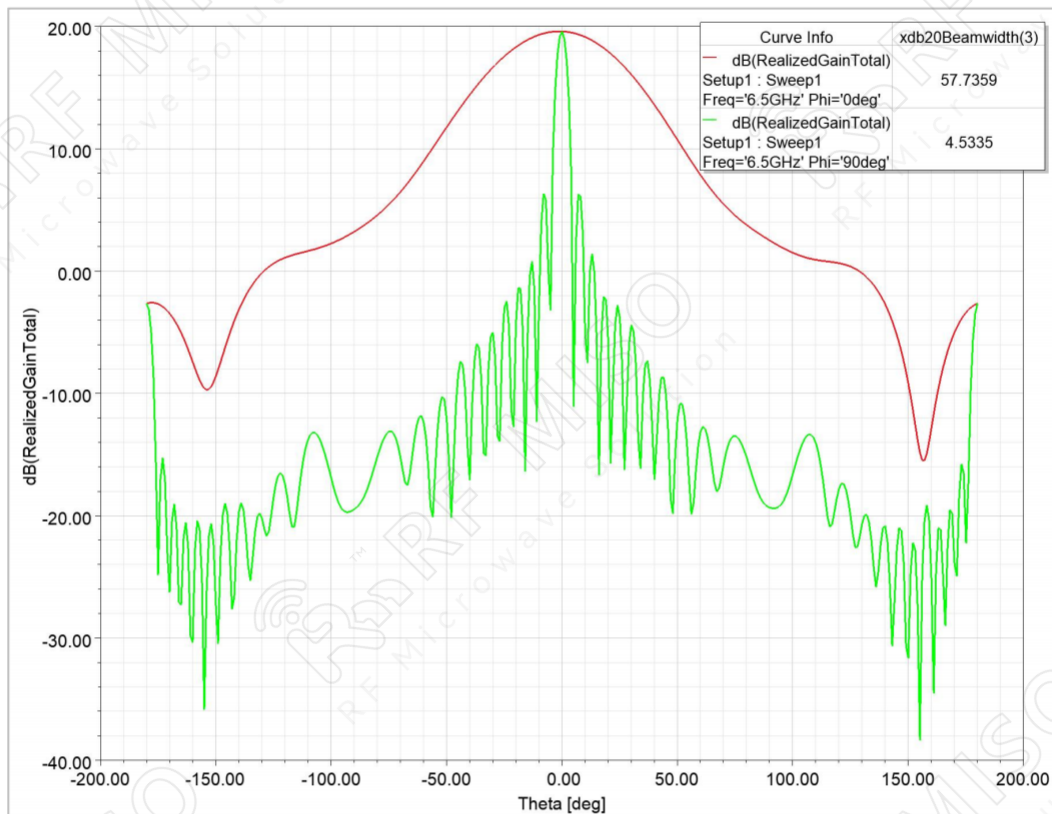
4.4GHz



5.5GHz



6.5GHz

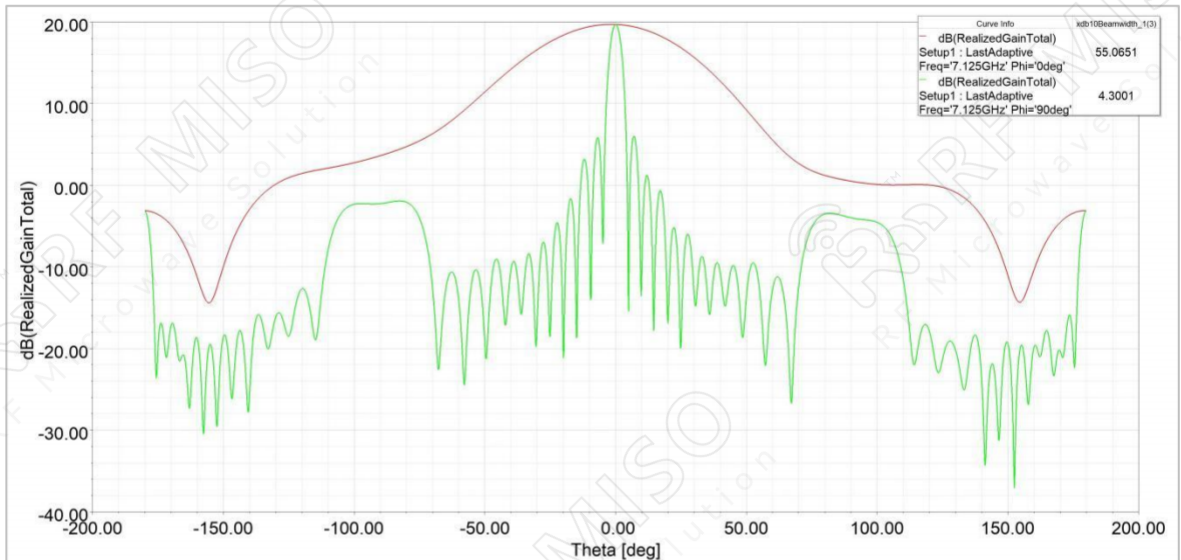


Dual Dipole Antenna Array 4.4-7.5GHz  
Frequency Range

Antenna Array Data Sheet

RM-DAA-4471

7.125GHz



7.5GHz

