

*Double Ridged Waveguide Probe Antenna  
5 dBi Typ. Gain, 2-6GHz Frequency Range*

**Waveguide Probe Antenna Data Sheet**

**RM-DBWPA26-5**

**Description**

The **RM-DBWPA26-5** is a double ridged broadband waveguide probe antenna that operates from 2GHz to 6GHz with a 5 dBi typical gain and low VSWR 2.0:1. The antenna supports linear polarized waveforms. It is designed for planar near-field measurement, cylindrical near-field measurement and calibration.

**Specifications**

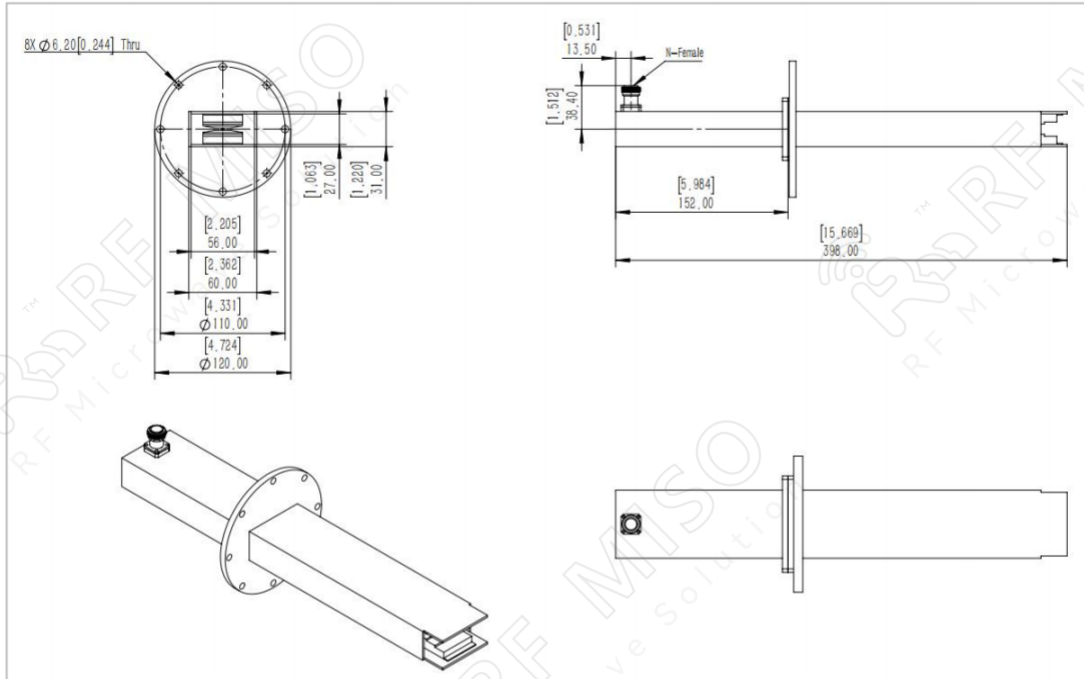
<b>RM-DBWPA26-5</b>		
Item	Specification	Units
Frequency Range	2-6	GHz
Gain	5 Typ.	dBi
VSWR	≤2.2	
Polarization	Linear	
3dB Beamwidth	H-Plane:78 Typ. E-Plane:85	
Connector	N-Female	
Body Material	Al	
Power Handling, CW	150	W
Power Handling, Peak	300	W
Size(L*W*H)	398*Ø120(±5)	mm
Weight	1.252	Kg
	1.467(with I-type bracket)	
	1.636(with L-type bracket)	
	1.373(With absorbing material)	

*Double Ridged Waveguide Probe Antenna  
5 dBi Typ. Gain, 2-6GHz Frequency Range*

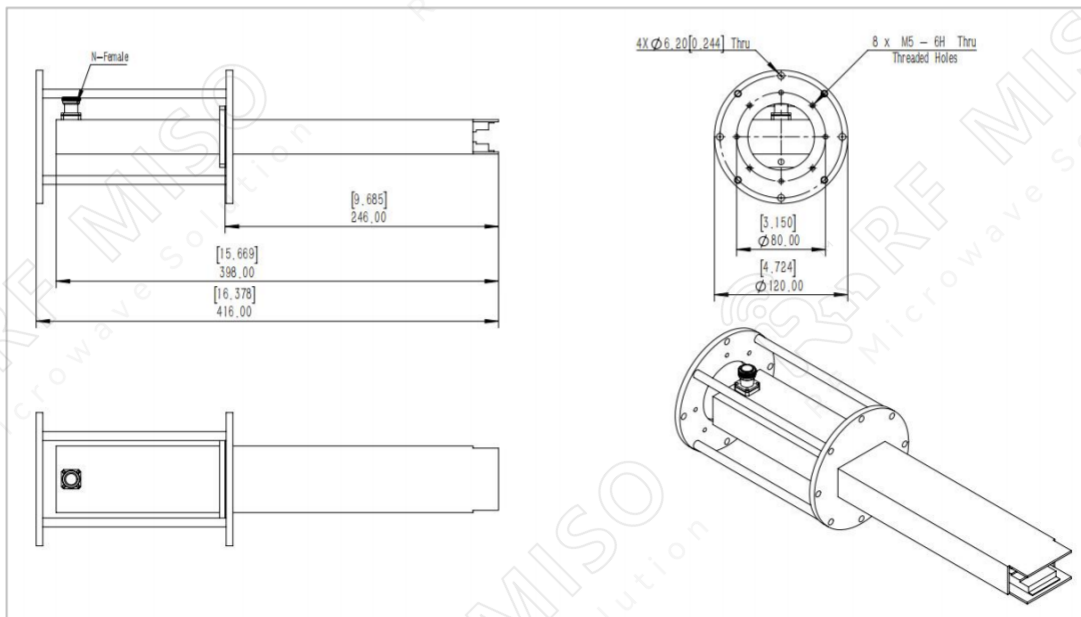
**Waveguide Probe Antenna Data Sheet**

**RM-DBWPA26-5**

**Mechanical Drawing**



**Mechanical Drawing with I-Type Bracket(P/N:RM-DBWPA26-5I)**

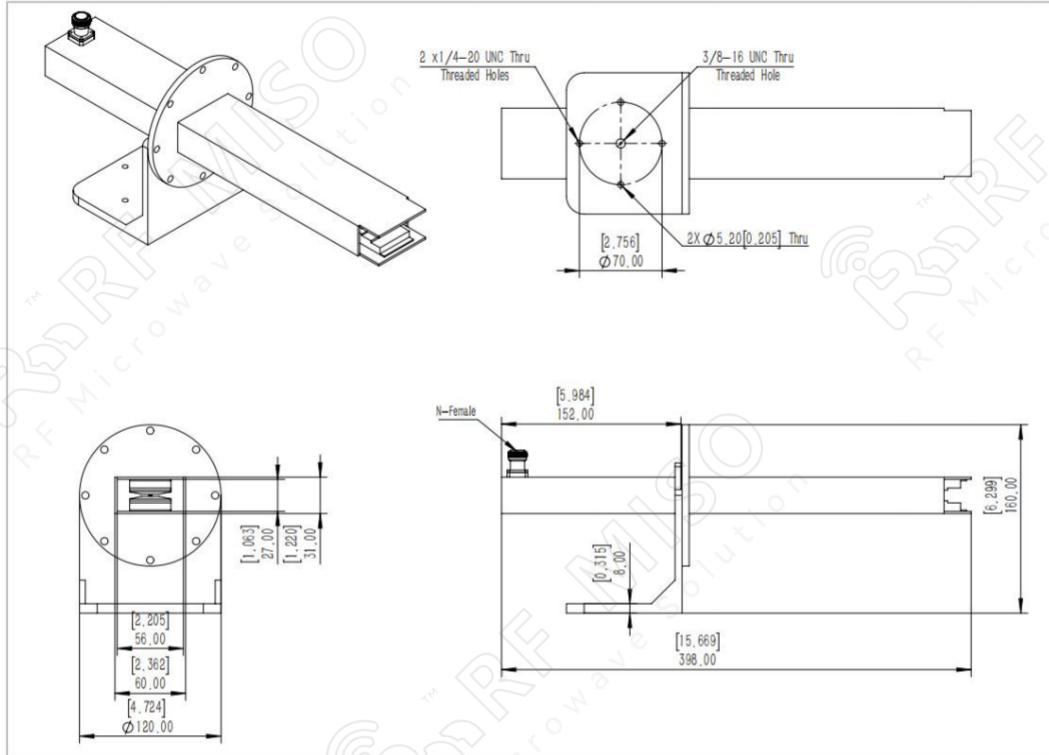


Double Ridged Waveguide Probe Antenna  
5 dBi Typ. Gain, 2-6GHz Frequency Range

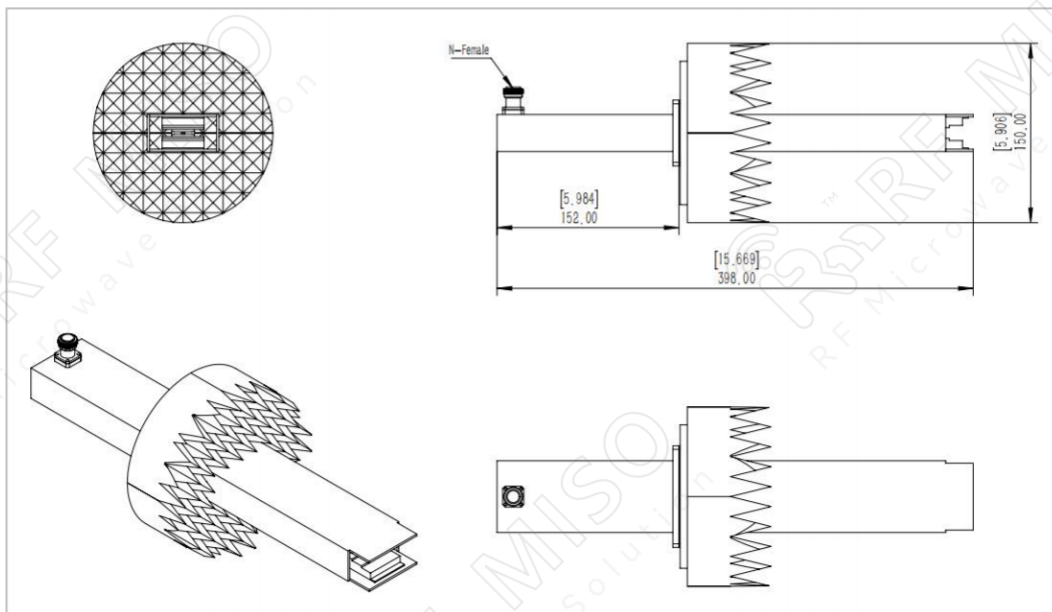
**Waveguide Probe Antenna Data Sheet**

**RM-DBWPA26-5**

**Mechanical Drawing with L-Type Bracket(P/N:RM-DBWPA26-5L)**



**Mechanical Drawing with Absorbing Material(P/N:RM-DBWPA26-5A)**



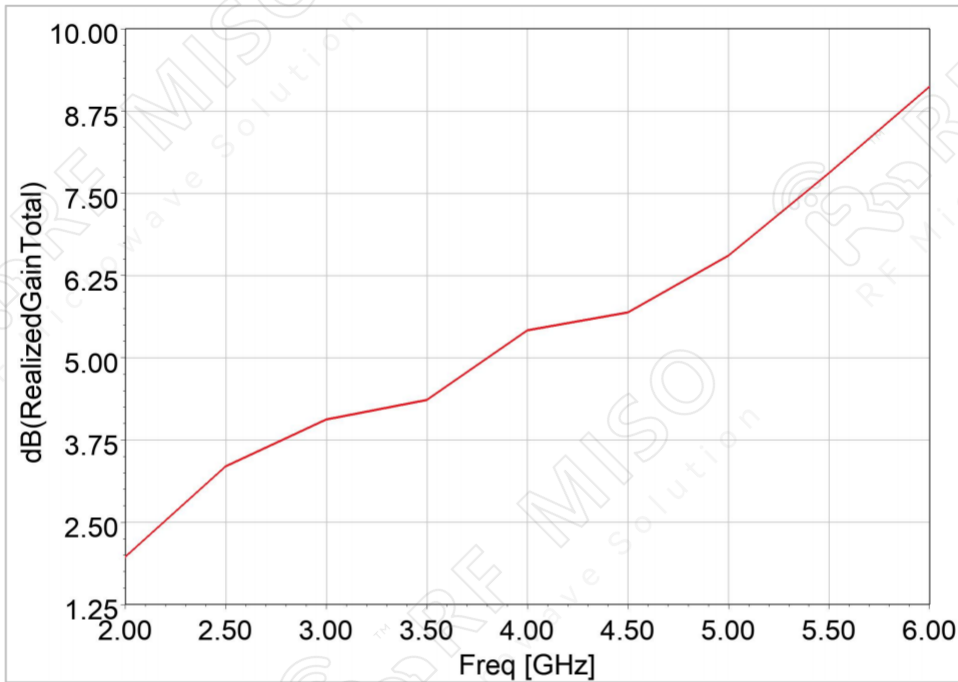
Double Ridged Waveguide Probe Antenna  
5 dBi Typ. Gain, 2-6GHz Frequency Range

**Waveguide Probe Antenna Data Sheet**

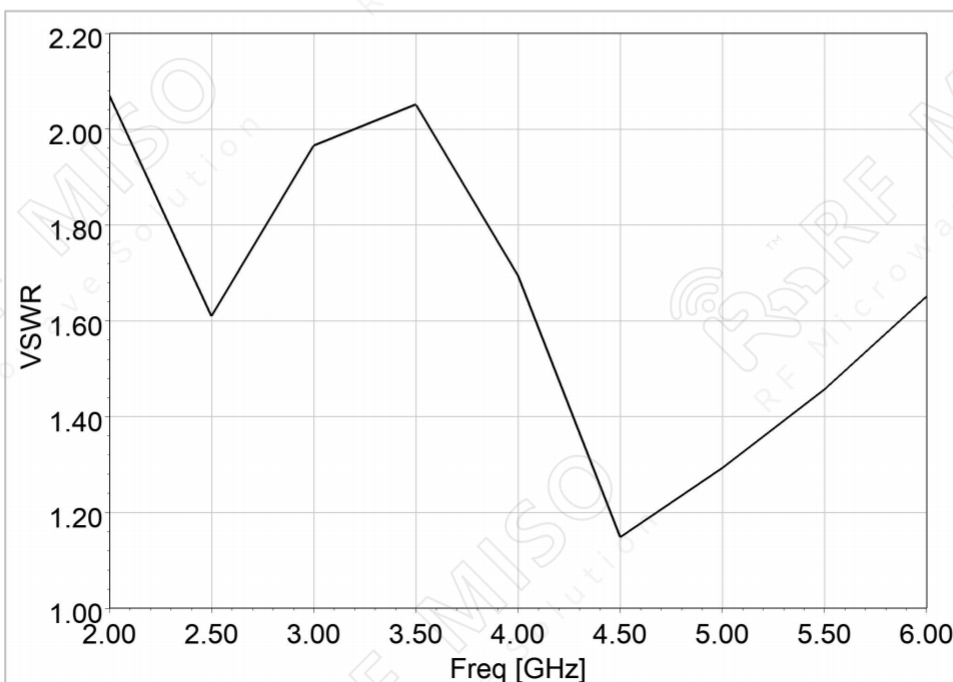
**RM-DBWPA26-5**

**Simulated Data**

Gain



VSWR



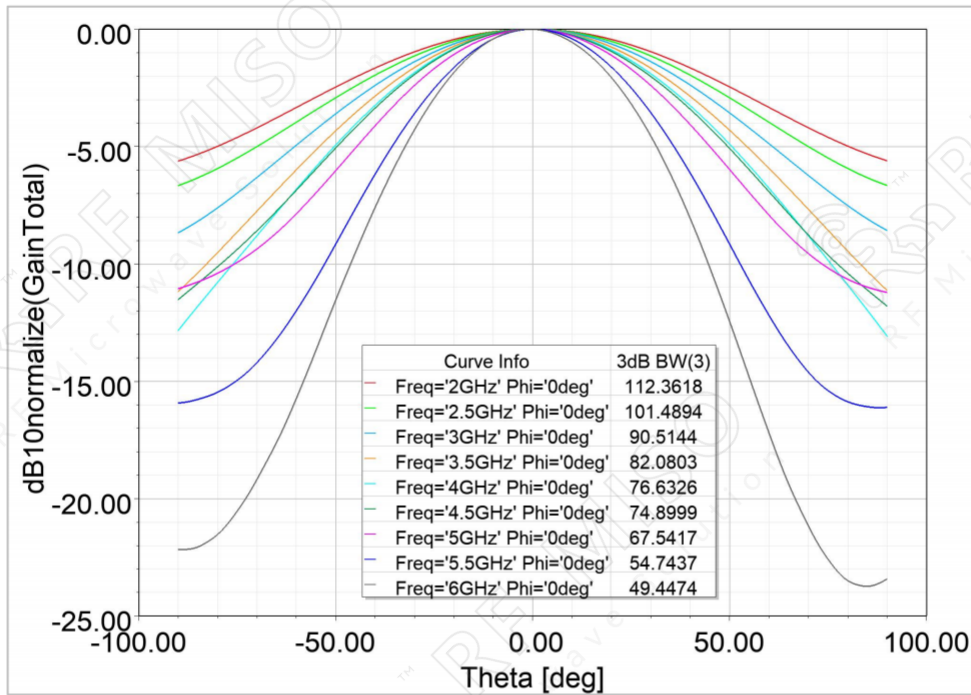
Double Ridged Waveguide Probe Antenna  
5 dBi Typ. Gain, 2-6GHz Frequency Range

**Waveguide Probe Antenna Data Sheet**

**RM-DBWPA26-5**

**Pattern and 3dB-beamwidth**

H-Plane



E-Plane

