



*Dual Circular Polarized Horn Antenna
20dBi Typ. Gain, 10.5-14.5GHz Frequency Range*

Dual Circular Polarized Horn Antenna Data Sheet

RM-DCPHA105145-20

Features

- Coaxial Adapter for RF Inputs
- High Gain
- Strong Anti-interference
- High Transfer Rate
- Dual Circular Polarized
- Small Size

Descriptions

RF MISO's **Model RM-DCPHA105145-20** is a dual circular polarized horn antenna that operates from 10.5 to 14.5GHz, The antenna offers 20 dBi typical gain. The antenna VSWR below 1.5. The antenna RF ports are 2.92-female coaxial connector. The antenna can be widely used in EMI detection, orientation, reconnaissance, antenna gain and pattern measurement and other application fields.

Specifications

RM-DCPHA105145-20		
Parameters	Typical	Units
Frequency Range	10.5-14.5	GHz
Gain	20 Typ.	dBi
VSWR	<1.5 Typ.	
Polarization	Dual-Circular-polarized	
AR	1.5	dB
Cross polarization	>30	dB
Port Isolation	>30	dB
Size	209.8*115.2*109.2	mm
Weight	1.34	kg

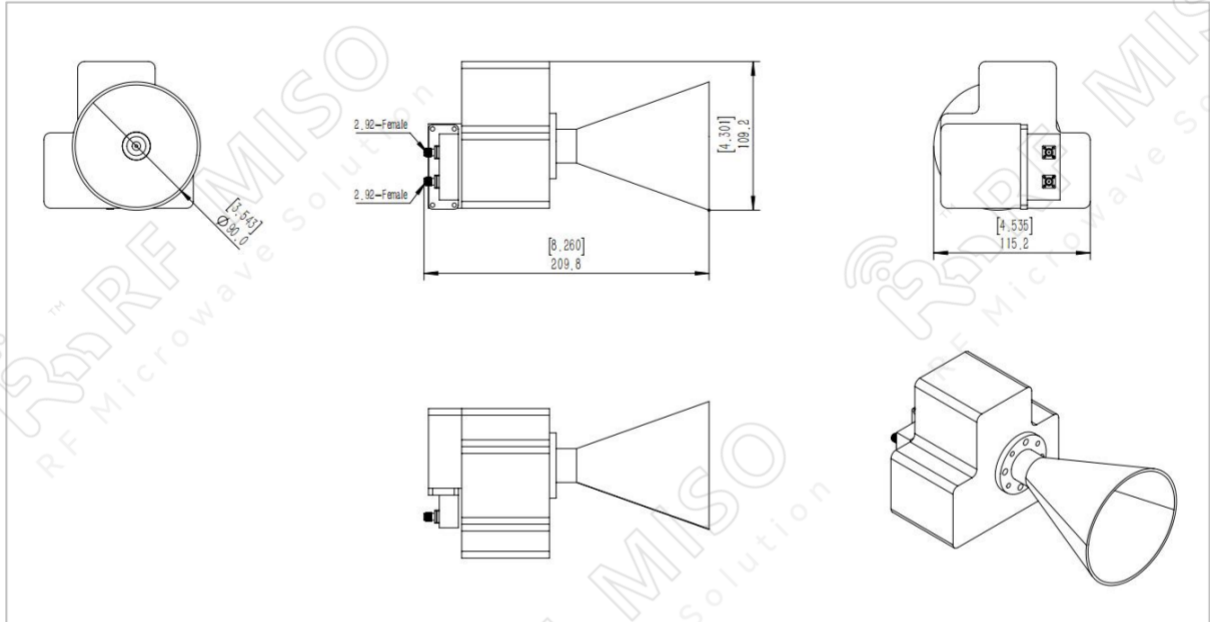


Dual Circular Polarized Horn Antenna
20dBi Typ. Gain, 10.5-14.5GHz Frequency Range

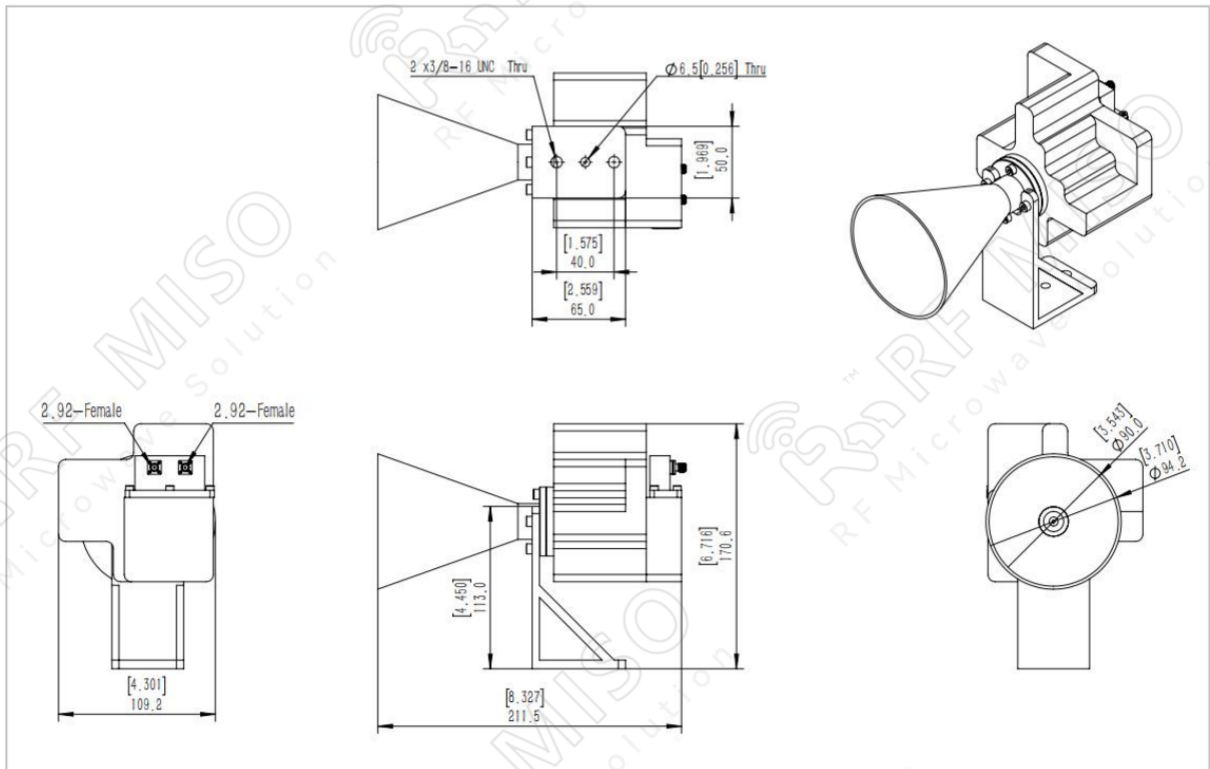
Dual Circular Polarized Horn Antenna Data Sheet

RM-DCPHA105145-20

Outline Drawing



Outline Drawing with L-Shaped Bracket





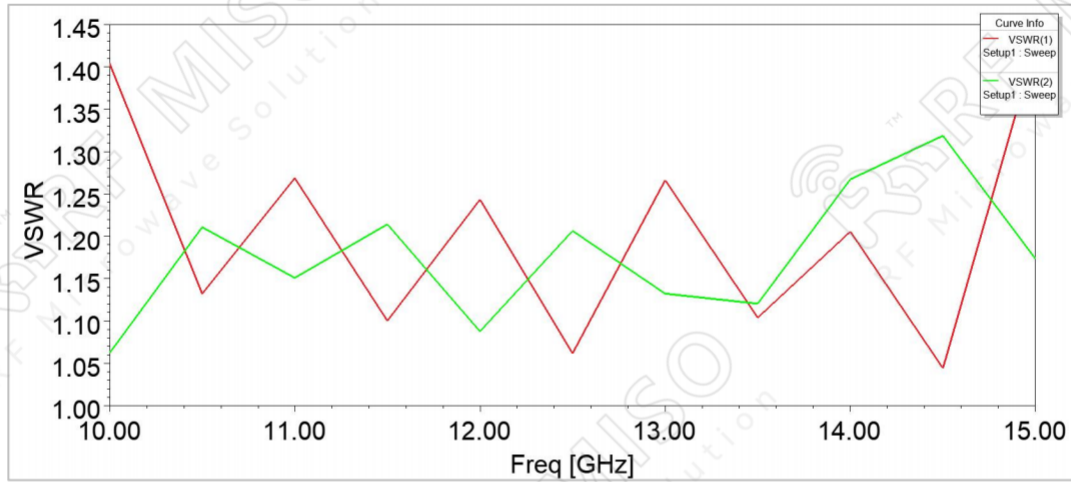
Dual Circular Polarized Horn Antenna
20dBi Typ. Gain, 10.5-14.5GHz Frequency Range

Dual Circular Polarized Horn Antenna Data Sheet

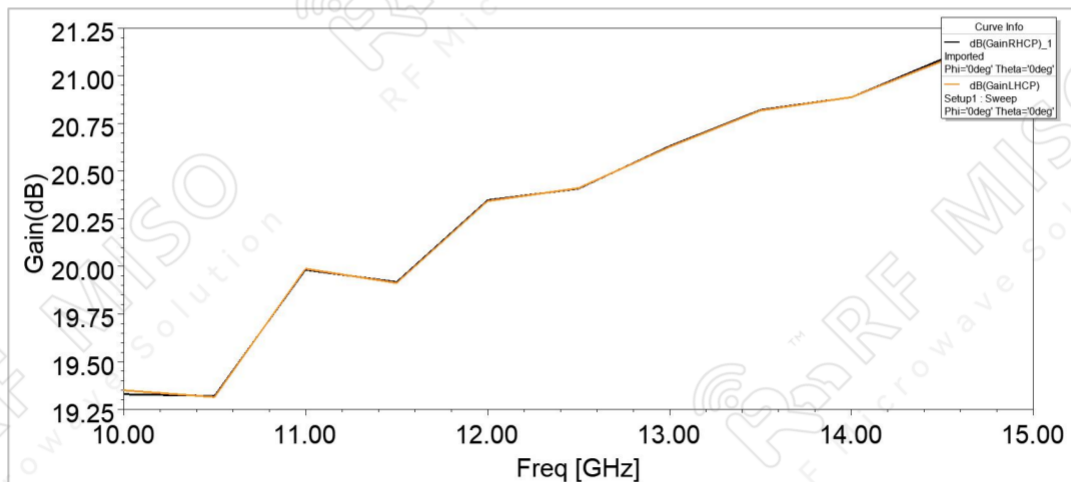
RM-DCPHA105145-20

Simulation results:

VSWR



Gain



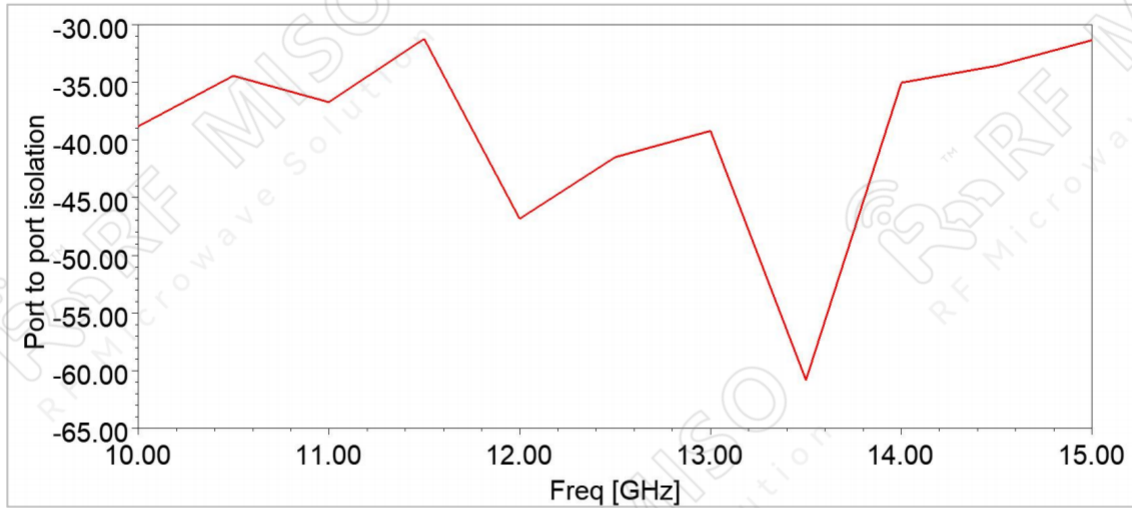


Dual Circular Polarized Horn Antenna
20dBi Typ. Gain, 10.5-14.5GHz Frequency Range

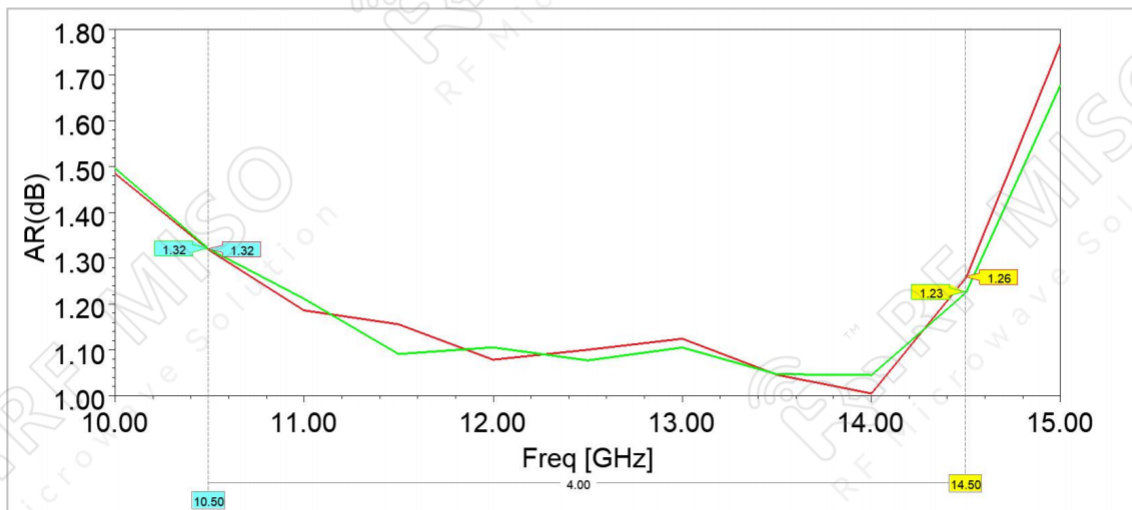
Dual Circular Polarized Horn Antenna Data Sheet

RM-DCPHA105145-20

Port Isolation



AR





Dual Circular Polarized Horn Antenna
20dBi Typ. Gain, 10.5-14.5GHz Frequency Range

Dual Circular Polarized Horn Antenna Data Sheet

RM-DCPHA105145-20

Gain Pattern

