

Dual Circular Polarized Horn Antenna
7 dBi Typ. Gain, 2-12GHz Frequency Range



Broadband Horn Antenna Data Sheet

RM-DCPHA212-7

Specifications

RM-DCPHA212-7		
Item	Specification	Units
Frequency Range	2-12	GHz
Gain	7 Typ.	dBi
AR	0.5-1.6	dB
Polarization	Dual Circular Polarized	
Connector	SMA-Female	
Finishing	Paint	
Material	Al	dB
Size(L*W*H)	75*75*108.66(±5)	mm
Weight	231	g

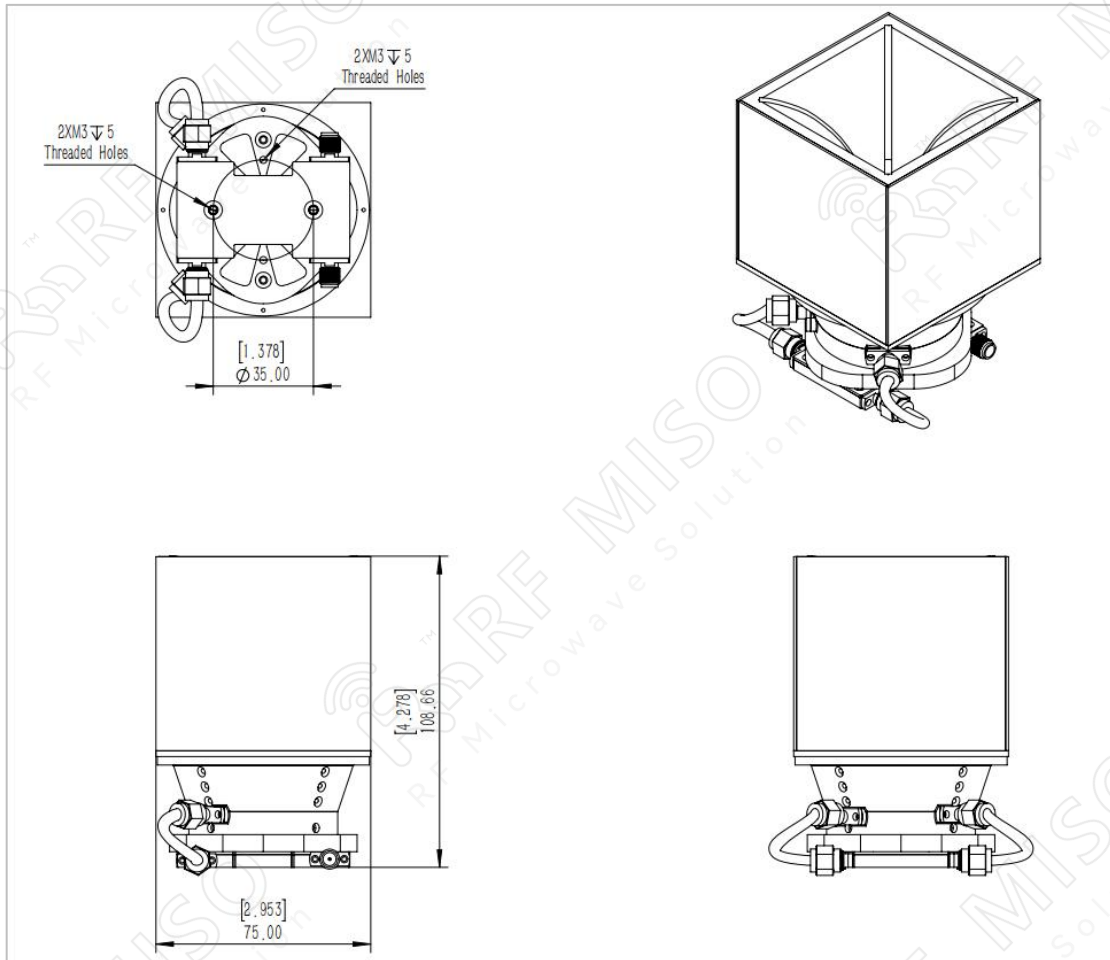
Dual Circular Polarized Horn Antenna
7 dBi Typ. Gain, 2-12GHz Frequency Range



Broadband Horn Antenna Data Sheet

RM-DCPHA212-7

Outline Drawing



Dual Circular Polarized Horn Antenna
7 dBi Typ. Gain, 2-12GHz Frequency Range

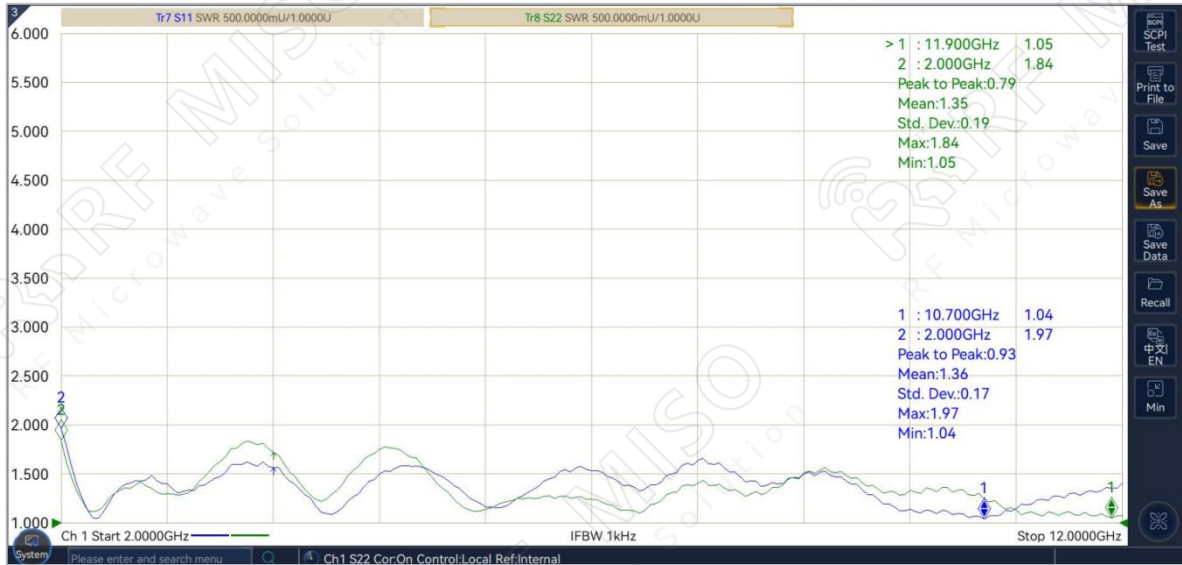


Broadband Horn Antenna Data Sheet

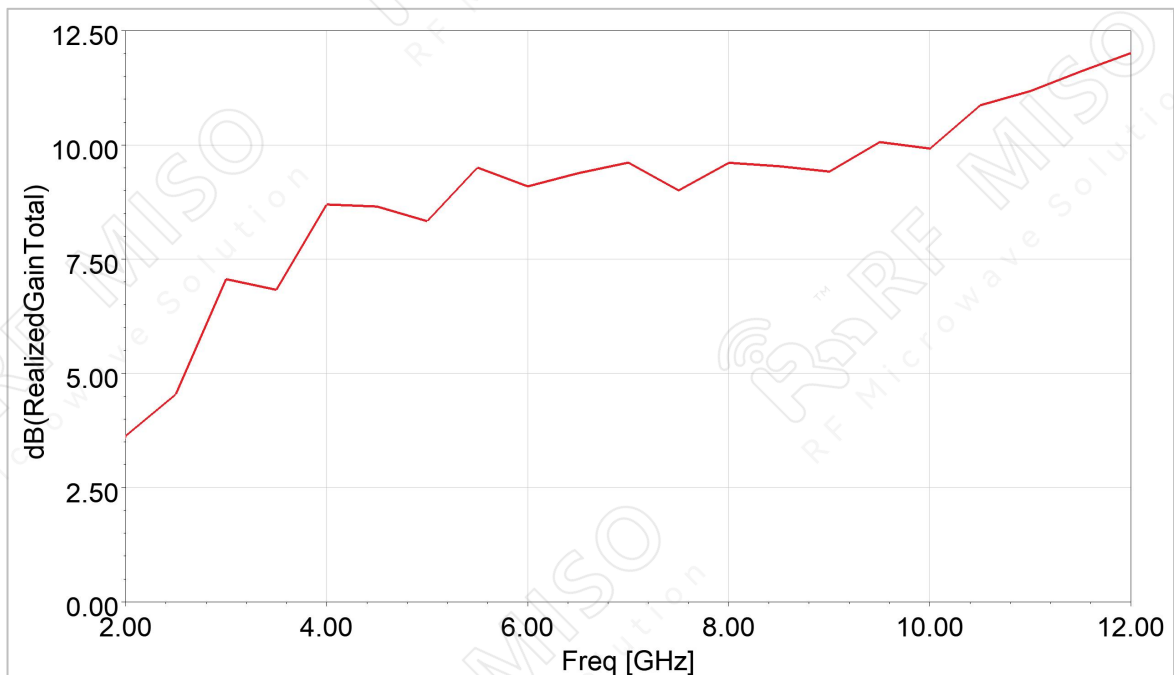
RM-DCPHA212-7

Simulation Data

VSWR



Gain@2-12GHz



Dual Circular Polarized Horn Antenna
7 dBi Typ. Gain, 2-12GHz Frequency Range



Broadband Horn Antenna Data Sheet

RM-DCPHA212-7

AR@2-12GHz

