



*Dual Polarized Horn Antenna
10dBi Typ.Gain, 24GHz-42GHz Frequency Range*

Dual Polarized Horn Antenna Data Sheet

RM-DPHA2442-10

Features

- Full Band Performance
- Dual Polarization
- High Isolation
- Precisely Machined and Gold Plated

Description

The **RM-DPHA2442-10** is a full-band, dual-polarized, WR-28 choke flange feed horn antenna assembly that operates in the frequency range of 24 to 42GHz. The antenna features an integrated orthogonal mode converter that provides high port isolation. The RM-DPHA2442-10 supports vertical and horizontal waveguide orientations and has a typical 35 dB cross-polarization Isolation, a nominal gain of 10 dBi at the center frequency, a typical 3db beamwidth of 60 degrees in the E-plane, a typical 3db beamwidth of 60 degrees in the H-plane. The input to the antenna is a WR-28 waveguide with a UG-599/U-M flanges and 4-40 threaded holes.

Specifications

RM-DPHA2442-10		
Item	Specification	Units
Frequency Range	24-42	GHz
Gain	10 Typ.	dBi
VSWR	1.5:1 Typ.	
Polarization	Dual	
3dB Beam width E plane	60 Typ.	Degrees
3dB Beam width H plane	60 Typ.	Degrees
Port Isolation	45 Typ.	dB
Waveguide Size	WR-28	
Flange Designation	UG-599/U	
Size	90.31*32.6*32.6	mm
Weight	0.288	Kg
Body Material and Finish	Cu, Gold	

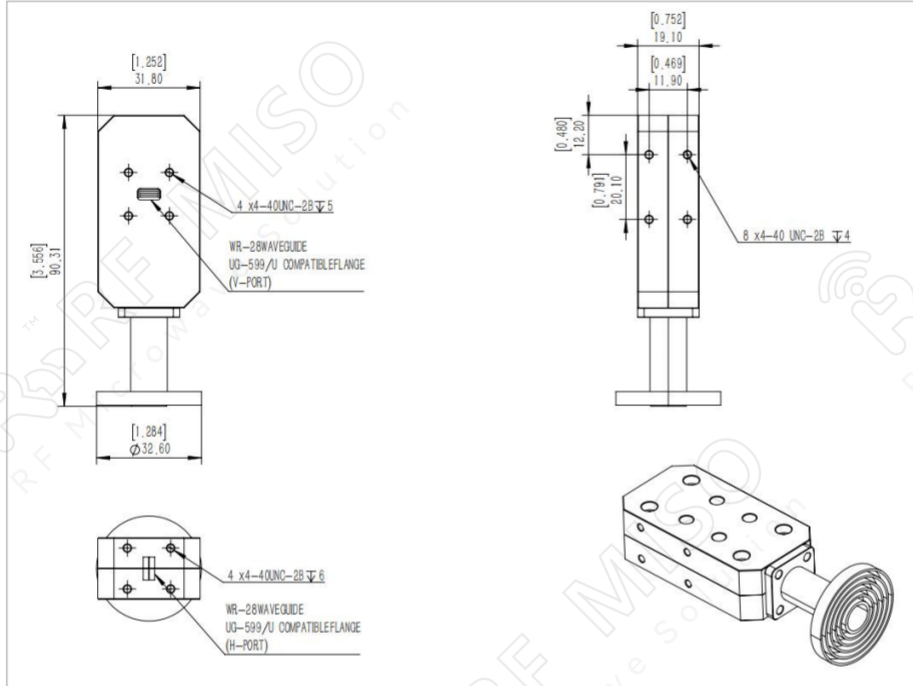
Dual Polarized Horn Antenna
10dBi Typ.Gain, 24GHz-42GHz Frequency Range



Dual Polarized Horn Antenna Data Sheet

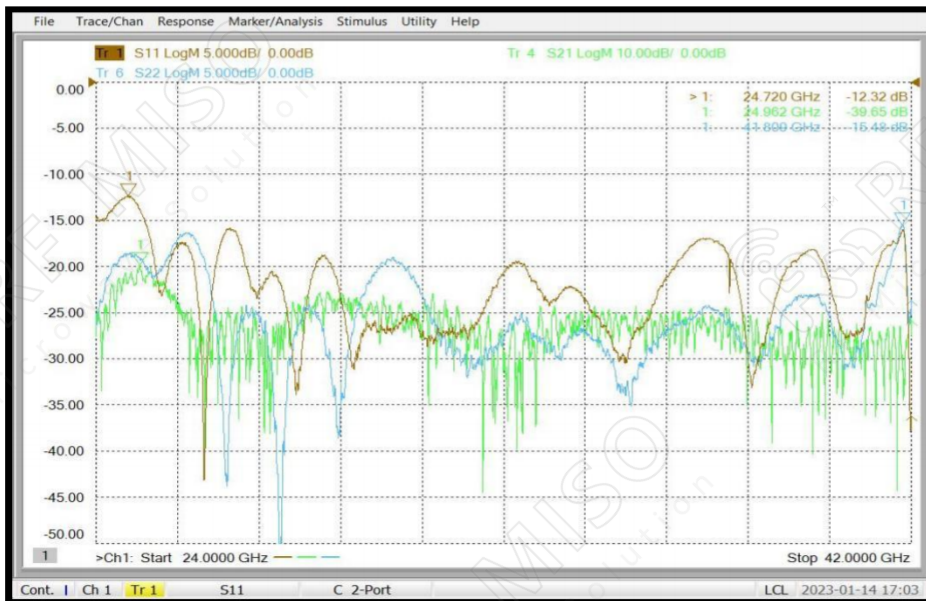
RM-DPHA2442-10

Outline Drawing



Testing Result

VSWR



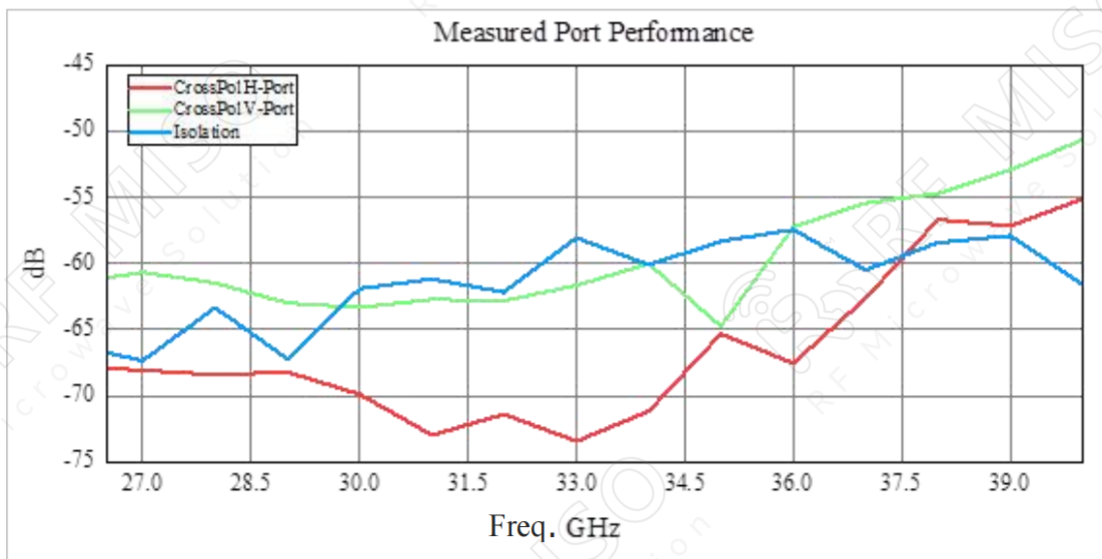
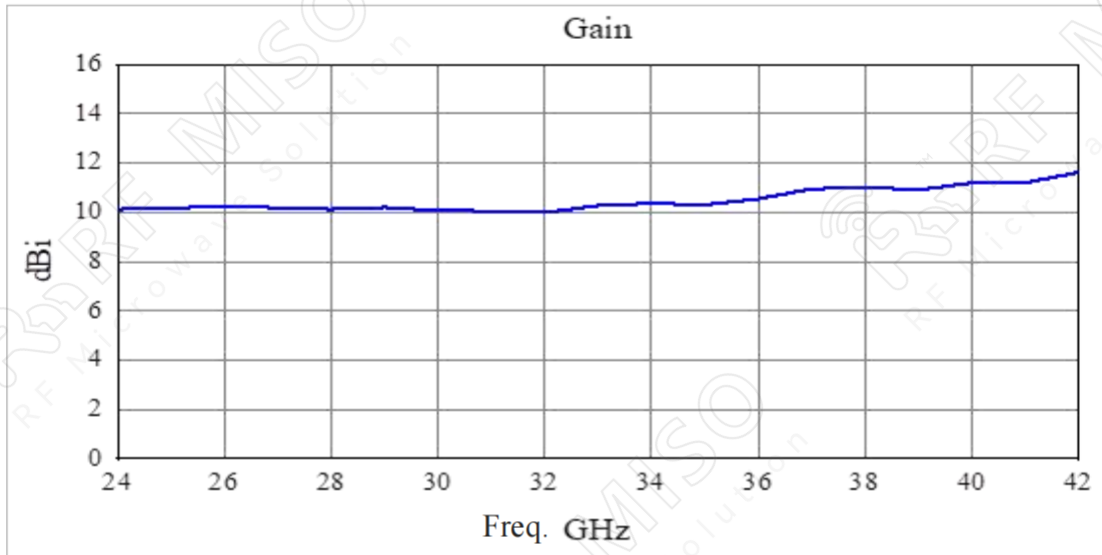
Dual Polarized Horn Antenna
10dBi Typ.Gain, 24GHz-42GHz Frequency Range



Dual Polarized Horn Antenna Data Sheet

RM-DPHA2442-10

Simulated Data

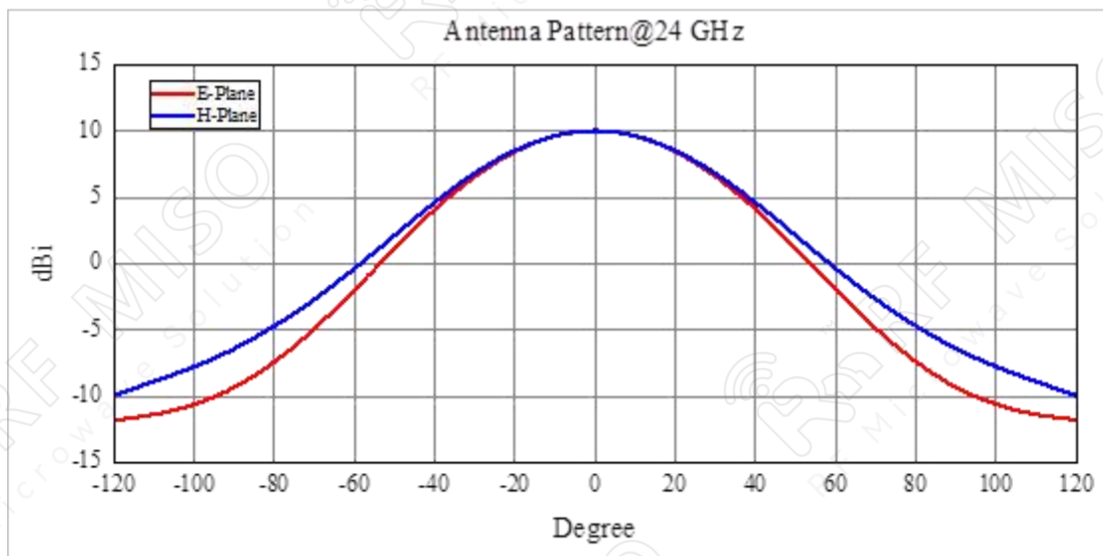
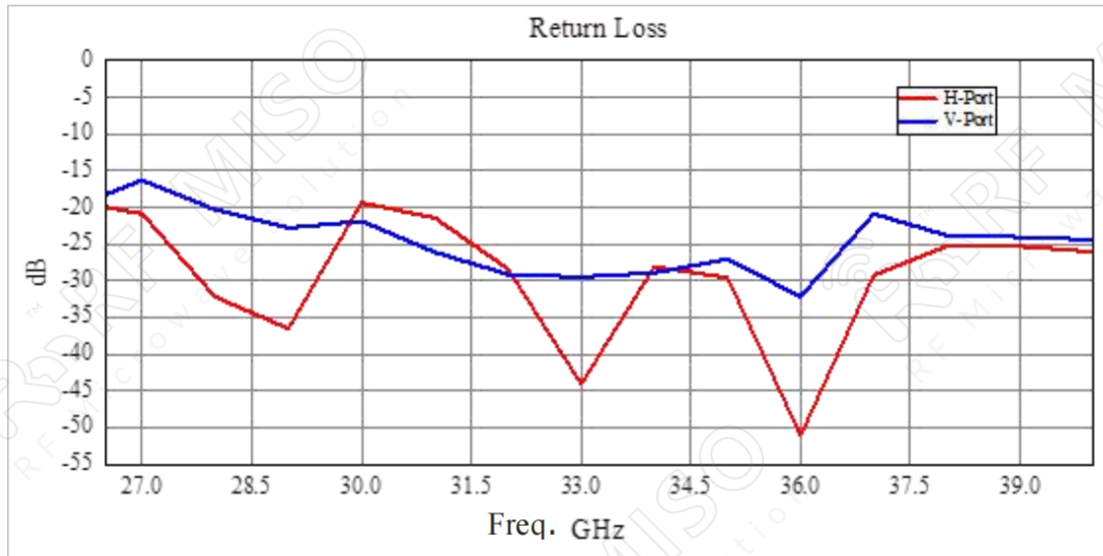


Dual Polarized Horn Antenna
10dBi Typ.Gain, 24GHz-42GHz Frequency Range



Dual Polarized Horn Antenna Data Sheet

RM-DPHA2442-10



Dual Polarized Horn Antenna
10dBi Typ.Gain, 24GHz-42GHz Frequency Range



Dual Polarized Horn Antenna Data Sheet

RM-DPHA2442-10

