



Dual Polarized Horn Antenna
25dBi Typ. Gain, 220-325 GHz Frequency Range

Dual Polarized Horn Antenna Data Sheet

RM-DPHA3-25

Features

- Full Band Performance
- Dual Polarization
- High Isolation
- Precisely Machined and Gold Plated

Description

The **RM-DPHA3-25** is a full-band, dual-polarized horn antenna assembly that operates in the frequency range of 220 to 325 GHz. The antenna offers a typical gain of 25 dBi and low VSWR 1.05:1. The input to the antenna is a WR-3 waveguide. The antenna features an integrated orthogonal mode converter that provides high port isolation.

Specifications

RM-DPHA3-25		
Item	Specification	Units
Frequency Range	220-325	GHz
Gain	25 Typ.	dBi
VSWR	1.05:1 Typ.	
Polarization	Dual	
Cross Polarization	50	dB
Size	21.76*19.1*19.1	mm
Weight	0.009	Kg
Material and Finish	Cu, Gold	
Waveguide Size	WR-3	

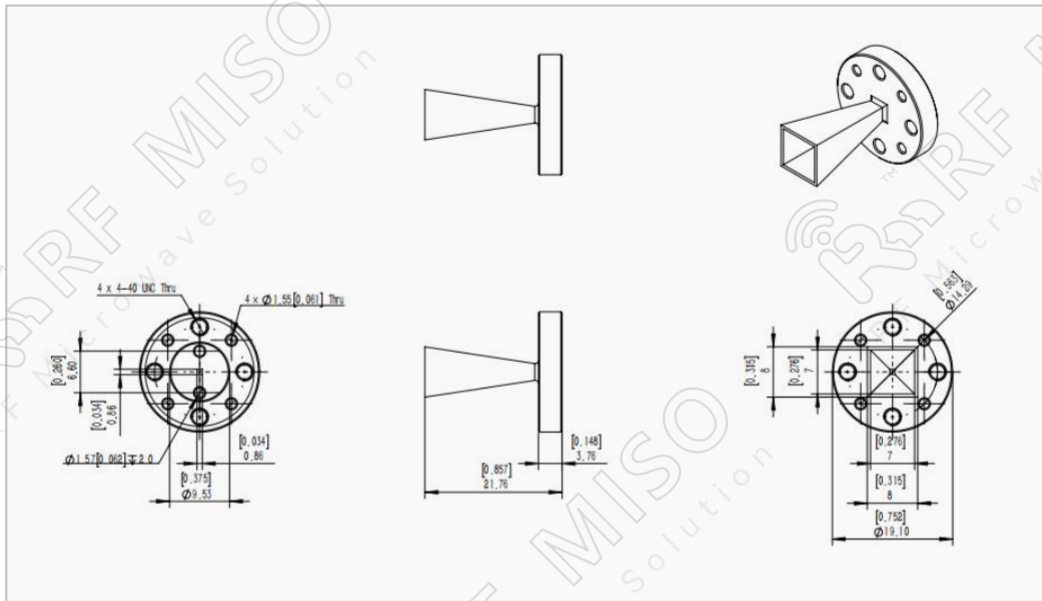


Dual Polarized Horn Antenna
25dBi Typ. Gain, 220-325 GHz Frequency Range

Dual Polarized Horn Antenna Data Sheet

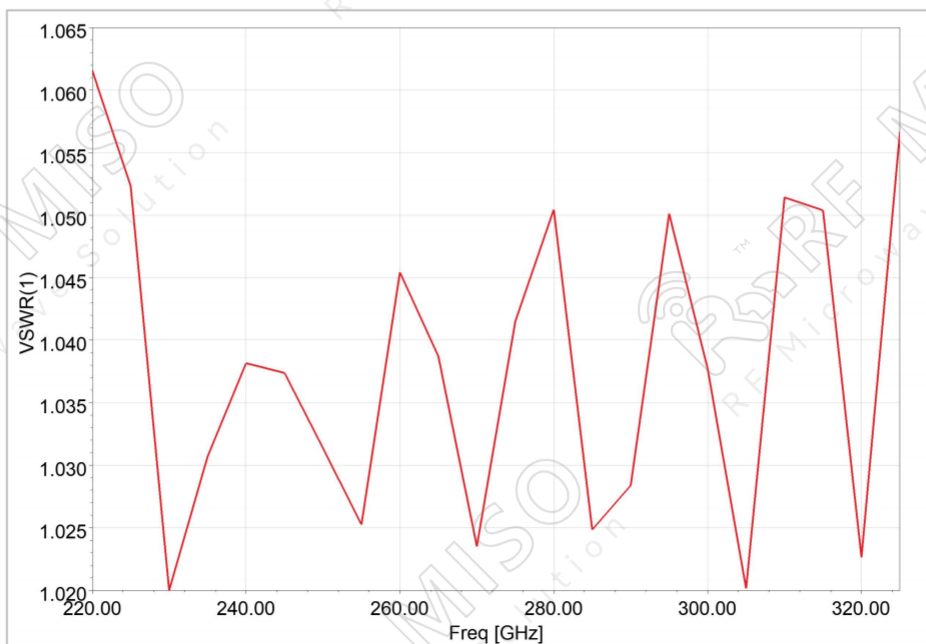
RM-DPHA3-25

Outline Drawing



Simulated Result

VSWR



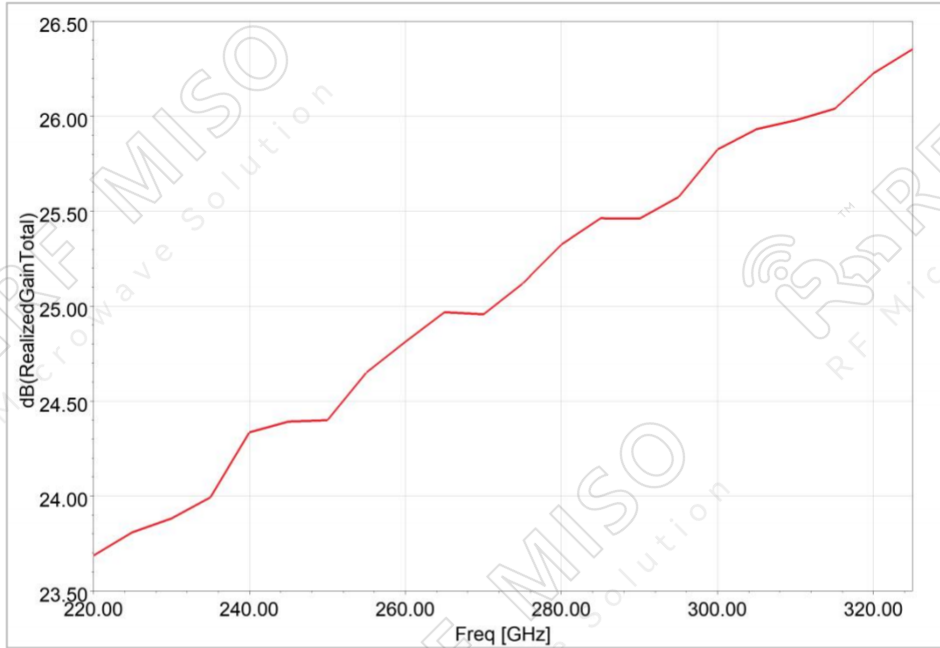


Dual Polarized Horn Antenna
25dBi Typ. Gain, 220-325 GHz Frequency Range

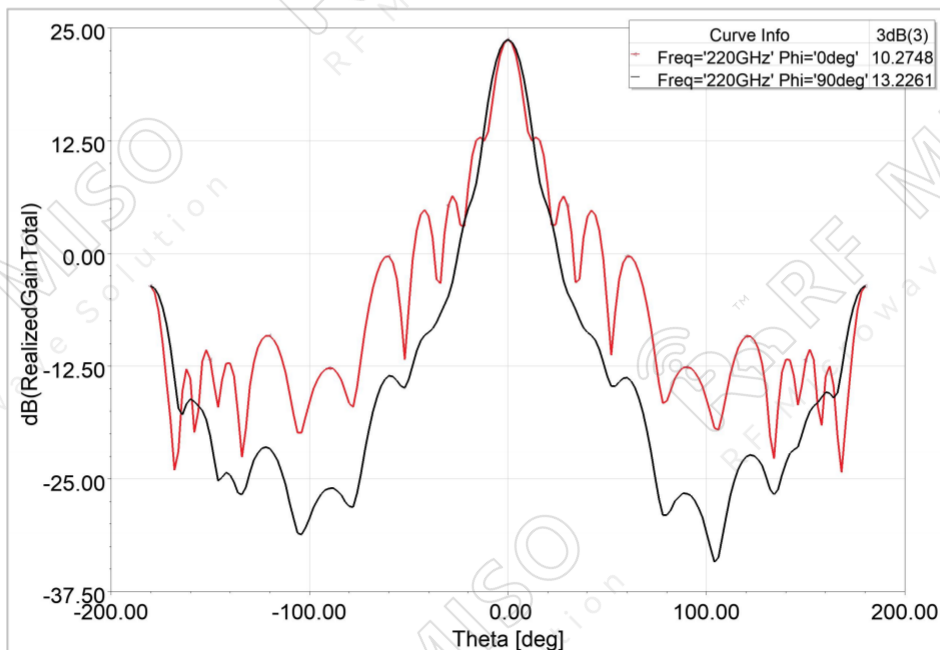
Dual Polarized Horn Antenna Data Sheet

RM-DPHA3-25

Gain



Gain Pattern



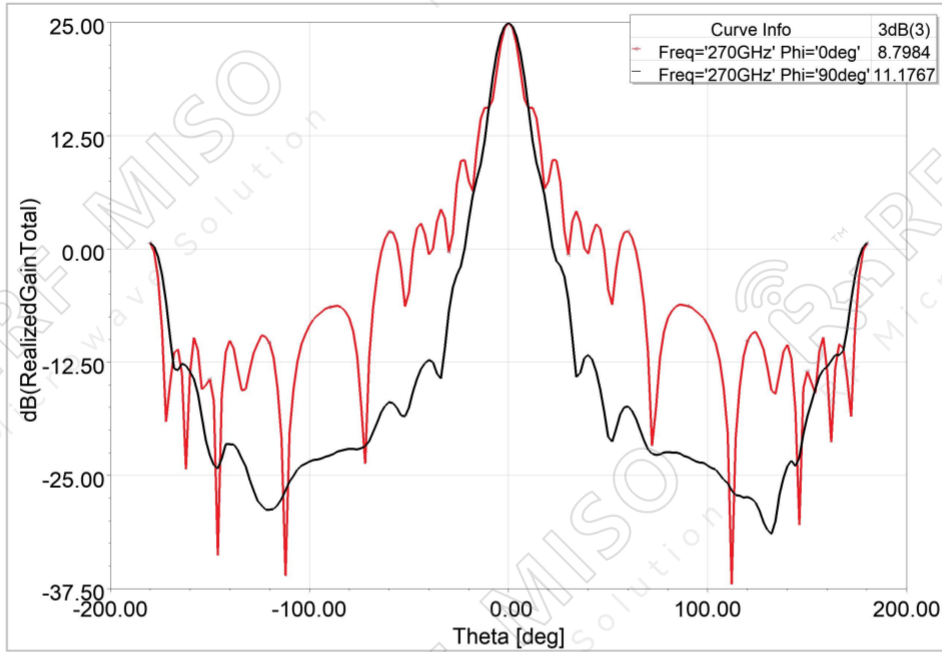
220 GHz



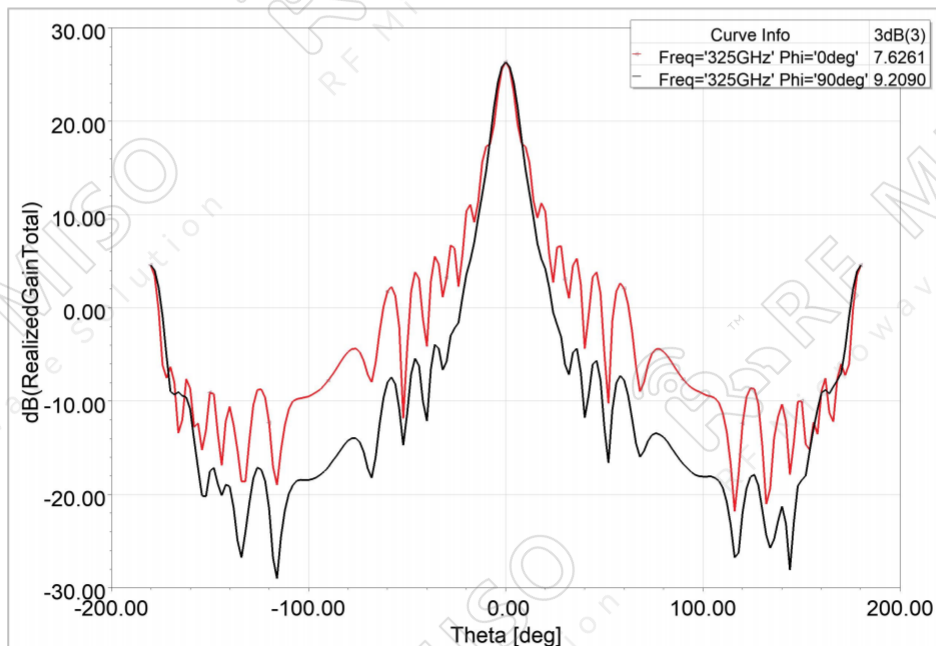
Dual Polarized Horn Antenna
25dBi Typ. Gain, 220-325 GHz Frequency Range

Dual Polarized Horn Antenna Data Sheet

RM-DPHA3-25



270 GHz



325 GHz