

*Dual Polarized Horn Antenna*  
*21dBi Typ.Gain, 42GHz-44GHz Frequency Range*

## Dual Polarized Horn Antenna Data Sheet

**RM-DPHA4244-21**

### Features

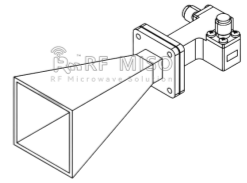
- Full Band Performance
- Dual Polarization
- High Isolation
- Precisely Machined

### Description

The **RM-DPHA4244-21** is a full-band, dual-polarized, horn antenna assembly that operates in the frequency range of 42 to 44 GHz. The antenna features an integrated orthogonal mode converter that provides high port isolation. The RM-DPHA4244-21 has a typical 60 dB cross-polarization isolation, a nominal gain of 21 dBi at the center frequency, a typical 3db beamwidth of 13.82 degrees in the E-plane, a typical 3db beamwidth of 17.36 degrees in the H-plane.

### Specifications

RM-DPHA4244-21		
Item	Specification	Units
Frequency Range	42-44	GHz
Gain	21 Typ.	dBi
VSWR	1.2 Typ.	
Polarization	Dual Linear	
3dB Beam width E plane	13.82 Typ.	Degrees
3dB Beam width H plane	17.36 Typ.	Degrees
Cross Polarization Isolation	60 Typ.	dB
connector	SMA-Female	
Surface Treatment	paint	
Size(L*W*H)	95.8*30.3*32.2(±5)	mm
Weight	0.044	Kg
Material	Al	

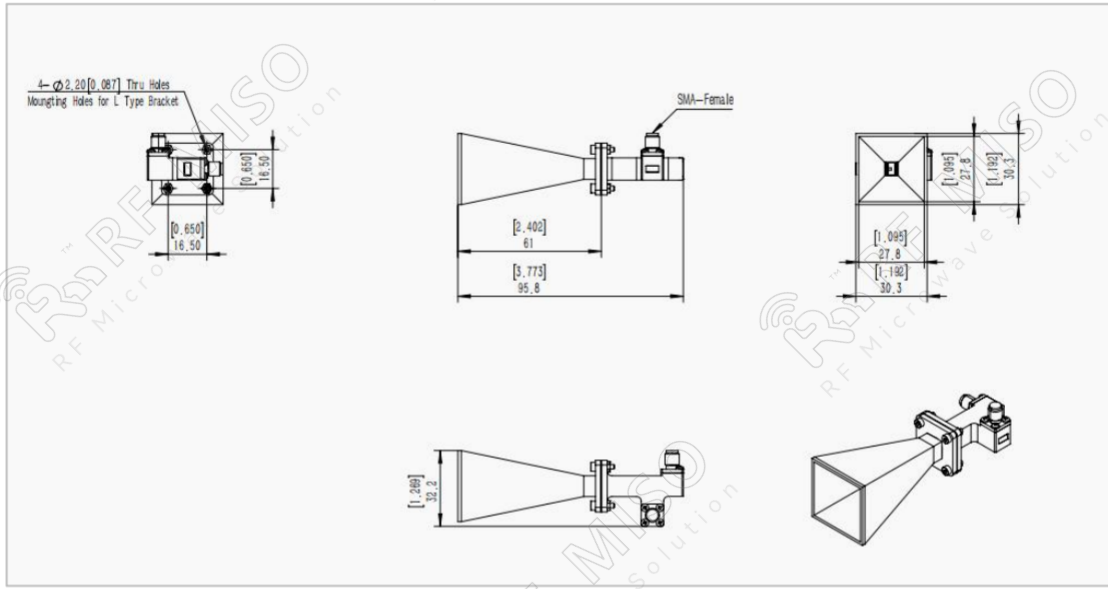


Dual Polarized Horn Antenna  
21dBi Typ.Gain, 42GHz-44GHz Frequency Range

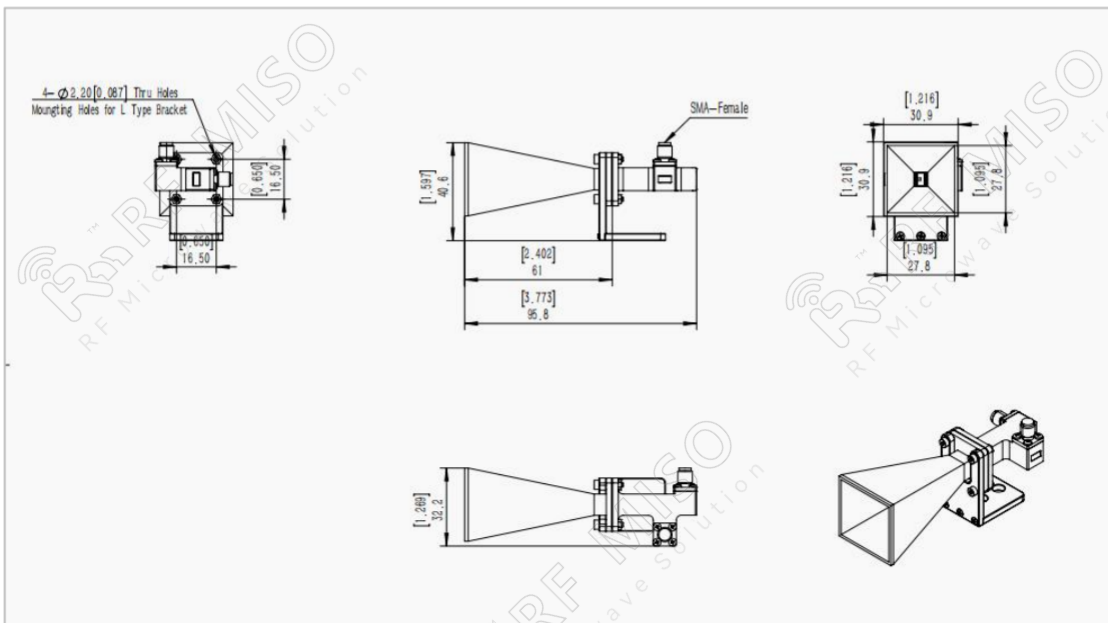
**Dual Polarized Horn Antenna Data Sheet**

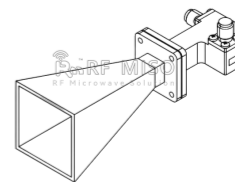
**RM-DPHA4244-21**

**Outline Drawing**



Outline Drawing with Mounting Bracket



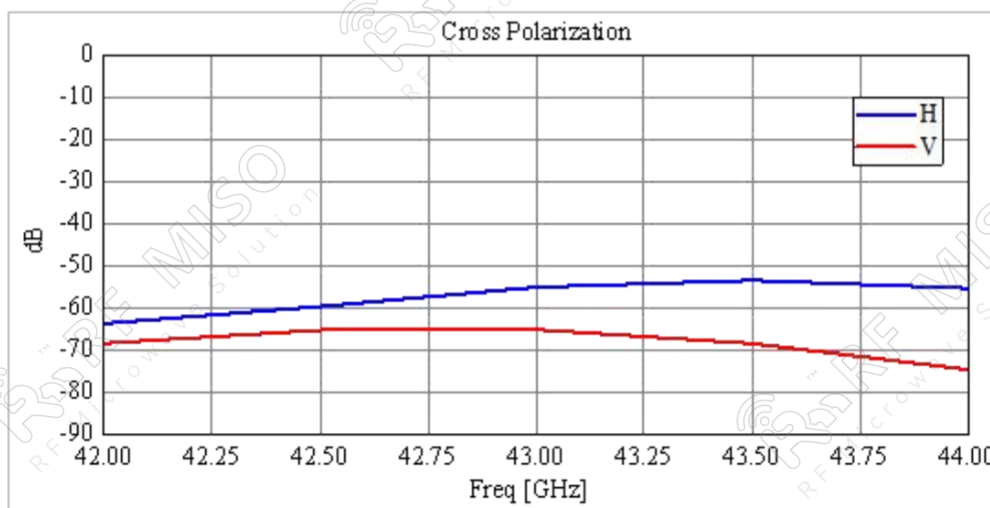
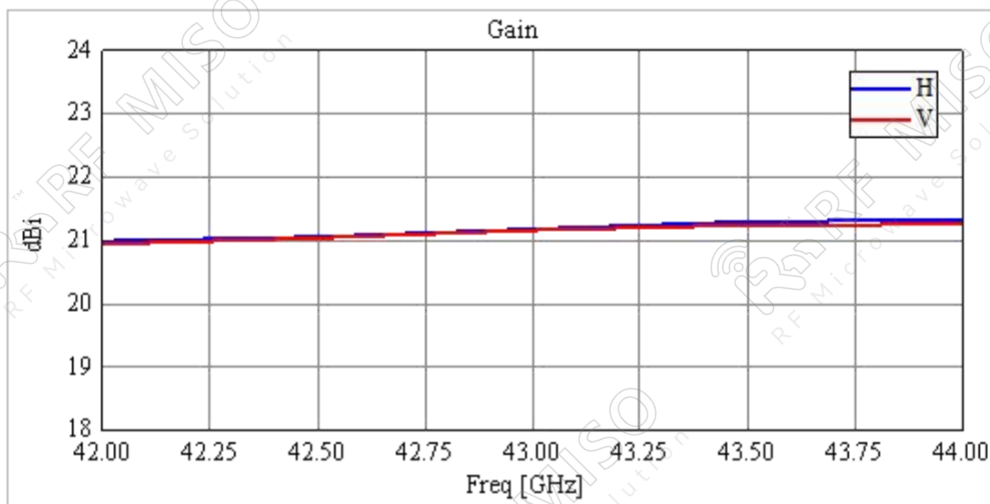


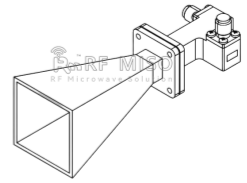
Dual Polarized Horn Antenna  
21dBi Typ. Gain, 42GHz-44GHz Frequency Range

## Dual Polarized Horn Antenna Data Sheet

**RM-DPHA4244-21**

### Simulated Results

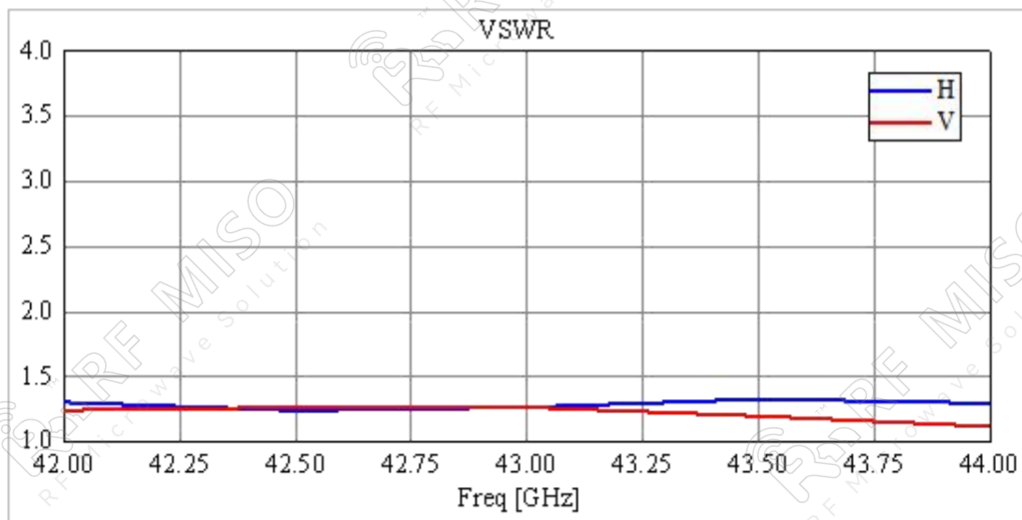
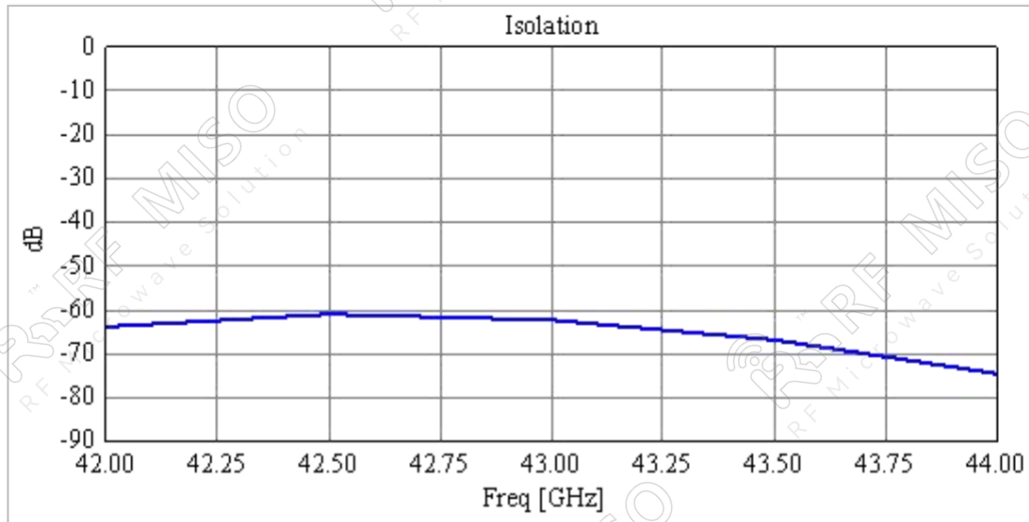


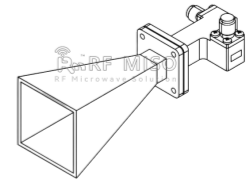


Dual Polarized Horn Antenna  
21dBi Typ. Gain, 42GHz-44GHz Frequency Range

**Dual Polarized Horn Antenna Data Sheet**

**RM-DPHA4244-21**





Dual Polarized Horn Antenna  
21dBi Typ.Gain, 42GHz-44GHz Frequency Range

**Dual Polarized Horn Antenna Data Sheet**

**RM-DPHA4244-21**

**Gain Pattern**

