



*Dual Polarized Horn Antenna
18dBi Typ.Gain, 75GHz-110GHz Frequency Range*

Dual Polarized Horn Antenna Data Sheet

RM-DPHA75110-18

Features

- Full Band Performance
- Dual Polarization
- High Isolation
- Precisely Machined and Gold Plated

Description

The **RM-DPHA75110-18** is a full-band, dual-polarized, WR-10 horn antenna assembly that operates in the frequency range of 75 to 110GHz. The antenna features an integrated orthogonal mode converter that provides high port isolation. The RM-DPHA75110-18 supports vertical and horizontal waveguide orientations and has a typical 40 dB cross-polarization isolation, a nominal gain of 18 dBi at the center frequency, a typical 3db beamwidth of 22 degrees in the H-plane, a typical 3db beamwidth of 33 degrees in the V-plane. The input to the antenna is a WR-10 waveguide with a UG-387/U-M threaded flange.

Specifications

RM-DPHA75110-18		
Item	Specification	Units
Frequency Range	75-110	GHz
Gain	18 Typ.	dBi
VSWR	1.4:1 Typ.	
Polarization	Dual	
3dB Beam width H plane	22 Typ.	Degrees
3dB Beam width V plane	33 Typ.	Degrees
Port Isolation	45 Typ.	dB
Waveguide Size	WR-10	
Flange Designation	UG-387/U-Mod	
Size	52.2*20*20	mm
Weight	0.077	Kg
Body Material and Finish	Cu, Gold	

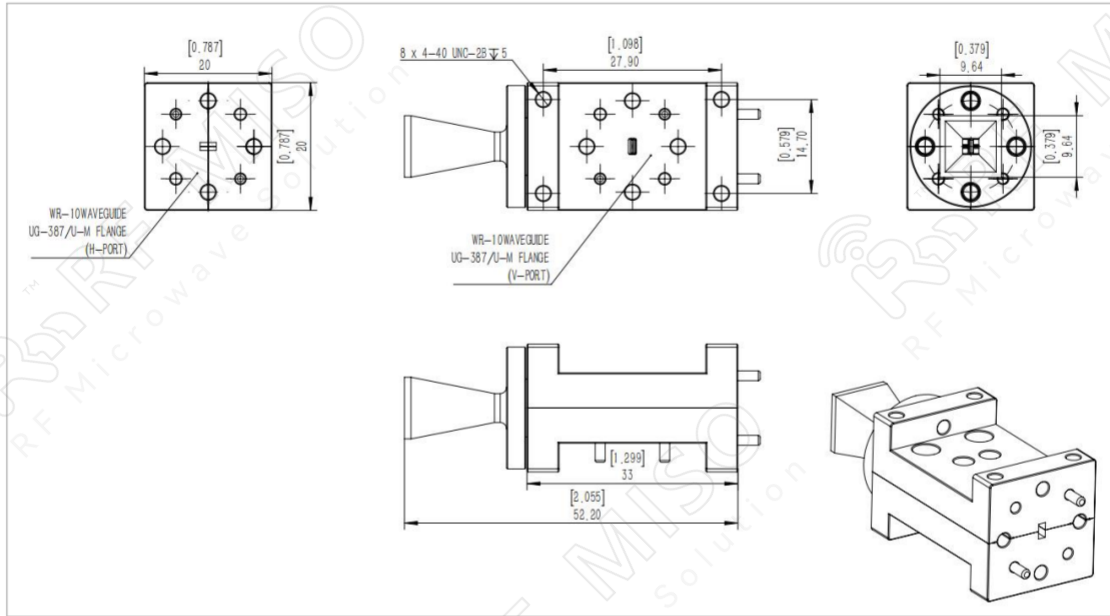


Dual Polarized Horn Antenna
18dBi Typ.Gain, 75GHz-110GHz Frequency Range

Dual Polarized Horn Antenna Data Sheet

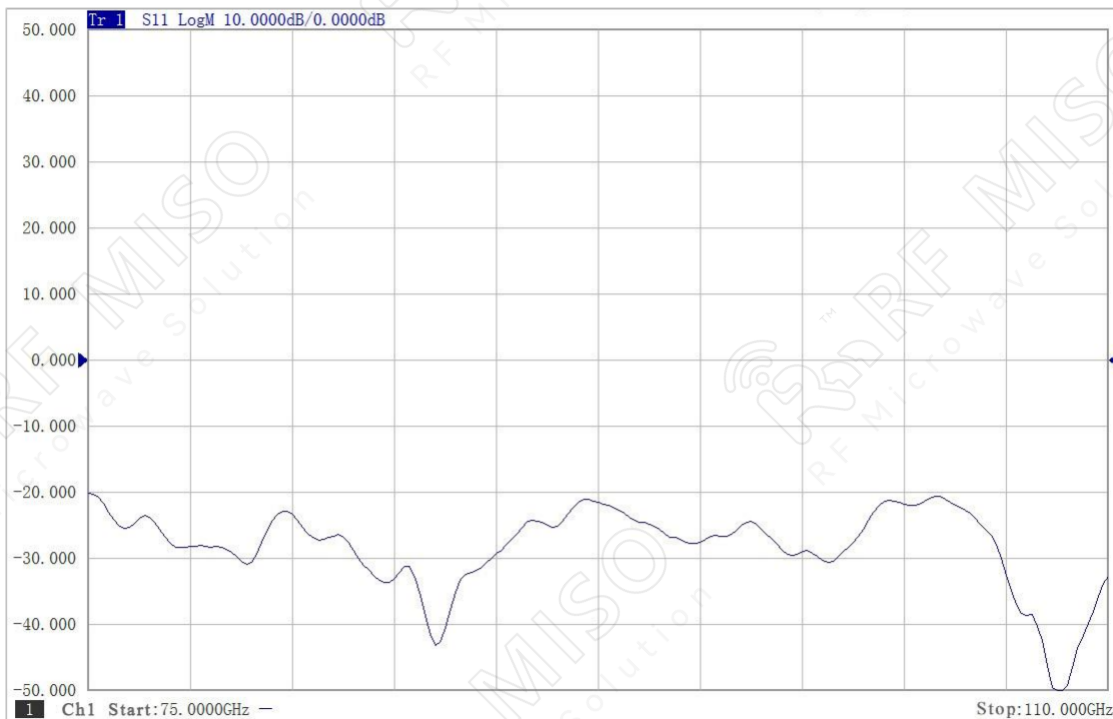
RM-DPHA75110-18

Outline Drawing



Testing Result

VSWR



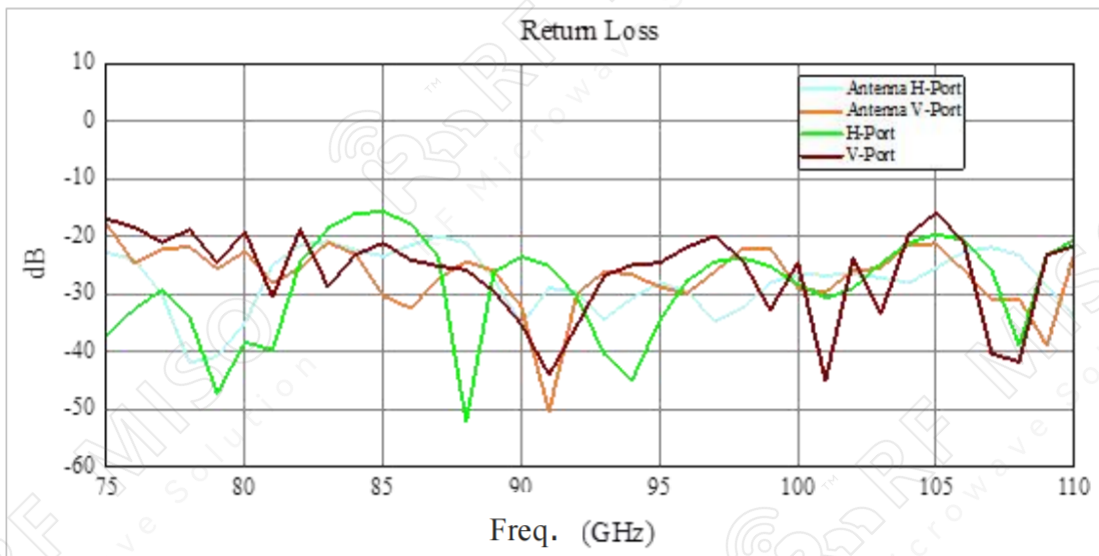
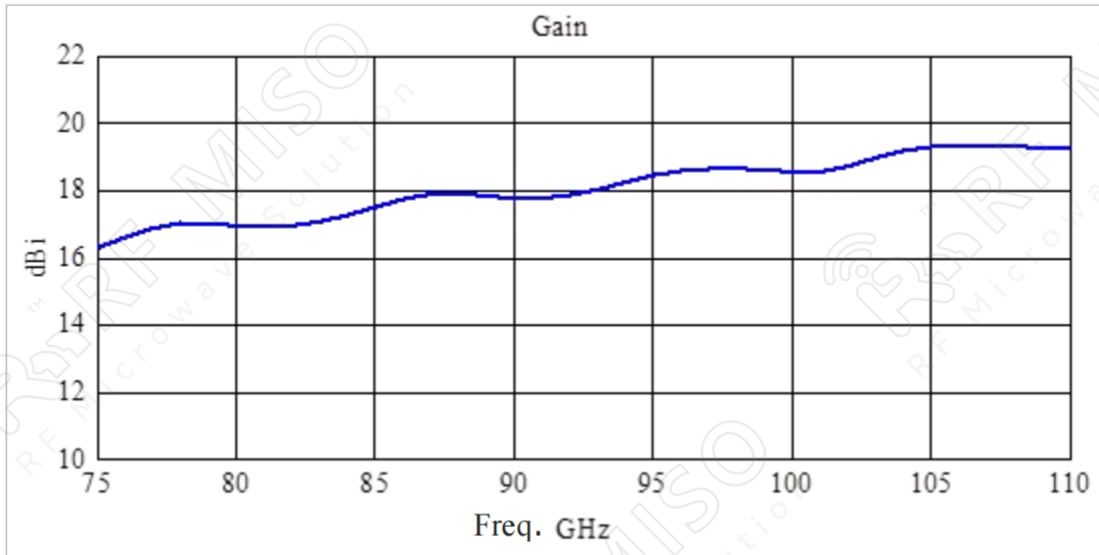


Dual Polarized Horn Antenna
18dBi Typ.Gain, 75GHz-110GHz Frequency Range

Dual Polarized Horn Antenna Data Sheet

RM-DPHA75110-18

Simulated Data

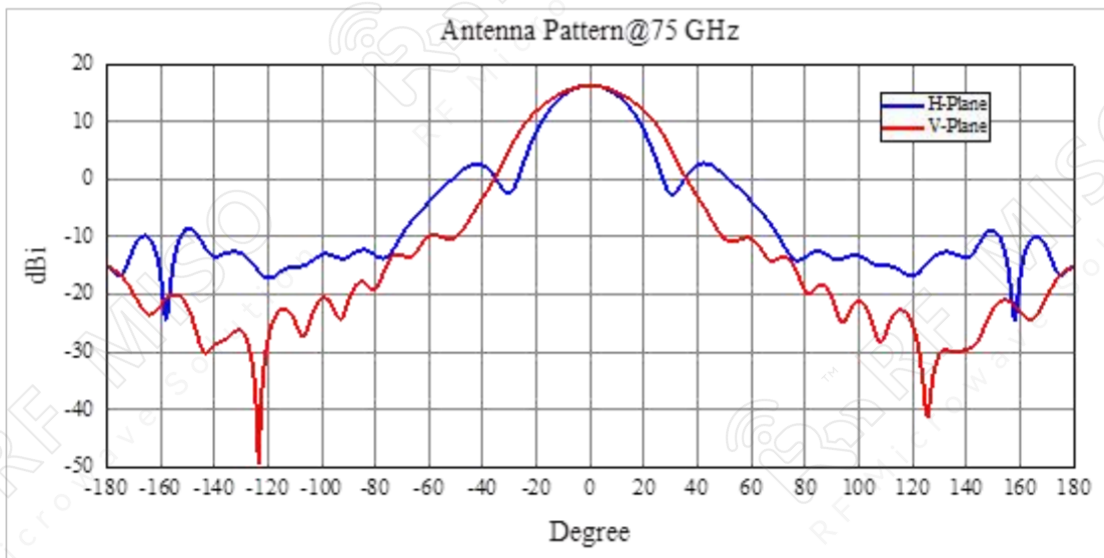
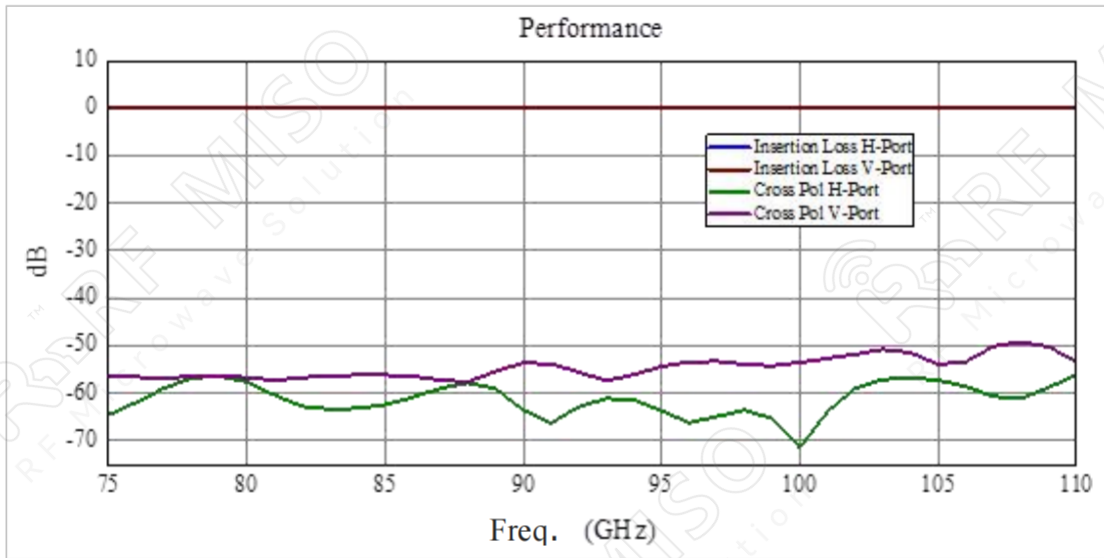




Dual Polarized Horn Antenna
18dBi Typ.Gain, 75GHz-110GHz Frequency Range

Dual Polarized Horn Antenna Data Sheet

RM-DPHA75110-18





Dual Polarized Horn Antenna
18dBi Typ.Gain, 75GHz-110GHz Frequency Range

Dual Polarized Horn Antenna Data Sheet

RM-DPHA75110-18

