

*Dual Polarized Horn Antenna*  
*19dBi Typ. Gain, 93-95GHz Frequency Range*

**Dual Polarized Horn Antenna Data Sheet**

**RM-DPHA9395-19**

**Features**

- WR-10 Rectangular Waveguide Interface
- Dual Polarization
- High Port Isolation
- Precisely Machined and Gold plated

**Description**

The **RM-DPHA9395-19** from RF MISO is a W-Band, dual polarized, WR-10 horn antenna assembly that operates in the frequency range of 93GHz to 95GHz. The antenna features an integrated orthogonal mode converter that provides high port isolation. The RM-DPHA9395-19 supports vertical and horizontal waveguide orientations with a typical 30 dB cross polarization suppression, typical 45dB port isolation between the horizontal and vertical ports, a nominal gain of 19 dBi at the center frequency. The input of this antenna is a WR-10 waveguide with flange.

**Specifications**

<b>RM-DPHA9395-19</b>		
Item	Specification	Units
Frequency Range	93-95	GHz
Gain	19 Typ.	dBi
VSWR	1.5:1 Typ.	
Polarization	Dual	
Port Isolation	40 Typ.	dB
Cross Polarization	30 Typ.	dB
Interface	WR-10	
Finishing	Gold Plated	
Material	Cu	
Size	Φ 19.10*65.0	mm
Weight	0.087	Kg

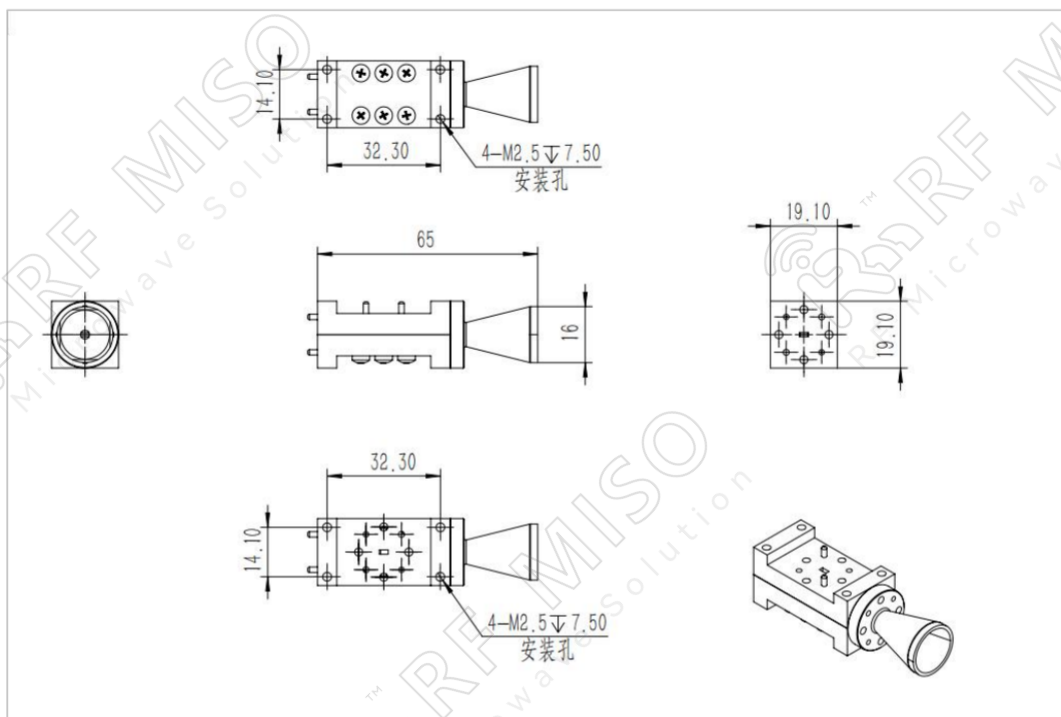


Dual Polarized Horn Antenna  
19dBi Typ. Gain, 93-95GHz Frequency Range

## Dual Polarized Horn Antenna Data Sheet

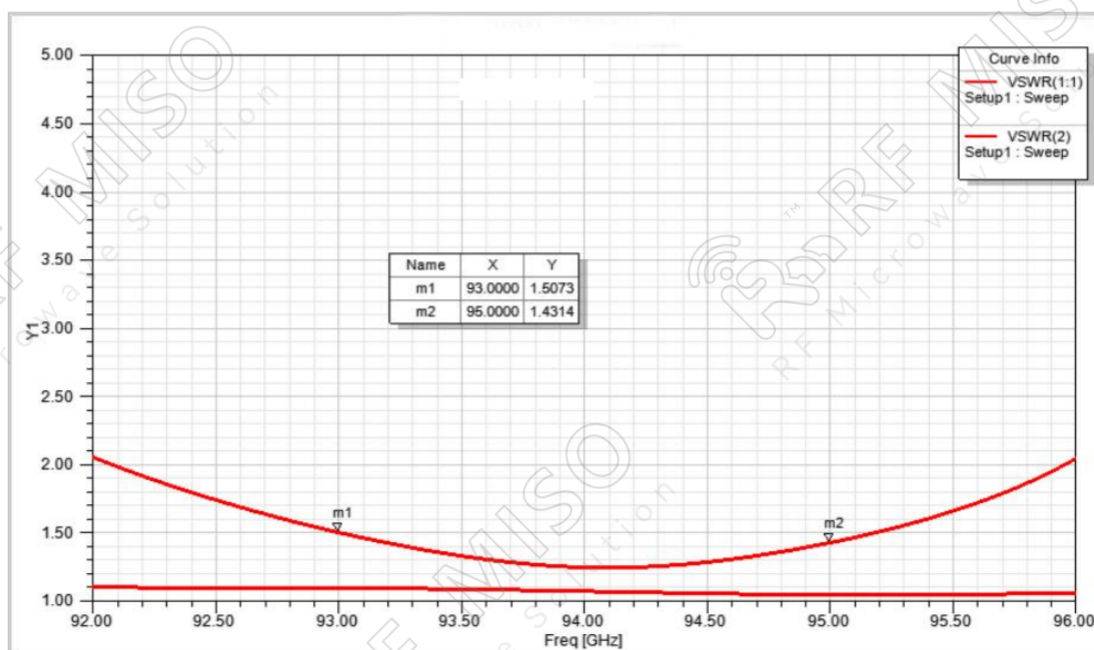
**RM-DPHA9395-19**

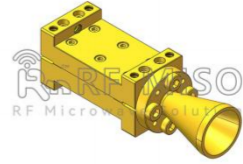
### Outline Drawing



### Simulated Data

#### VSWR



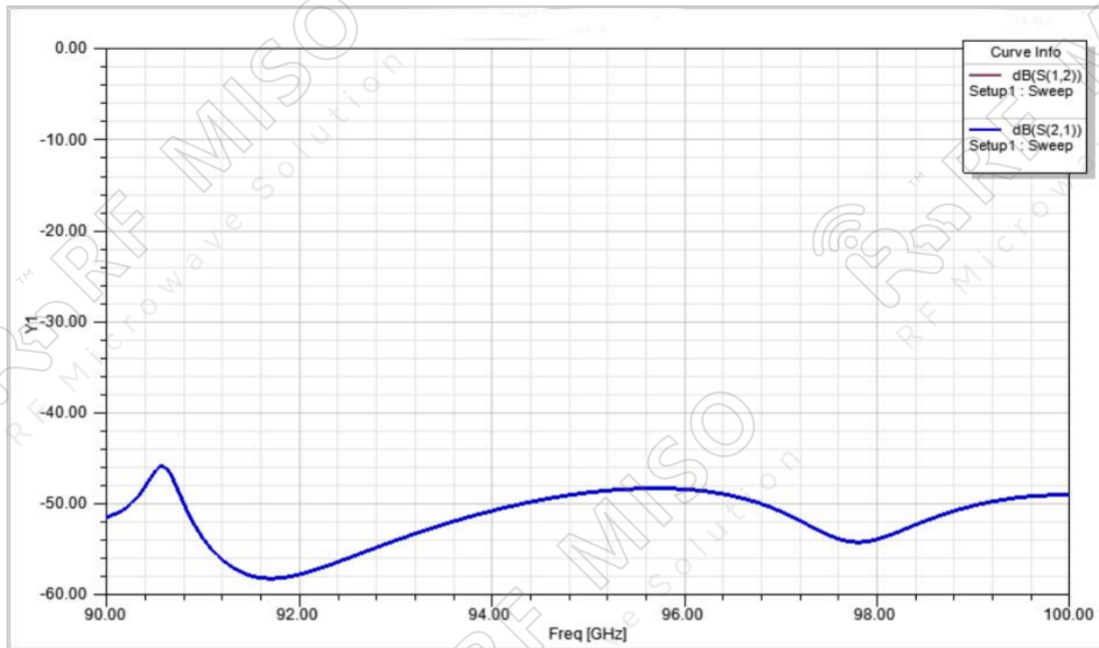


Dual Polarized Horn Antenna  
19dBi Typ. Gain, 93-95GHz Frequency Range

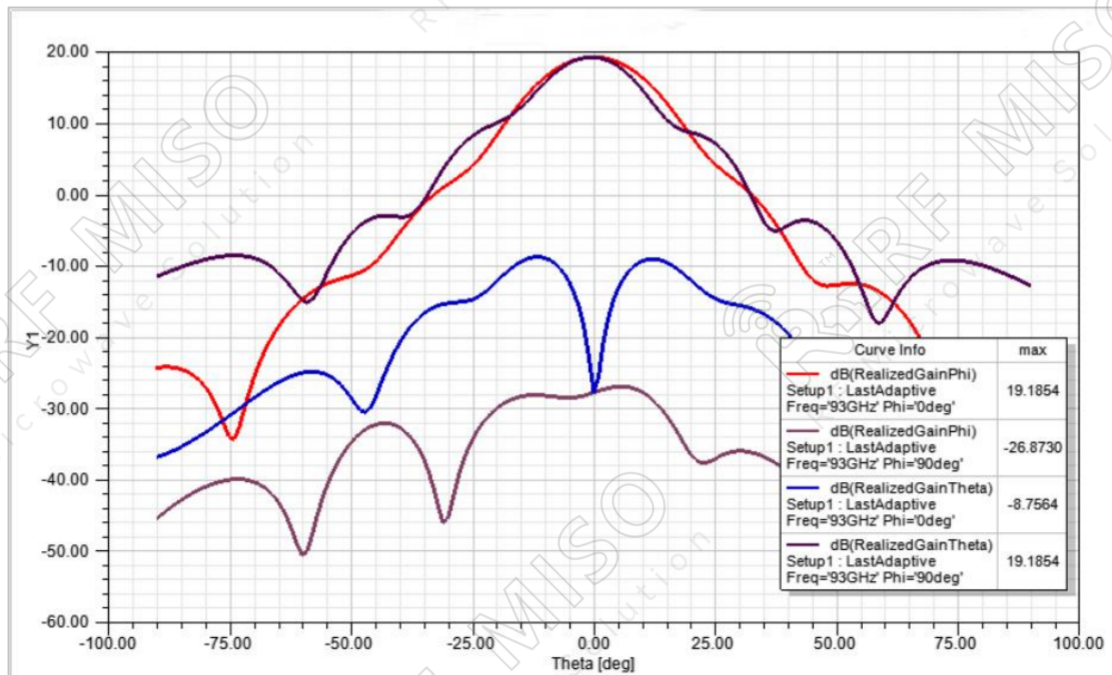
**Dual Polarized Horn Antenna Data Sheet**

**RM-DPHA9395-19**

**Port Isolation**



**Gain Pattern**





Dual Polarized Horn Antenna  
19dBi Typ. Gain, 93-95GHz Frequency Range

**Dual Polarized Horn Antenna Data Sheet**

**RM-DPHA9395-19**

