

*End Launch Waveguide to Coaxial Adapter
26.5-40GHz Frequency Range*

End Launch Waveguide to Coaxial Adapter Date Sheet

RM-EWCA28

Features

- Full Waveguide Band Performance
- Low Insertion Loss and VSWR
- Test Lab
- Instrumentation

Descriptions

The **RM-EWCA28** are end launch waveguide to coaxial adapters that operate the frequency range of 26.5-40GHz. They are designed and manufactured for instrumentation grade quality but offered at a commercial grade price, allowing for an efficient transition between the rectangular waveguide and 2.4mm female coaxial connector.

Specifications

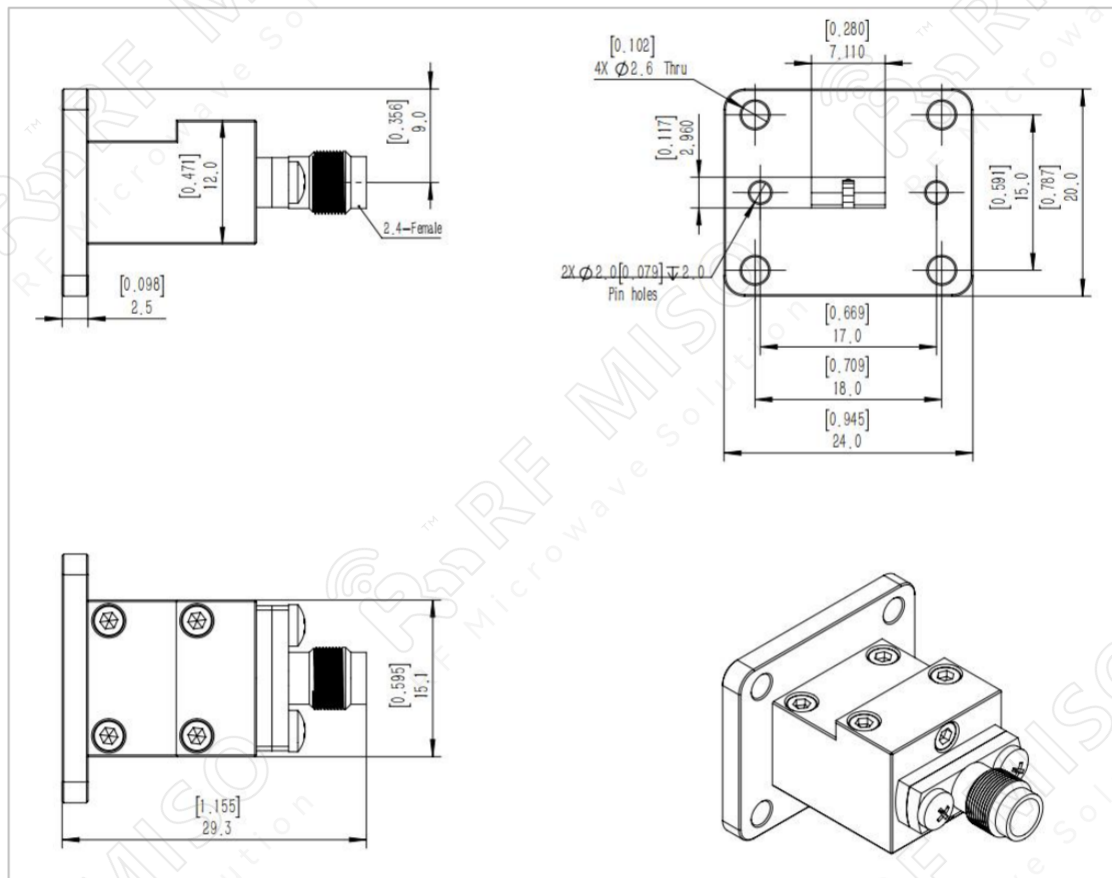
RM-EWCA28		
Item	Specification	Units
Frequency Range	26.5-40	GHz
Waveguide	WR28	dBi
VSWR	1.2 Max	
Insertion Loss	0.5 Max	dB
Return Loss	28 Typ.	dB
Flange	FBP320	
Connector	2.4mm female	
Peak Power	0.02	kW
Material	Al	
Size(L*W*H)	29.3*24*20(±5)	mm
Net Weight	0.01	Kg

End Launch Waveguide to Coaxial Adapter
26.5-40GHz Frequency Range

End Launch Waveguide to Coaxial Adapter Date Sheet

RM-EWCA28

Outline Drawing



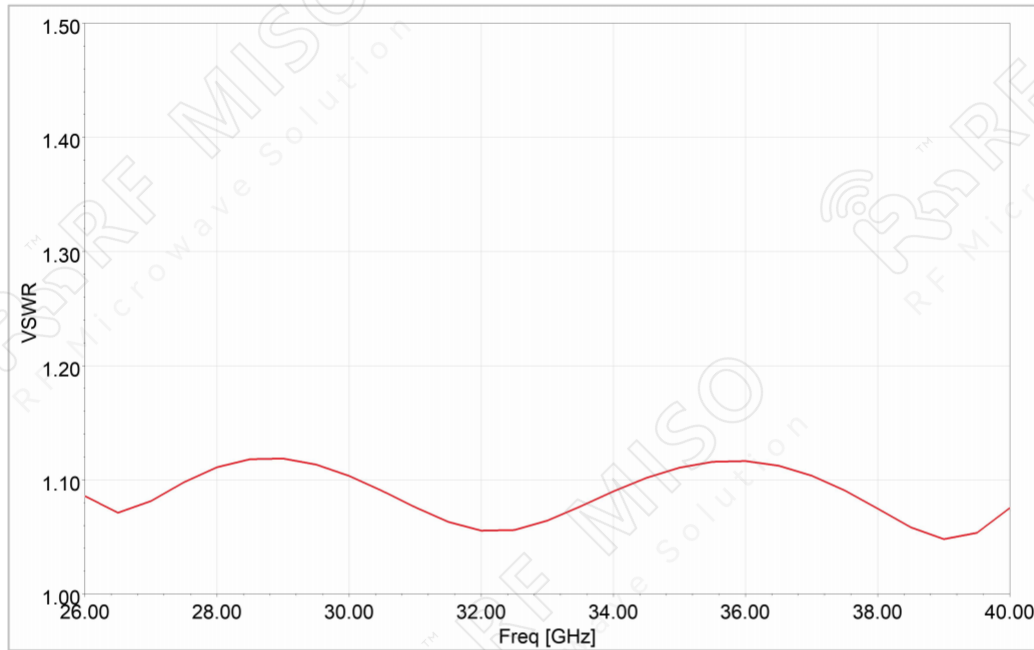
End Launch Waveguide to Coaxial Adapter
26.5-40GHz Frequency Range

End Launch Waveguide to Coaxial Adapter Date Sheet

RM-EWCA28

Simulation Data

VSWR



Return Loss

