

*End Launch Waveguide to Coaxial Adapter
18-26.5GHz Frequency Range*

End Launch Waveguide to Coaxial Adapter Date Sheet

RM-EWCA42

Features

- Full Waveguide Band Performance
- Low Insertion Loss and VSWR
- Test Lab
- Instrumentation

Specifications

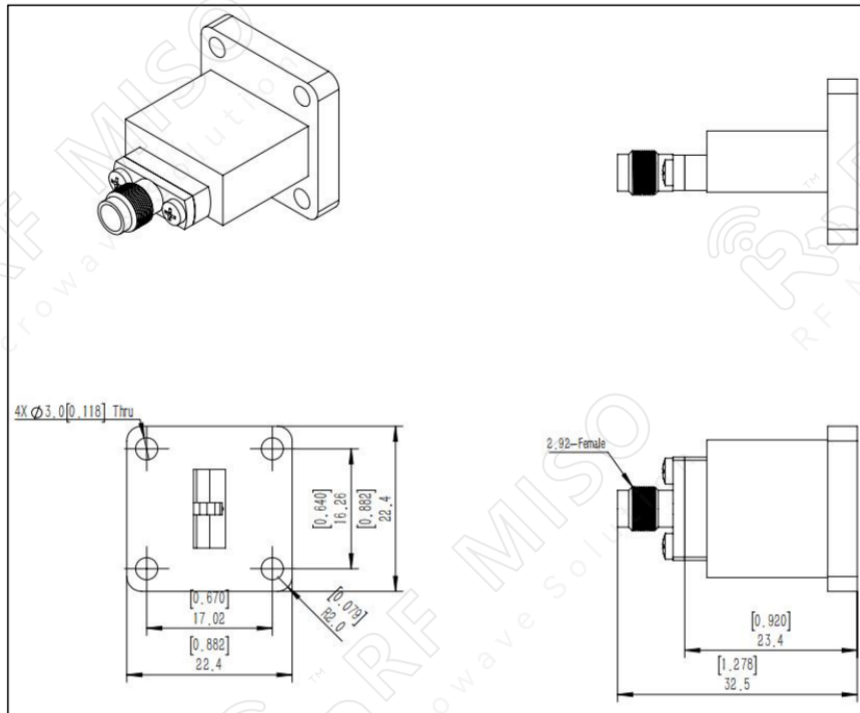
RM-EWCA42		
Item	Specification	Units
Frequency Range	18-26.5	GHz
Waveguide	WR42	
VSWR	1.3 Max	
Insertion Loss	0.4 Max	dB
Flange	FBP220	
Connector	2.92mm-F	
Average Power	50 Max	W
Peak Power	0.1	kW
Material	Al	
Size(L*W*H)	32.5*822.4*22.4(±5)	mm
Net Weight	0.011	Kg

End Launch Waveguide to Coaxial Adapter
18-26.5GHz Frequency Range

End Launch Waveguide to Coaxial Adapter Date Sheet

RM-EWCA42

Outline Drawing



VSWR

