

*Log Periodic Antenna 6.5dBi Typ. Gain, 0.1-2GHz
Frequency Range*

Log Periodic Antenna Data Sheet

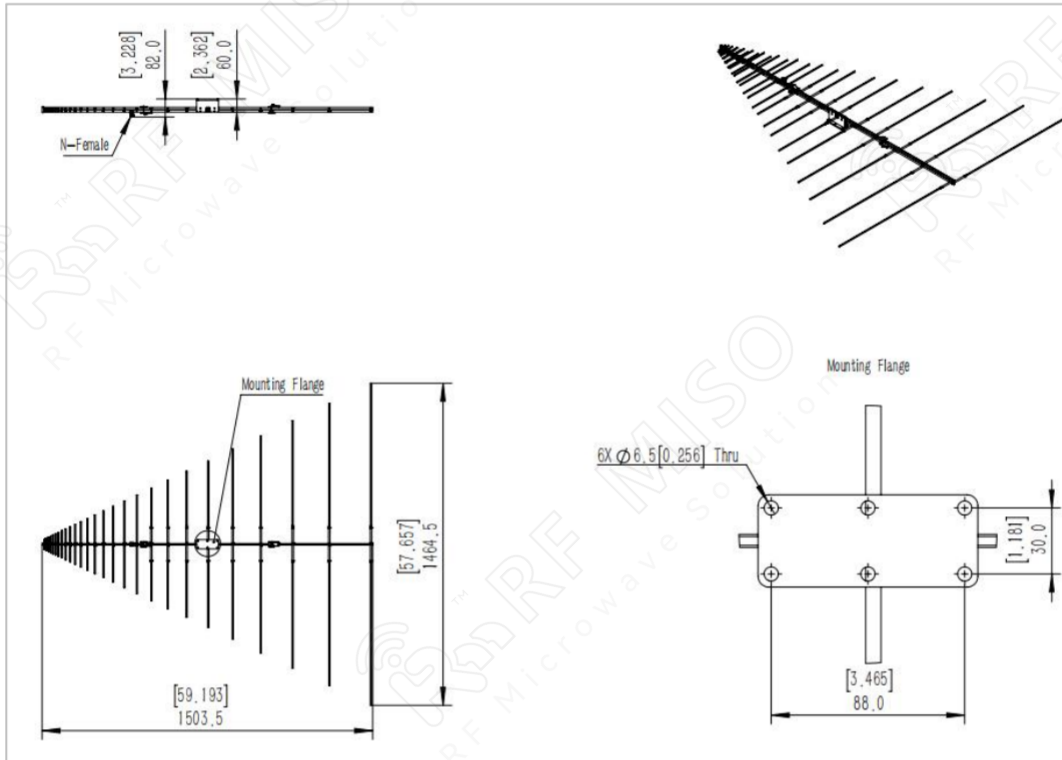
Specifications

RM-LPA012-6		
Parameters	Specifications	Units
Frequency Range	0.1-2	GHz
Gain	6 Typ.	dBi
VSWR	1.2 Typ.	
Polarization	Linear-polarized	
Connector	N-Female	
Average Power	300	W
Peak Power	3000	W
Size(L*W*H)	1503.5*1464.5 *82(±5)	mm
Weight	1.071	Kg

Log Periodic Antenna 6.5dBi Typ. Gain, 0.1-2GHz
Frequency Range

Log Periodic Antenna Data Sheet

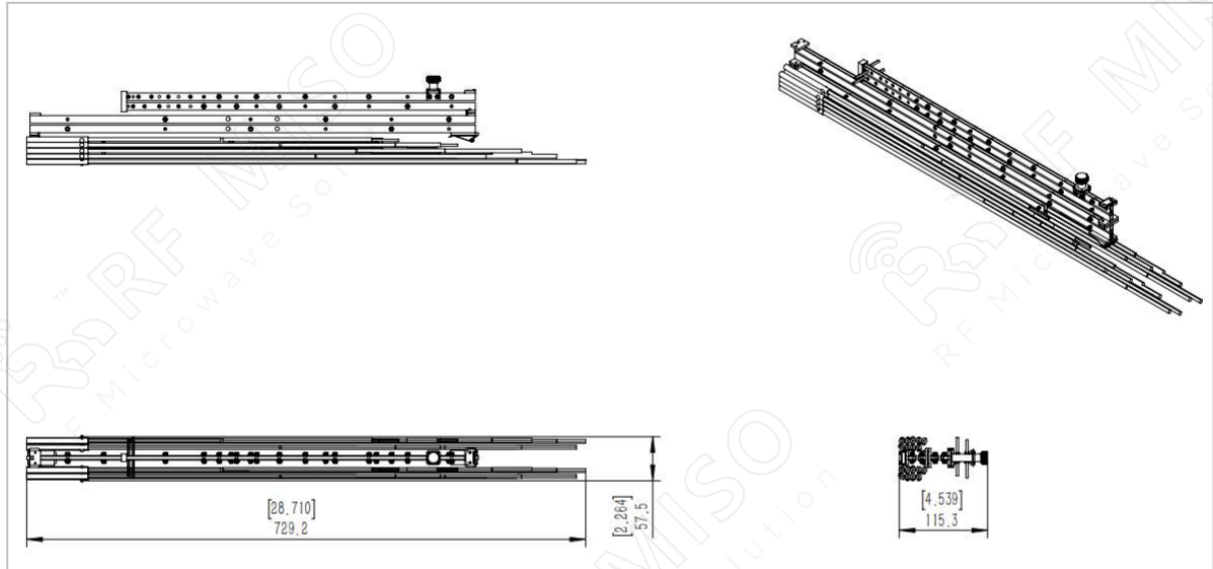
Outline Drawing



Log Periodic Antenna 6.5dBi Typ. Gain, 0.1-2GHz
Frequency Range

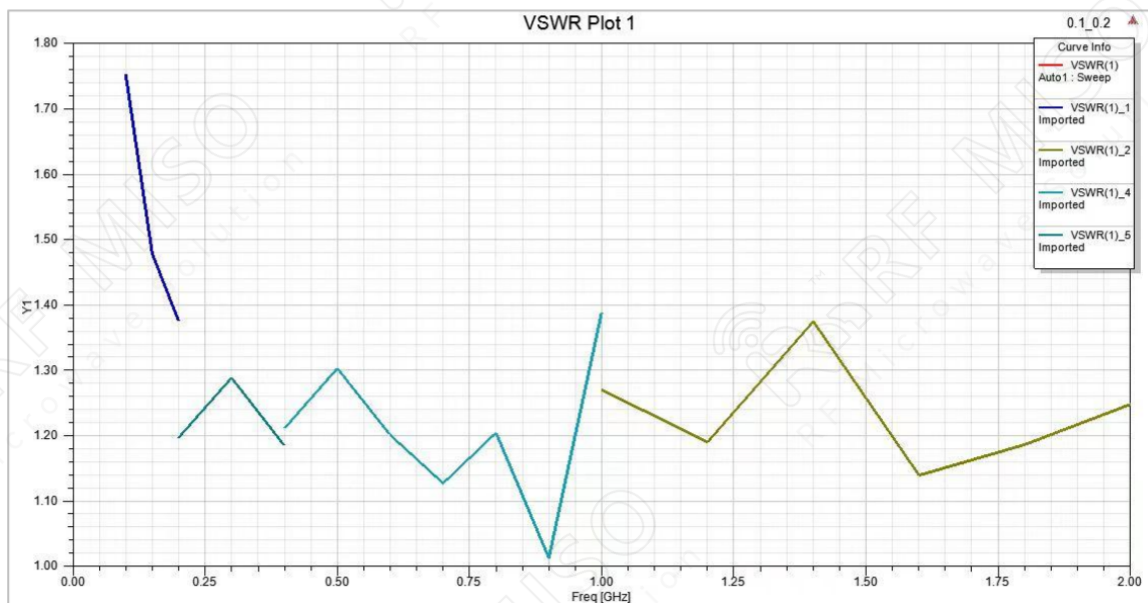
Log Periodic Antenna Data Sheet

Outline Drawing_after folding



Simulation Results:

VSWR



Log Periodic Antenna 6.5dBi Typ. Gain, 0.1-2GHz
Frequency Range

Log Periodic Antenna Data Sheet

Gain

