

log periodic antenna 6 dBi Typ. Gain, 0.4-3 GHz
Frequency Range



Log Periodic Antenna Data Sheet

RM-LPA043-6

Features

- Foldable
- Low VSWR
- Light Weight
- Rugged Construction
- Ideal for EMC testing

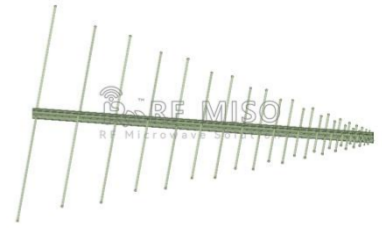
Descriptions

RF MISO's **Model RM-LPA043-6** is log periodic antenna that operates from 0.4 to 3 GHz, The antenna offers 6 dBi typical gain. The antenna VSWR is less than 1.5. The antenna RF ports are N-Female connector. The antenna can be widely used in EMI detection, orientation, reconnaissance, antenna gain and pattern measurement and other application fields.

Specifications

RM-LPA043-6		
Parameters	Typical	Units
Frequency Range	0.4-3	GHz
Gain	6 Typ.	dBi
VSWR	1.5 Typ.	
Polarization	Linear	
Antenna Form	Logarithmic antenna	
Connector	N-Female	
Material	Al	
Size (L*W*H)	751.1*713.1*62 (±5)	mm
Weight	0.747	kg

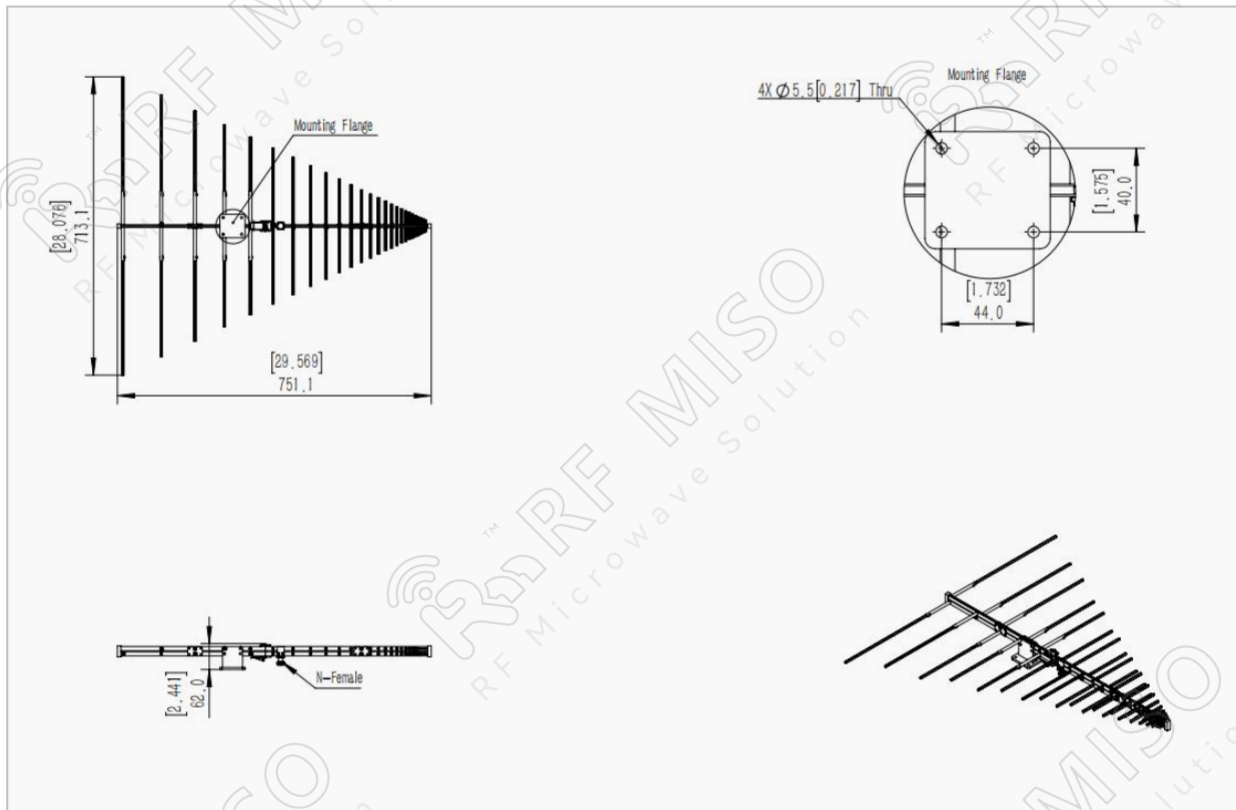
log periodic antenna 6 dBi Typ. Gain, 0.4-3 GHz
Frequency Range



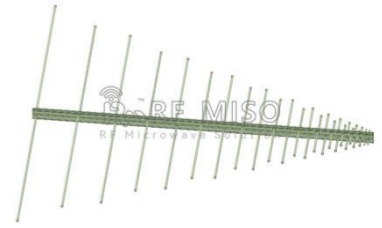
Log Periodic Antenna Data Sheet

RM-LPA043-6

Outline Drawing



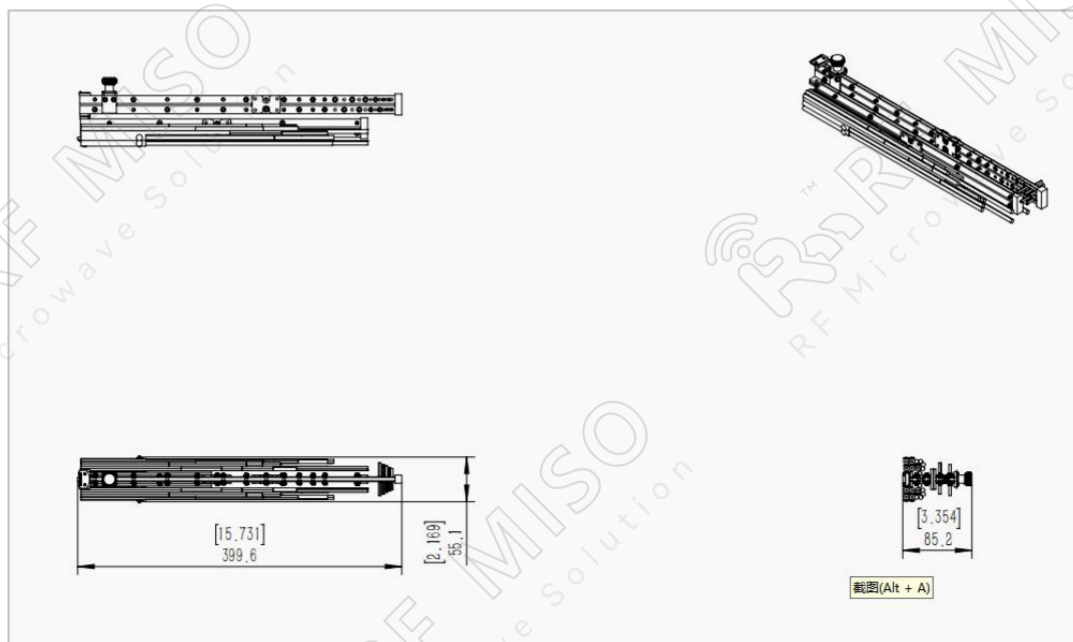
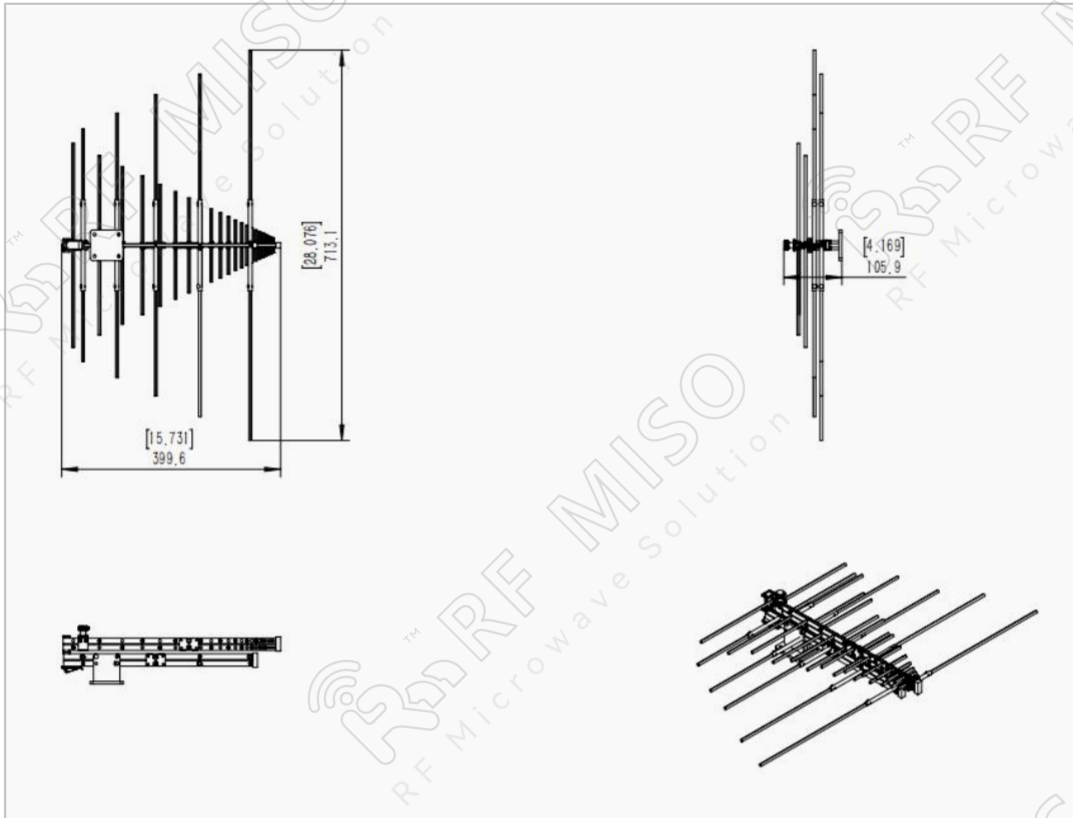
log periodic antenna 6 dBi Typ. Gain, 0.4-3 GHz
Frequency Range



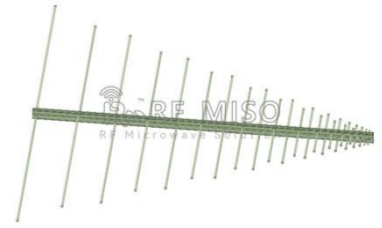
Log Periodic Antenna Data Sheet

RM-LPA043-6

Outline Drawing_After Folding



log periodic antenna 6 dBi Typ. Gain, 0.4-3 GHz
Frequency Range

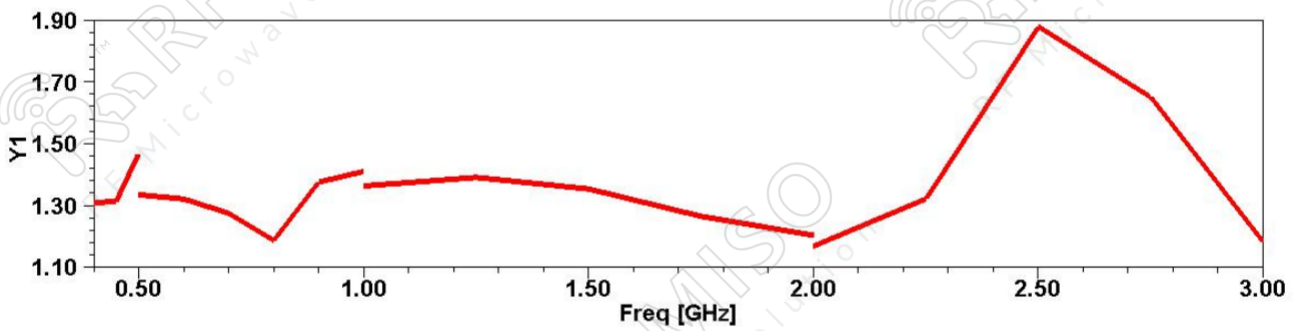


Log Periodic Antenna Data Sheet

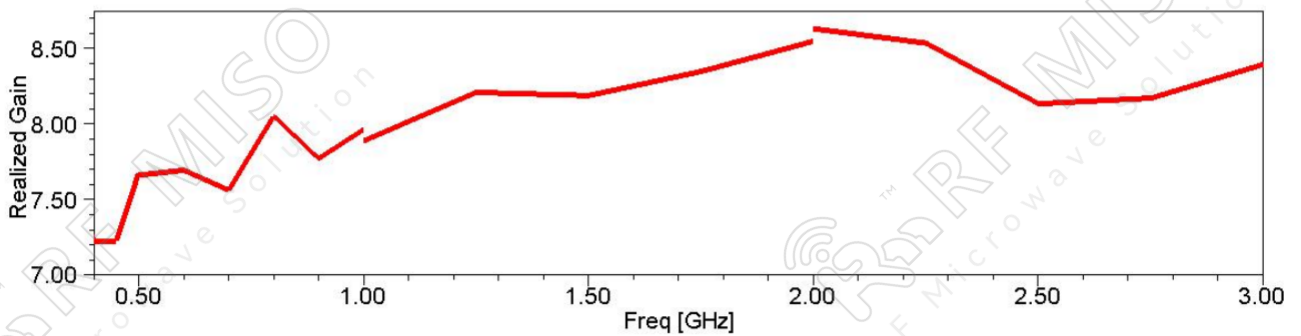
RM-LPA043-6

Testing Data

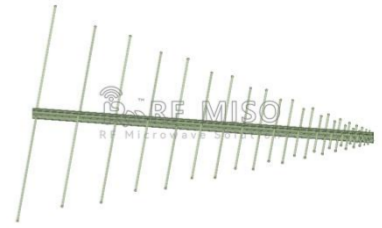
VSWR



Gain



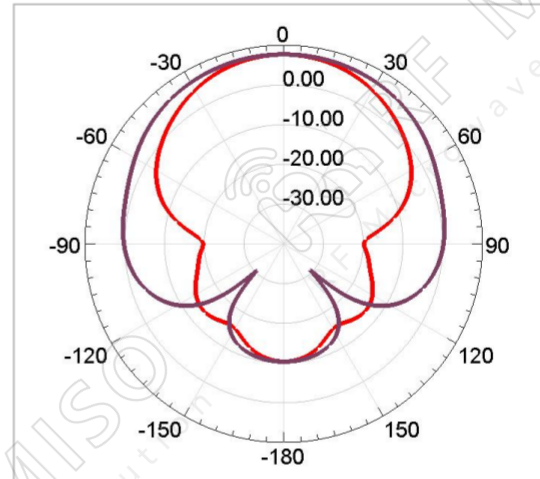
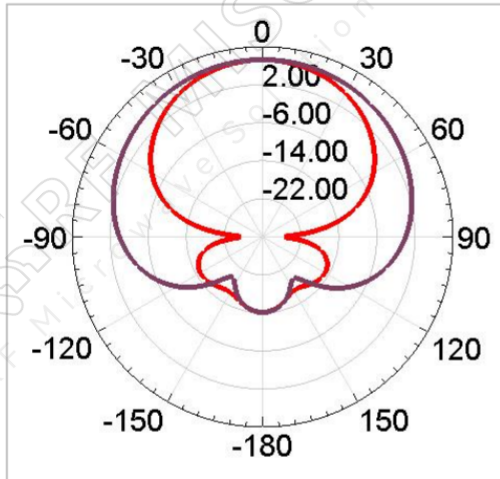
log periodic antenna 6 dBi Typ. Gain, 0.4-3 GHz
Frequency Range



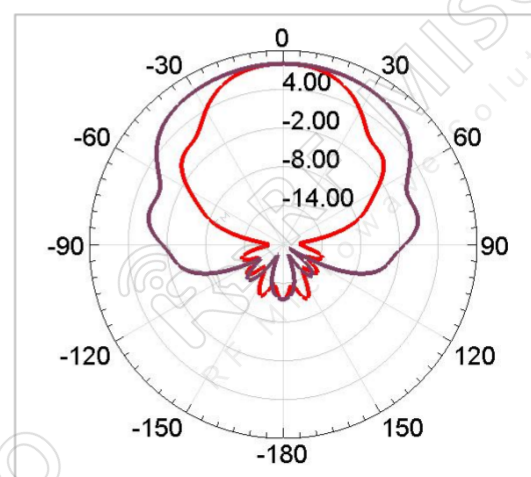
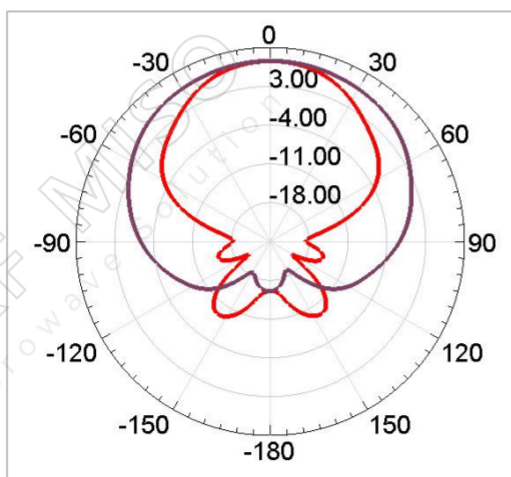
Log Periodic Antenna Data Sheet

RM-LPA043-6

Gain Patterns



Frequency Range		0.4G	0.5G
3db beam width (deg)	E-Plane	66.51	59.32
	H-Plane	118.50	100.62



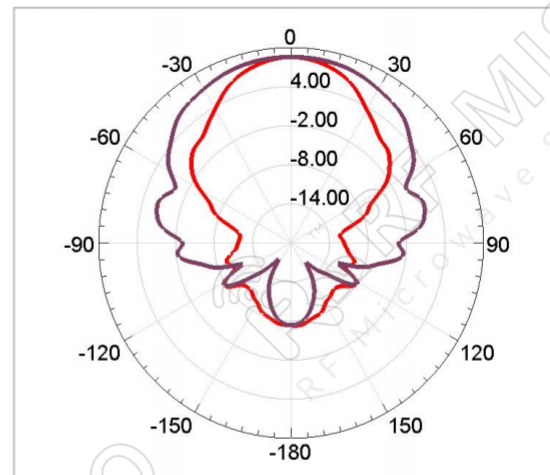
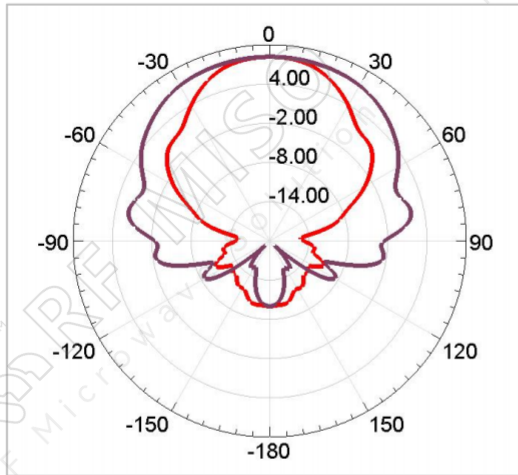
Frequency Range		0.7G	1G
3db beam width (deg)	E-Plane	57.63	53.12
	H-Plane	109.80	102.79

log periodic antenna 6 dBi Typ. Gain, 0.4-3 GHz
Frequency Range

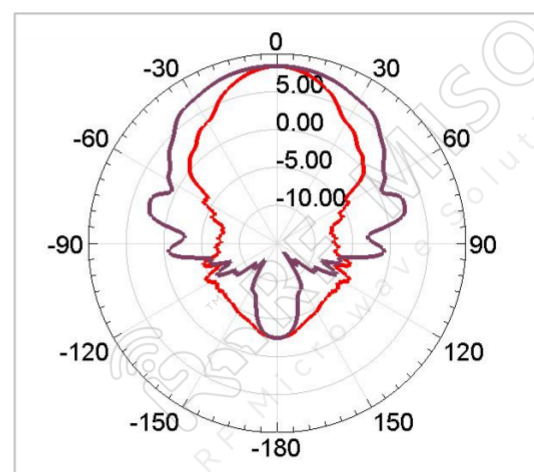
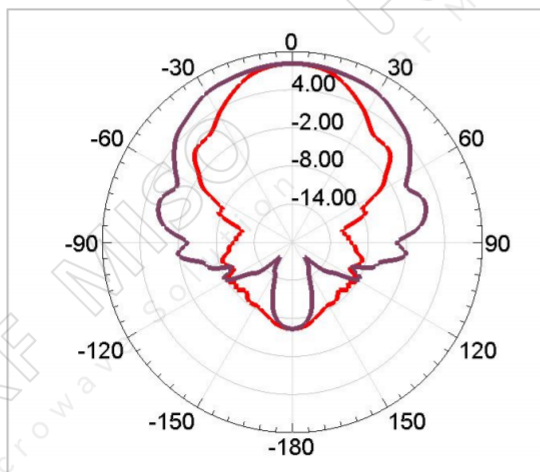


Log Periodic Antenna Data Sheet

RM-LPA043-6



Frequency Range		1.5G	2G
3db beam width (deg)	E-Plane	50.11	46.63
	H-Plane	94.34	87.55



Frequency Range		2.5G	3G
3db beam width (deg)	E-Plane	45.27	44.11
	H-Plane	88.12	82.51